

chargeuse

mettoyuse

S MC 750N

John Deere

CONCESSIONAIRES
SOMECA

ETS FÈVRE

SOCIÉTÉ ANONYME AU CAPITAL DE 200.000 F

16, rue Étienne-Pédron - TROYES (AUBE)

Même Maison à RILLY-SAINT-SYRE (Aube)

Tél. TROYES { 43-14-78
43-05-84
43-17-19
C. C. P. Paris 13.849-28
R. COM. TROYES 56 B 70

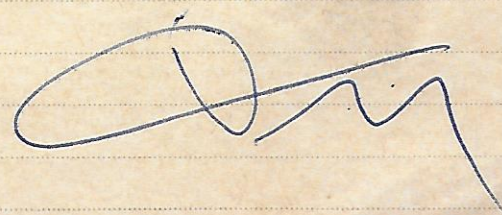
BON DE LIVRAISON N° 005511

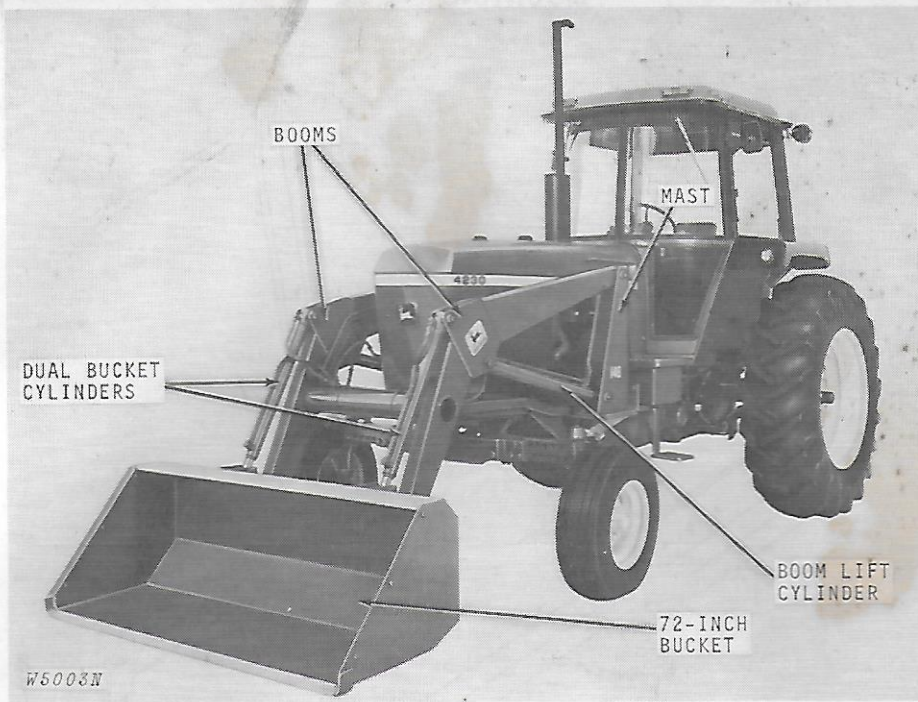
Rappelez ce N° sur tous documents
relatifs à cette commande.

GAEC de Raduicy
Pruicy

TROYES, le 2-9-77
Date de livraison
Mode d'expédition FIAT
Vente N°
Paiement

1 chargeuse métrolyseuse SMC 750M
Occasion





John Deere 148 Farm Loader on John Deere 4230 Tractor
Manufactured (1973-)

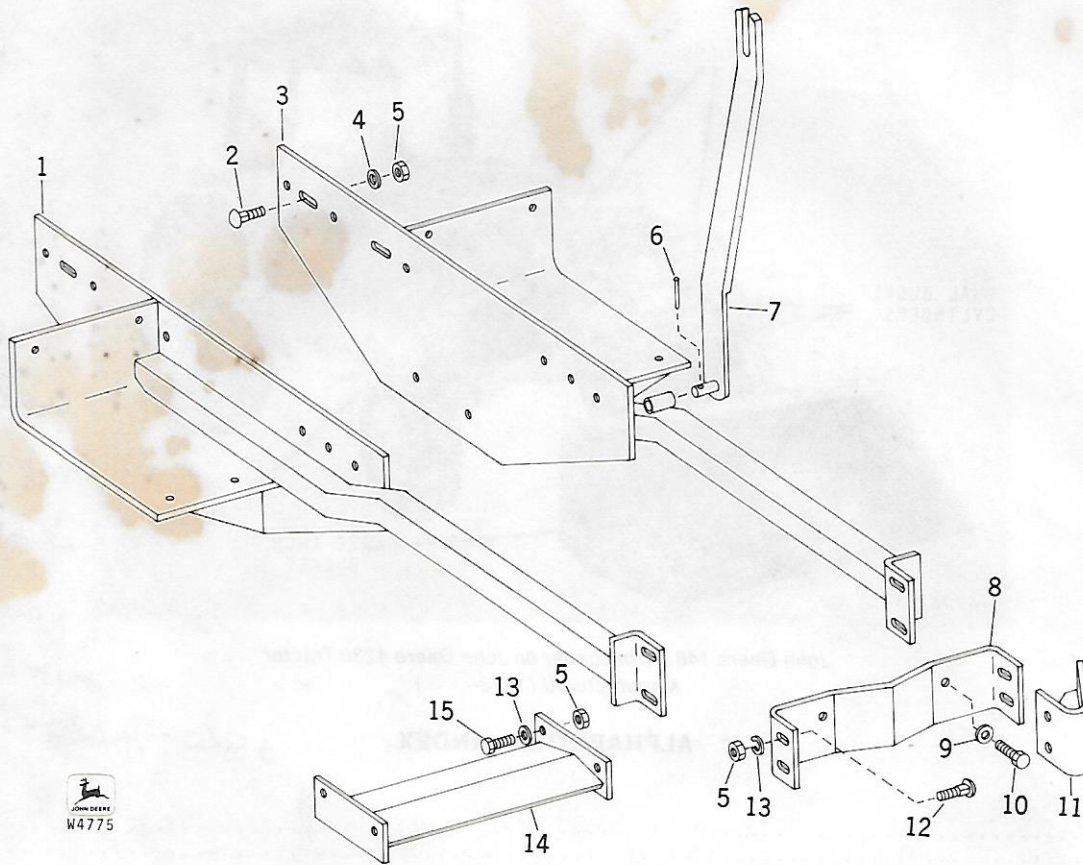
10680F TC
Fauche et
helle +
montage
disponible
fauche sur
re monte sur
3020-4020-4230-4430

ALPHABETICAL INDEX

	Page
Boom	2
Buckets	5
Connections, hydraulic:	
Oil Lines and Connections, Tractor Selective Control Valve to Grapple Fork or Haystacker Cylinder	11
Oil Lines and Connections, Tractor Selective Control Valve to Boom Cylinders	12
Oil Lines and Connections, Tractor Selective Control Valve to Bucket Cylinders	13
Oil Lines and Connections, Hose Extension	14
Oil Lines and Connections, Independent Control Valve to Oil Tubes for John Deere 2520, 3020, 4000, 4020, 4320, 4520, and 4620 Tractors without Cabs	14
Oil Lines and Connections, Independent Control Valve to Oil Tubes for John Deere 4030, 4230, 4430, and 4630 Tractors with Four Post Roll-Gard or Sound Gard Body	15
Oil Lines and Connections, Tractor Selective Control Valve to Independent Control Valve	16
Connections, Control Cable, for John Deere 4030, 4230, 4430, and 4630 Tractors with Four Post Roll-Gard or Sound Gard Body	19
Console, valve control, for John Deere 4030, 4230, 4430, and 4630 Tractors with Four Post Roll-Gard or Sound Gard Body	18
Cylinders, hydraulic:	
Boom	22
Bucket	23
Grapple Fork or Haystacker	24
Decals	10
Extension, 60-Inch Bucket	4
Fork, Grapple	6
Fork, Manure, 60-Inch	4
Frame, mounting	2
Haystacker:	
Fork	8
Push-off	9
Indicator, bucket level	10
Mast	3
Rods and support, independent control valve, for John Deere 2520, 3020, 4000, 4020, 4320, 4520, and 4620 Tractors without Cabs	17
Stand, mounting	7
Support, independent control valve, for John Deere 4030, 4230, 4430, and 4630 Tractors with Four Post Roll-Gard or Sound Gard Body	19
Valves:	
Two function	20
Three function	21

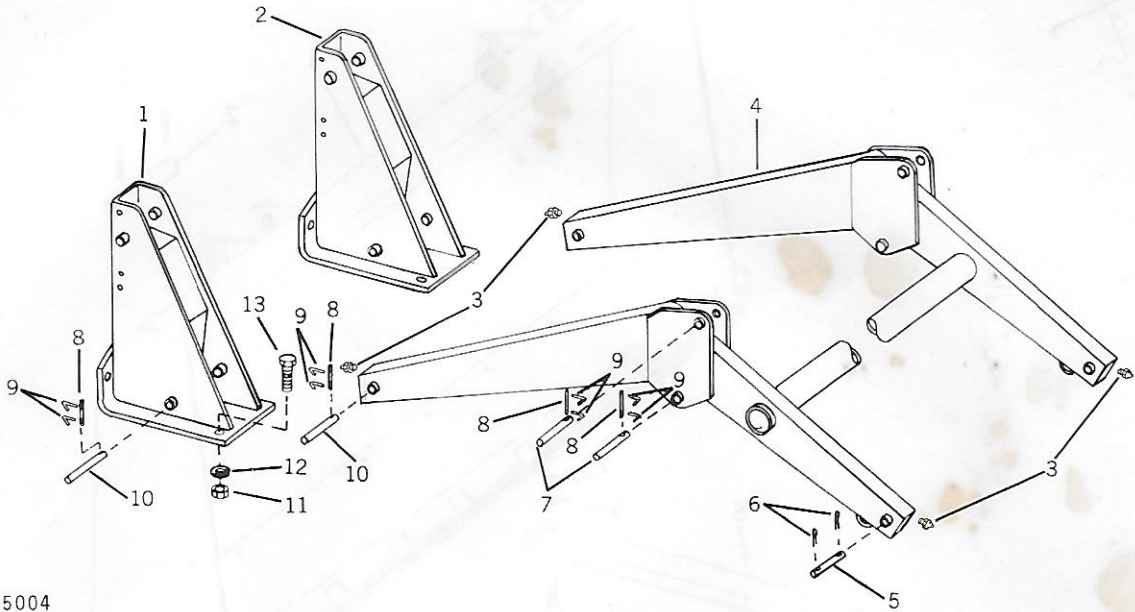
(Specifications and design subject to change without notice)

MOUNTING FRAME



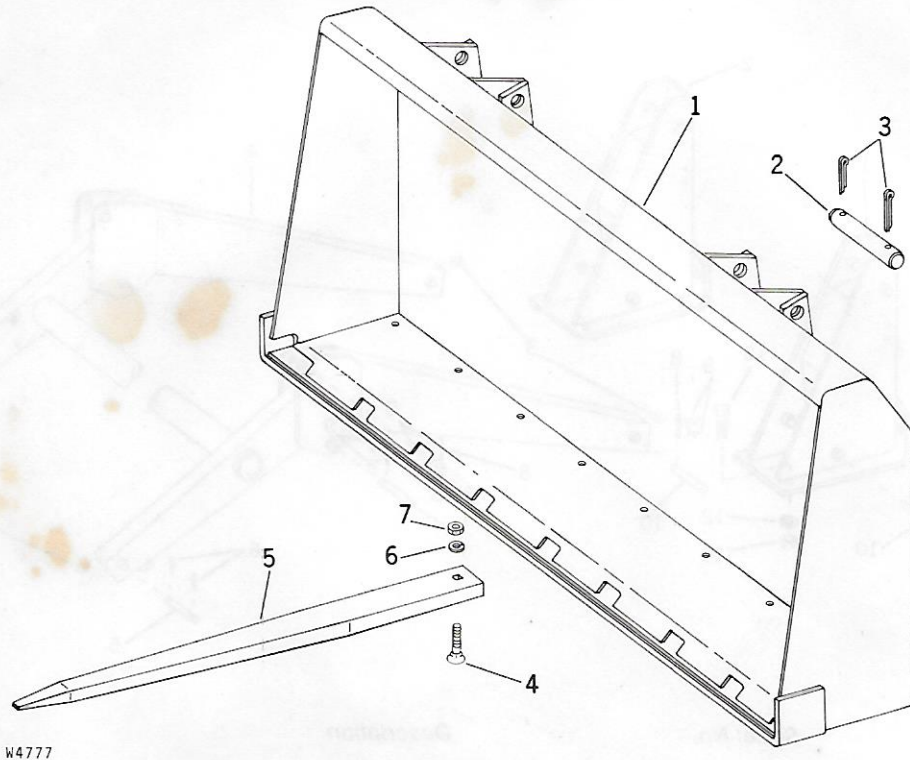
Key	Part No.	Serial No.	Description
1	AW 16346	(-)	Frame, R.H. (148)
	AW 16326	(-)	Frame, R.H. (158)
2	3H 1801	(-)	Bolt, cge., 5/8" x 1-3/4" (4020, 4320, 4430, and 4630, 12 used; 4520 and 4620, 8 used; for 4030, 10 used)
	19H 1708	(-)	Screw, cap, 5/8" x 1-3/4" (for front two holes of each side frame for 4520 and 4620) (4 used)
3	AW 16347	(-)	Frame, L.H. (148)
	AW 16327	(-)	Frame, L.H. (158)
4	W 21684	(-)	Washer, hardened, 5/8" (4020, 4320, 4430, and 4630, 12 used; for 4030, 10 used)
5	14H 760	(-)	Nut, hex., 5/8" (18 used)
6	34H 280	(-)	Pin, spring, 3/16" x 7/8"
7	AW 16462	(-)	Arm (148)
	AW 16458	(-)	Arm (158)
8	W 19446	(-)	Tie, cross
9	12H 236	(-)	Washer, lock, 3/4" (2 used)
10	19H 1862	(-)	Screw, cap, 3/4" x 2-1/2" (2 used)
11	AW 16601	(-)	Guide (148) (2 used)
	AW 16602	(-)	Guide, R.H. (158)
	AW 16603	(-)	Guide, L.H. (158)
12	3H 1604	(-)	Bolt, cge., 5/8" x 2" (4 used)
	3H 1856	(-)	Bolt, cge., 5/8" x 2-1/4" (4 used with mounting stand guides)
13	12H 294	(-)	Washer, lock, 5/8" (8 used)
14	AW 16325	(-)	Tie, cross
15	19H 1734	(-)	Screw, cap, 5/8" x 2" (4 used)

MAST AND BOOM



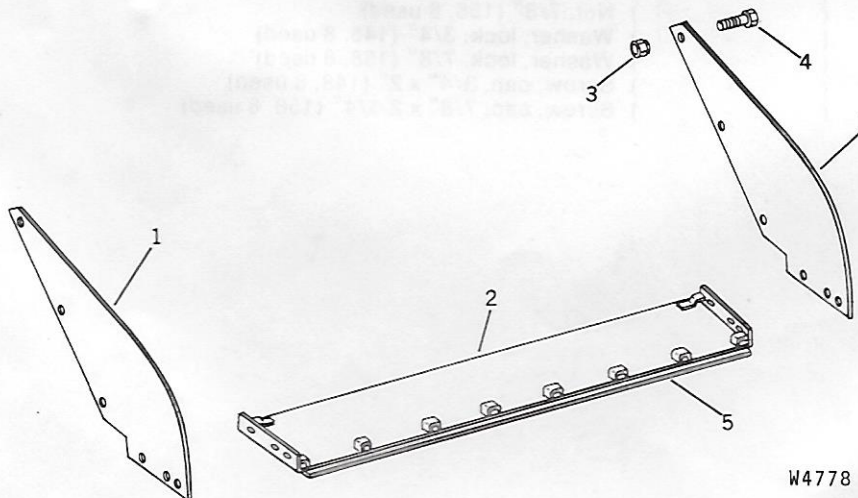
W5004

Key	Part No.	Serial No.	Description
1	AW 16035	(-)	Mast, R.H. (148)
	AW 16058	(-)	Mast, R.H. (158)
2	AW 16036	(-)	Mast, L.H. (148)
	AW 16059	(-)	Mast, L.H. (158)
3	JD 7797	(-)	Fitting, grease, 1/4", straight (4 used)
4	AW 16048	(-)	Boom (148)
	AW 16066	(-)	Boom (158)
5	W 21722	(-)	Pin (4 used) (2 used on bucket tilt cylinder)
6	11H 274	(-)	Pin, cotter, 1/4" x 1-3/4" (8 used)
7	W 21772	(-)	Pin (4 used)
8	W 23474	(-)	Pin, drive (8 used)
9	C 16836	(-)	Cotter, S-type (16 used)
10	W 21697	(-)	Pin (4 used)
11	14H 794	(-)	Nut, 3/4" (148, 8 used)
	14H 836	(-)	Nut, 7/8" (158, 8 used)
12	12H 236	(-)	Washer, lock, 3/4" (148, 8 used)
	12H 245	(-)	Washer, lock, 7/8" (158, 8 used)
13	19H 1768	(-)	Screw, cap, 3/4" x 2" (148, 8 used)
	19H 1848	(-)	Screw, cap, 7/8" x 2-1/4" (158, 8 used)

60-INCH MANURE FORK

W4777

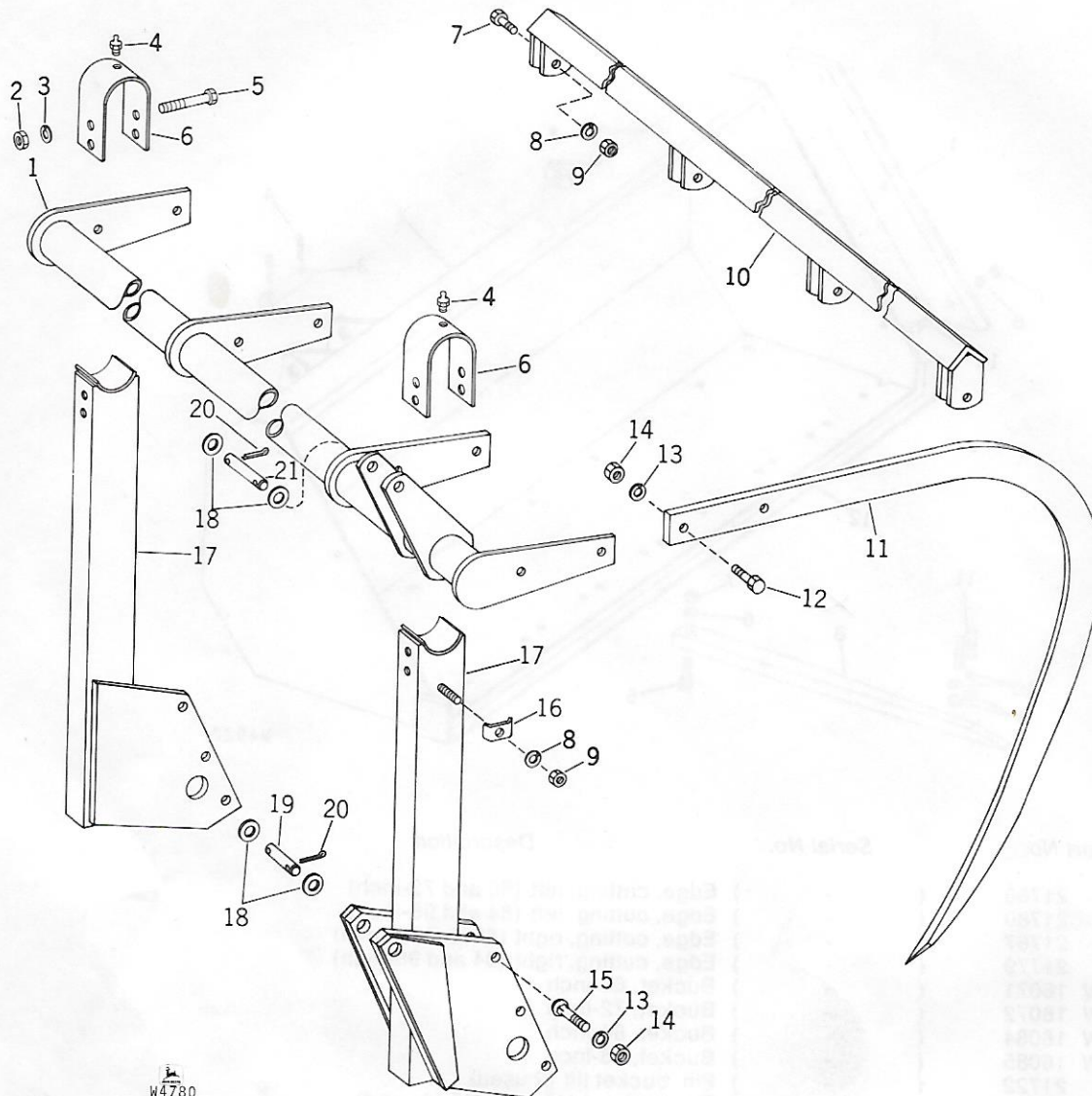
Key	Part No.	Serial No.	Description
1	AW 16088	(-)	Fork
2	W 21722	(-)	Pin, bucket tilt (2 used)
3	11H 274	(-)	Pin, cotter, 1/4" x 1-3/4" (4 used)
4	9H 1605	(-)	Bolt, plow, 1/2" x 1-1/2" (9 used)
5	W 22877	(-)	Tine (9 used)
6	12H 301	(-)	Washer, lock, 1/2" (9 used)
7	14H 809	(-)	Nut, hex, 1/2" (9 used)

60-INCH BUCKET EXTENSION

W4778

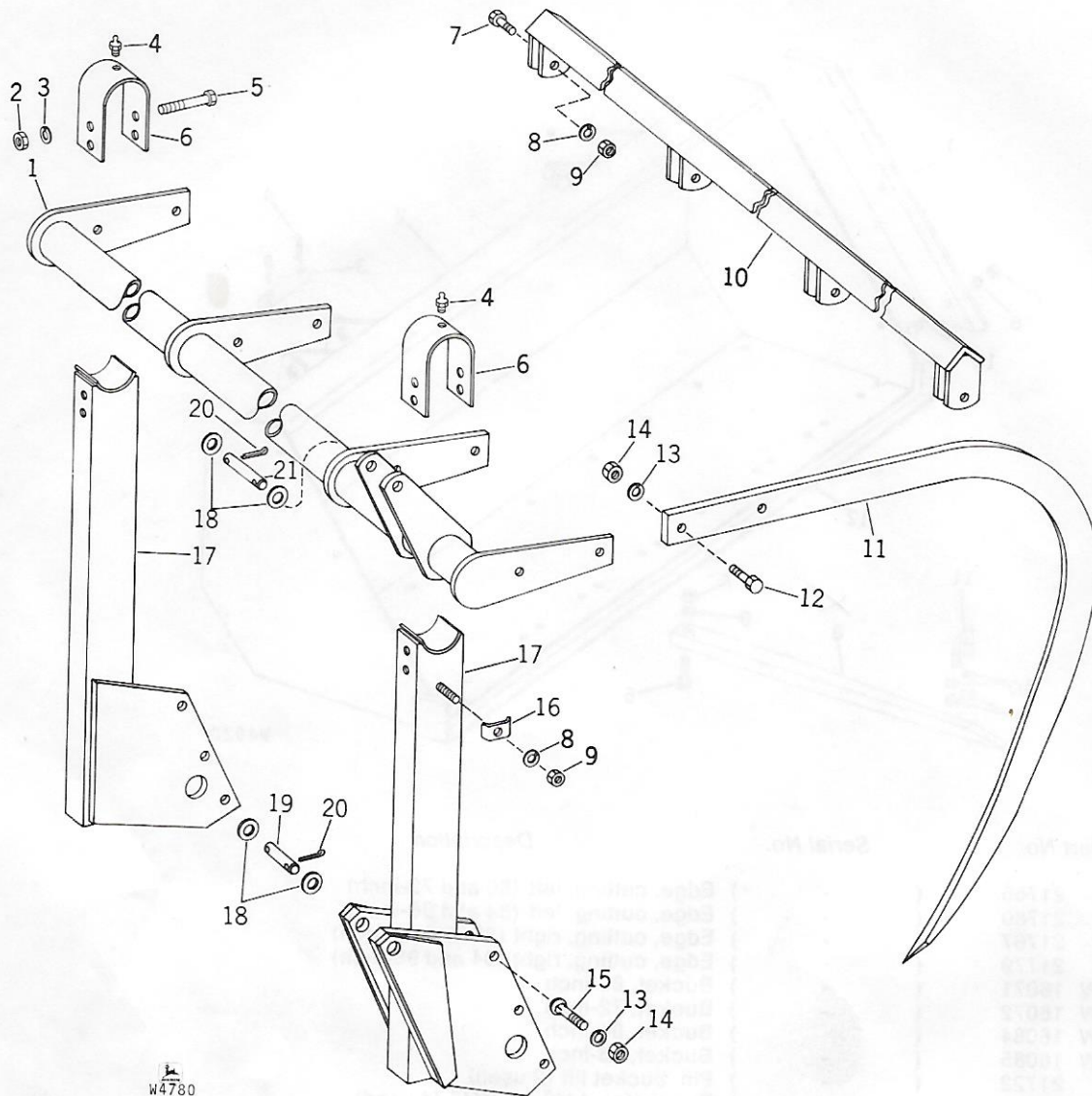
Key	Part No.	Serial No.	Description
1	W 22473	(-)	Extension (2 used)
2	AW 16496	(-)	Extension
3	BP 12214	(-)	Nut, lock, 1/2" (12 used)
4	19H 1792	(-)	Screw, cap, 1/2" x 1" (12 used)
5	C 19319	(-)	Edge, wear

GRAPPLE FORK



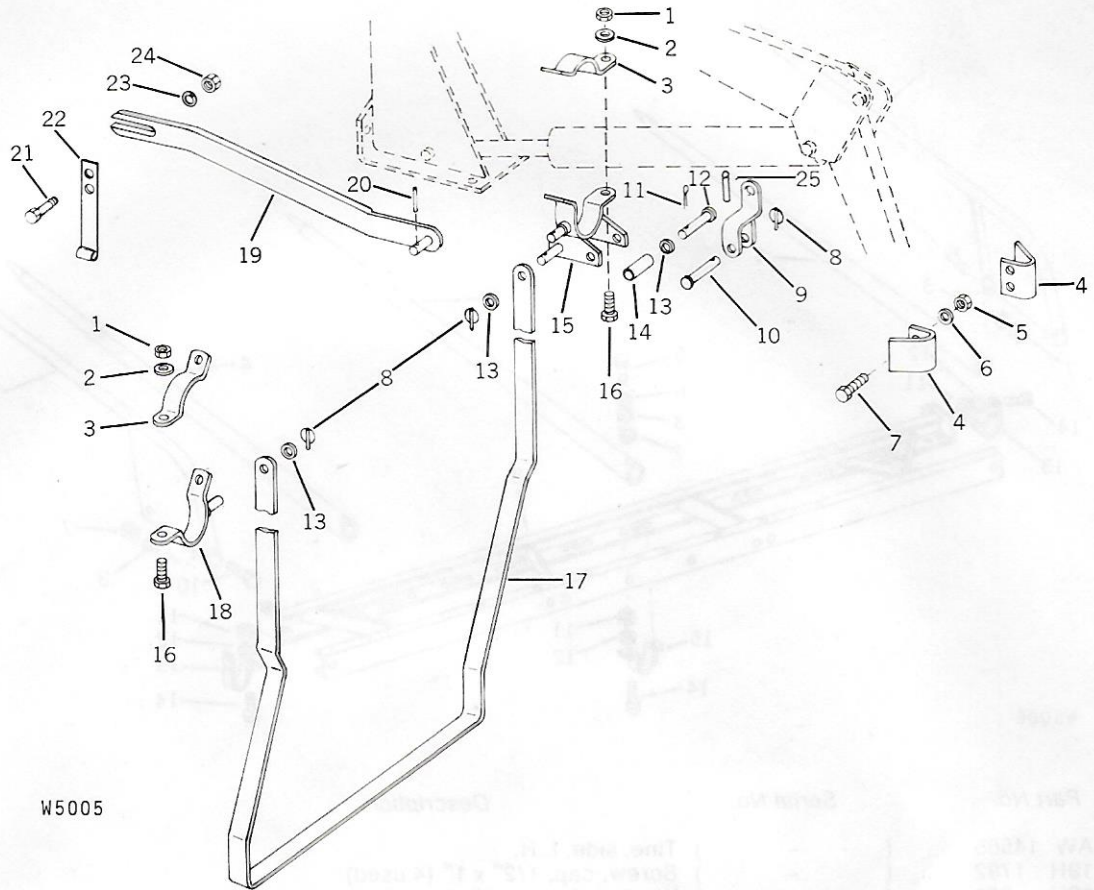
Key	Part No.	Serial No.	Description
1	AW 16277	(-)	Frame
2	14H 809	(-)	Nut, hex, 1/2" (4 used)
3	12H 301	(-)	Washer, lock, 1/2" (4 used)
4	JD 7797	(-)	Fitting, grease, straight, 1/4" (2 used)
5	19H 1993	(-)	Screw, cap, 1/2" x 5-1/4" (4 used)
6	W 22171	(-)	Bearing (2 used)
7	19H 2665	(-)	Screw, cap, 3/8" x 1-5/8" (4 used)
8	12H 304	(-)	Washer, lock, 3/8" (4 used)
9	14H 812	(-)	Nut, hex, 3/8" (4 used)
10	AW 16276	(-)	Reinforcement
11	W 22175	(-)	Tooth, grapple
12	19H 1734	(-)	Screw, cap, 5/8" x 2" (8 used)
13	12H 294	(-)	Washer, lock, 5/8" (14 used)
14	14H 760	(-)	Nut, hex, 5/8" (14 used)
15	3H 1399	(-)	Bolt, carriage, 5/8" x 1-3/4" (6 used)
16	C 19333	(-)	Clamp, oil tube
17	AW 16278	(-)	Support, R.H.
	AW 16279	(-)	Support, L.H.
18	24H 1477	(-)	Washer, 1-5/32" x 1-3/4" x .060" (4 used)
19	C 19986	(-)	Pin, cylinder, upper
20	11H 274	(-)	Pin, cotter, 1/4" x 1-3/4" (4 used)
21	C 19987	(-)	Pin, cylinder, lower

GRAPPLE FORK



Key	Part No.	Serial No.	Description
1	AW 16277	(-)	Frame
2	14H 809	(-)	Nut, hex, 1/2" (4 used)
3	12H 301	(-)	Washer, lock, 1/2" (4 used)
4	JD 7797	(-)	Fitting, grease, straight, 1/4" (2 used)
5	19H 1993	(-)	Screw, cap, 1/2" x 5-1/4" (4 used)
6	W 22171	(-)	Bearing (2 used)
7	19H 2665	(-)	Screw, cap, 3/8" x 1-5/8" (4 used)
8	12H 304	(-)	Washer, lock, 3/8" (4 used)
9	14H 812	(-)	Nut, hex, 3/8" (4 used)
10	AW 16276	(-)	Reinforcement
11	W 22175	(-)	Tooth, grapple
12	19H 1734	(-)	Screw, cap, 5/8" x 2" (8 used)
13	12H 294	(-)	Washer, lock, 5/8" (14 used)
14	14H 760	(-)	Nut, hex, 5/8" (14 used)
15	3H 1399	(-)	Bolt, carriage, 5/8" x 1-3/4" (6 used)
16	C 19333	(-)	Clamp, oil tube
17	AW 16278	(-)	Support, R.H.
	AW 16279	(-)	Support, L.H.
18	24H 1477	(-)	Washer, 1-5/32" x 1-3/4" x .060" (4 used)
19	C 19986	(-)	Pin, cylinder, upper
20	11H 274	(-)	Pin, cotter, 1/4" x 1-3/4" (4 used)
21	C 19987	(-)	Pin, cylinder, lower

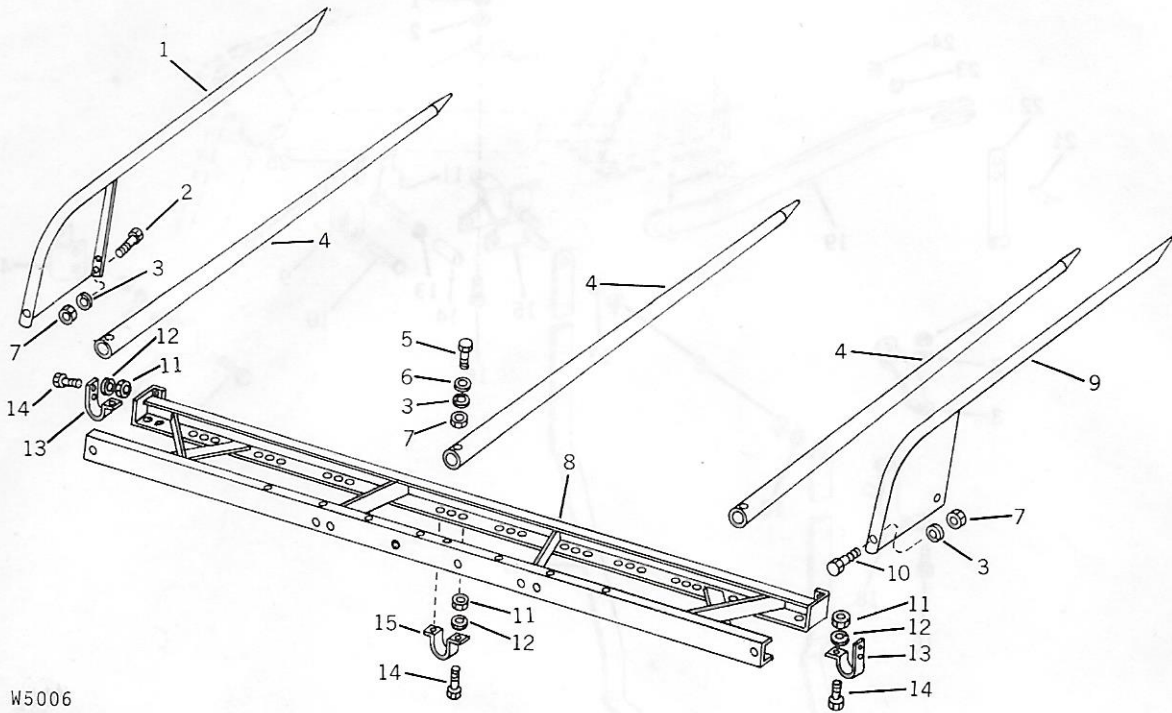
MOUNTING STAND



W5005

Key	Part No.	Serial No.	Description
1	14H 826	(-)	Nut, hex, jam, 1/2" (4 used)
2	12H 301	(-)	Washer, lock, 1/2" (4 used)
3	W 22548	(-)	Support (148, 2 used)
	W 22546	(-)	Support (158, 2 used)
4	AW 16601	(-)	Guide (see page 2) (148, 2 used)
	AW 16602	(-)	Guide, R.H. (see page 2) (158)
	AW 16603	(-)	Guide, L.H. (see page 2) (158)
5	14H 760	(-)	Nut, hex, 5/8" (4 used)
6	12H 294	(-)	Washer, lock, 5/8" (4 used)
7	3H 1856	(-)	Bolt, cge., 5/8" x 2-1/4" (4 used)
8	AW 13418	(-)	Pin, locking (4 used)
9	AW 16459	(-)	Bracket (2 used)
10	H 757 DA	(-)	Rivet, drilled (2 used)
11	28316	(-)	Pin, spring locking
12	W 22456	(-)	Rivet, button head, drilled
13	24H 1392	(-)	Washer, 25/32" x 1" x .120" (3 used)
14	28H 382	(-)	Spacer
15	AW 16543	(-)	Support, L.H. (148)
	AW 16541	(-)	Support, L.H. (158)
16	19H 2508	(-)	Screw, cap, 1/2" x 1-3/8" (4 used)
17	AW 16685	(-)	Stand (148)
	AW 16684	(-)	Stand (158)
18	AW 16542	(-)	Support, R.H. (148)
	AW 16540	(-)	Support, R.H. (158)
19	AW 16462	(-)	Arm (see page 2) (148)
	AW 16458	(-)	Arm (see page 2) (158)
20	34H 280	(-)	Pin, spring, 3/16" x 7/8"
21	19H 2562	(-)	Screw, cap, 3/8" x 5-3/4"
22	W 22914	(-)	Strap, arm support
23	12H 304	(-)	Washer, lock, 3/8"
24	14H 812	(-)	Nut, 3/8"
25	34H 386	(-)	Pin, spring, 1/4" x 2" (2 used)

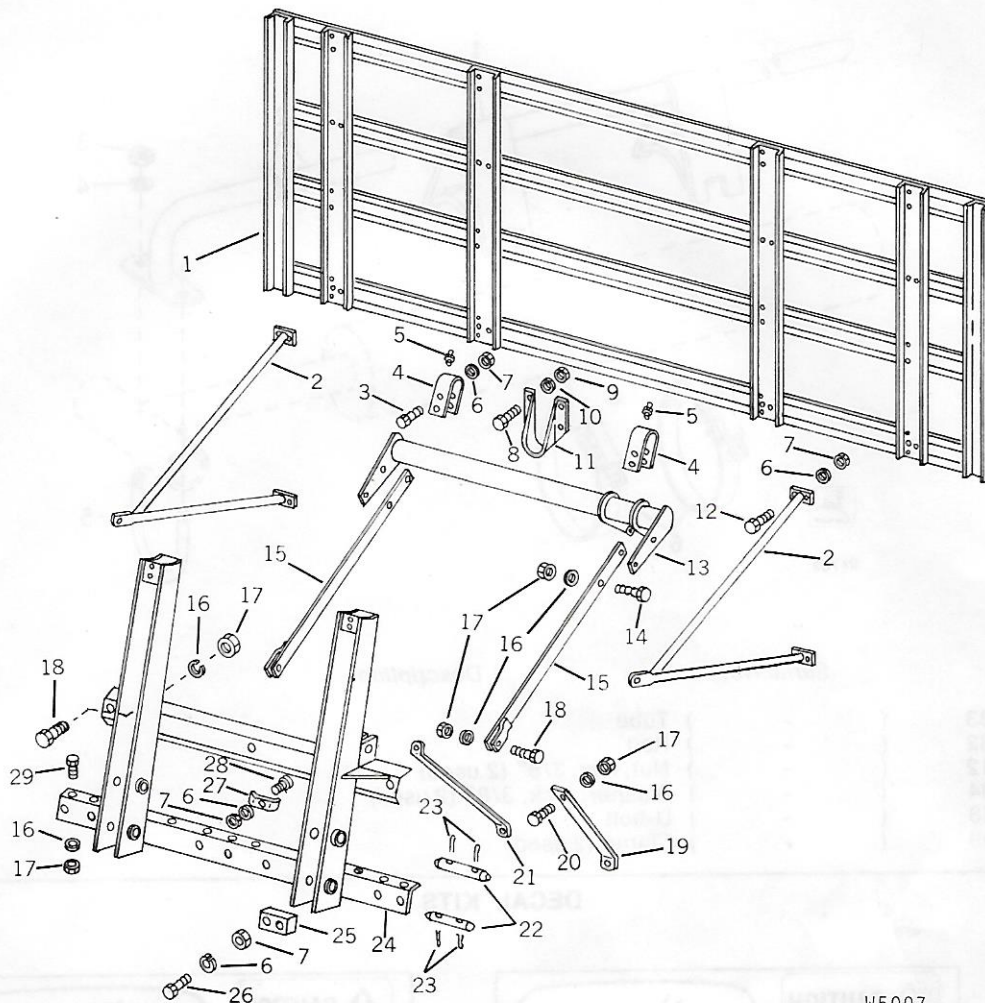
HAYSTACKER FORK



W5006

Key	Part No.	Serial No.	Description
1	AW 14565	(-)	Tine, side, L.H.
2	19H 1792	(-)	Screw, cap, 1/2" x 1" (4 used)
3	12H 301	(-)	Washer, lock, 1/2" (20 used)
4	AW 15408	(-)	Tine (14 used)
5	19H 1992	(-)	Screw, cap, 1/2" x 4" (14 used)
6	24H 1254	(-)	Washer, 17/32" x 1-1/8" x .105" (14 used)
7	14H 809	(-)	Nut, 1/2" (20 used)
8	AW 16689	(-)	Frame, cross
9	AW 14564	(-)	Tine, side, R.H.
10	19H 1974	(-)	Screw, cap, 1/2" x 2-3/4" (2 used)
11	14H 812	(-)	Nut, 3/8" (30 used)
12	12H 304	(-)	Washer, lock, 3/8" (30 used)
13	W 18908	(-)	Retainer, outer tine (2 used)
14	19H 1731	(-)	Screw, cap, 3/8" x 1" (30 used)
15	W 20677	(-)	Retainer (12 used)

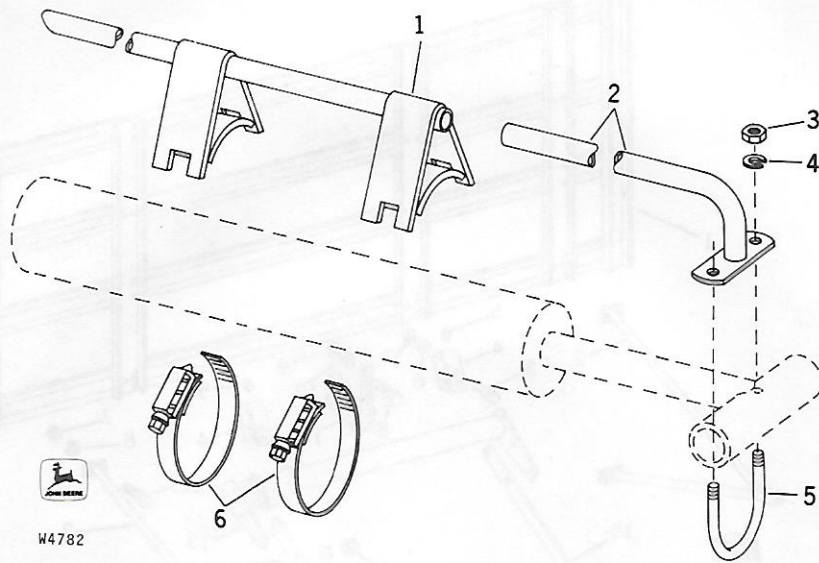
HAYSTACKER PUSH-OFF



W5007

Key	Part No.	Serial No.	Description
1	AW 16690	(-)	Push-off
2	AW 14606	(-)	Link (2 used)
3	19H 1815	(-)	Screw, cap, 1/2" x 1-1/4" (8 used)
4	W 19990	(-)	Clamp, bearing (2 used)
5	JD 7759	(-)	Fitting, grease, straight, 1/8" (2 used)
6	12H 301	(-)	Washer, lock, 1/2" (13 used)
7	14H 809	(-)	Nut, 1/2" (13 used)
8	19H 1936	(-)	Screw, cap, 3/8" x 3/4" (16 used)
9	14H 304	(-)	Nut, 3/8" (16 used)
10	12H 812	(-)	Washer, lock, 3/8" (16 used)
11	W 20769	(-)	Retainer (4 used)
12	19H 1792	(-)	Screw, cap, 1/2" x 1" (8 used)
13	AW 16803	(-)	Pivot
14	19H 1708	(-)	Screw, cap, 5/8" x 1-3/4" (4 used)
15	AW 16753	(-)	Arm, support (2 used)
16	12H 294	(-)	Washer, lock, 5/8" (33 used)
17	14H 760	(-)	Nut, 5/8" (33 used)
18	19H 1824	(-)	Screw, cap, 5/8" x 2-1/4" (4 used)
19	W 23501	(-)	Brace (2 used)
20	19H 1734	(-)	Screw, cap, 5/8" x 2" (8 used)
21	W 19988	(-)	Brace (3 used)
22	W 23013	(-)	Pin (4 used)
23	11H 274	(-)	Pin, cotter, 1/4" x 1-3/4" (8 used)
24	AW 16688	(-)	Frame, support
25	W 22807	(-)	Stop (2 used)
26	19H 1777	(-)	Screw, cap, 1/2" x 1-3/4" (4 used)
27	C 19333	(-)	Clamp
28	19H 1831	(-)	Screw, cap, 1/2" x 2"
29	19H 1833	(-)	Screw, cap, 5/8" x 1-1/4" (17 used)

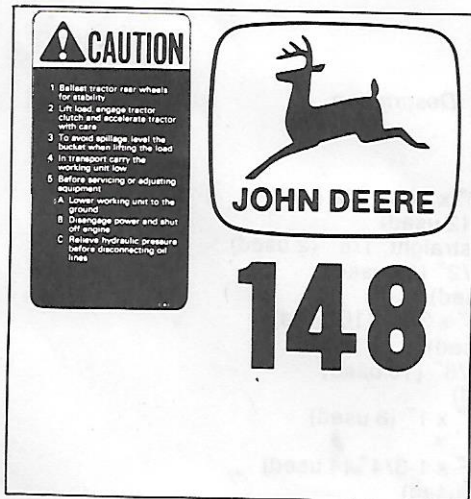
BUCKET LEVEL INDICATOR



W4782

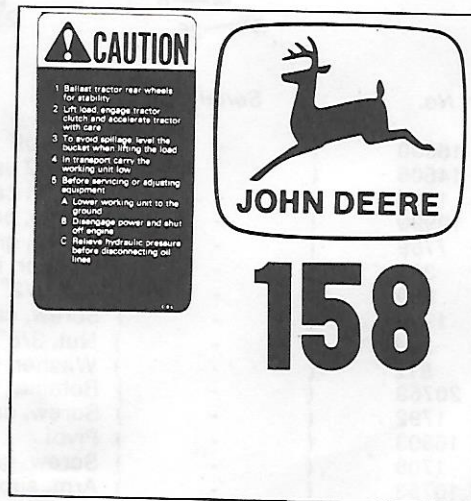
Key	Part No.	Serial No.	Description
1	AW 16483	(-)	Tube
2	AW 16482	(-)	Rod
3	14H 812	(-)	Nut, hex, 3/8" (2 used)
4	12H 304	(-)	Washer, lock, 3/8" (2 used)
5	W 22463	(-)	U-bolt
6	AR 21999	(-)	Clamp (2 used)

DECAL KITS



W5008

1

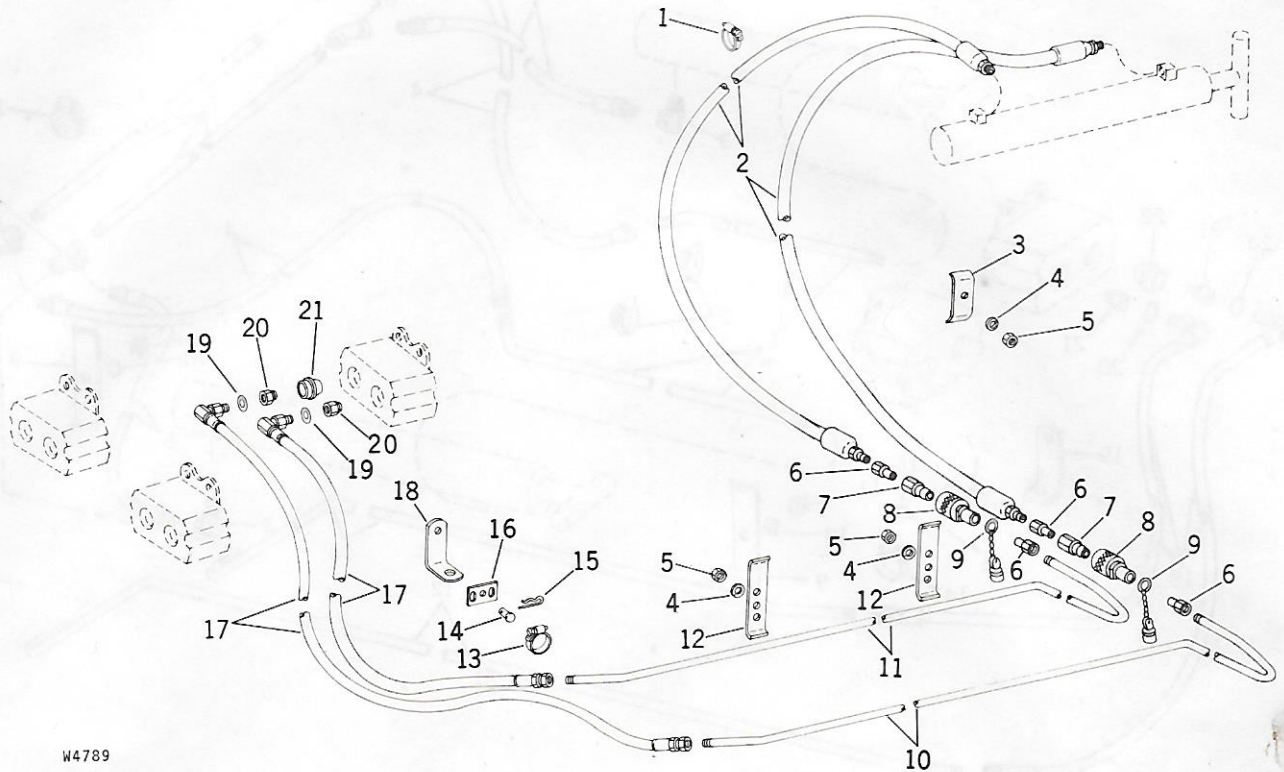


2

Key	Part No.	Serial No.	Description
1	AW 17209	(-)	Kit, decal, 148 (consists of following decals: "Caution", leaping deer (2 used), model number (2 used))
2	AW 17210	(-)	Kit, decal, 158 (consists of following decals: "Caution", leaping deer (2 used), model number (2 used))

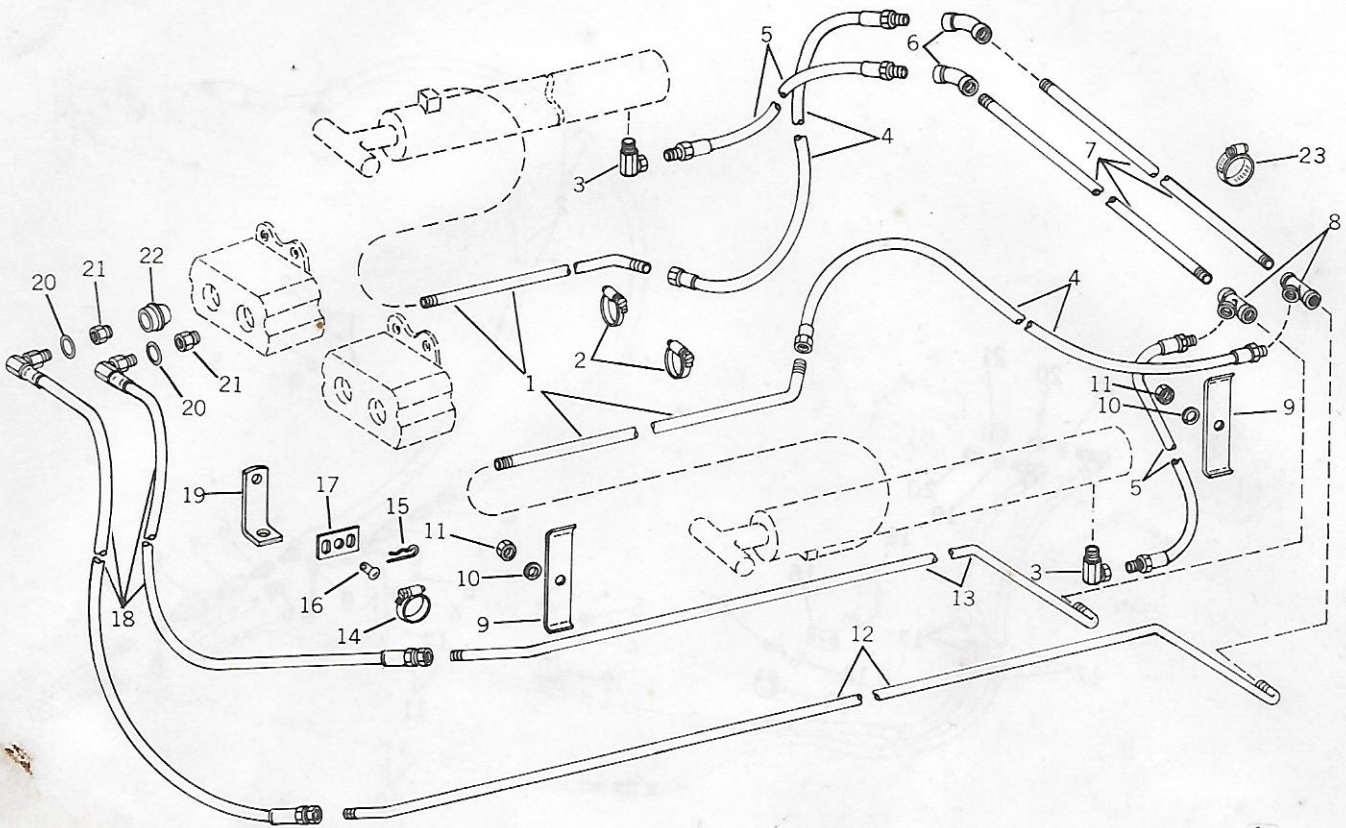
OIL LINES AND CONNECTIONS

(Tractor Selective Control Valve to Grapple Fork or Haystacker Cylinder)



Key	Part No.	Serial No.	Description
1	AR 21839	(-)	Clamp
2	AU 13988	(-)	Hose, 3/8" x 64" (2 used)
3	C 19333	(-)	Clamp
4	12H 304	(-)	Washer, lock, 3/8" (3 used)
5	14H 812	(-)	Nut, hex, 3/8" (3 used)
6	15H 586	(-)	Bushing, reducing, hex, 1/2" x 3/8" (4 used)
7	C 14619	(-)	Coupler, quick (2 used)
8	C 14618	(-)	Coupler, quick (2 used)
9	AC 12763	(-)	Plug, dust (2 used)
10	W 22335	(-)	Tube, grapple, bottom (158)
	W 22337	(-)	Tube, grapple, bottom (148)
11	W 22334	(-)	Tube, grapple, top (158)
	W 22336	(-)	Tube, grapple, top (148)
12	W 22485	(-)	Clamp, oil tube (2 used)
13	AR 21840	(-)	Clamp
14	X 6449 C	(-)	Pin
15	J 16931	(-)	Pin, spring locking
16	C 19316	(-)	Clamp, hose support
17	AW 16627	(-)	Hose, 3/8" x 147" (for all 148 Loader Tractors and 158 Loaders on John Deere 4000, 4020, 4230, and 4430 Tractors, 2 used)
	AW 16628	(-)	Hose, 3/8" x 155" (for 158 Loader on John Deere 4520, 4620, and 4630 Tractors, 2 used)
18	W 22509	(-)	Bracket
19	R 26375	(-)	O-ring (2 used)
20	AR 26742	(-)	Plug, breakaway coupler (2 used)
21	R 28006	(-)	Cover, dust (2 used)

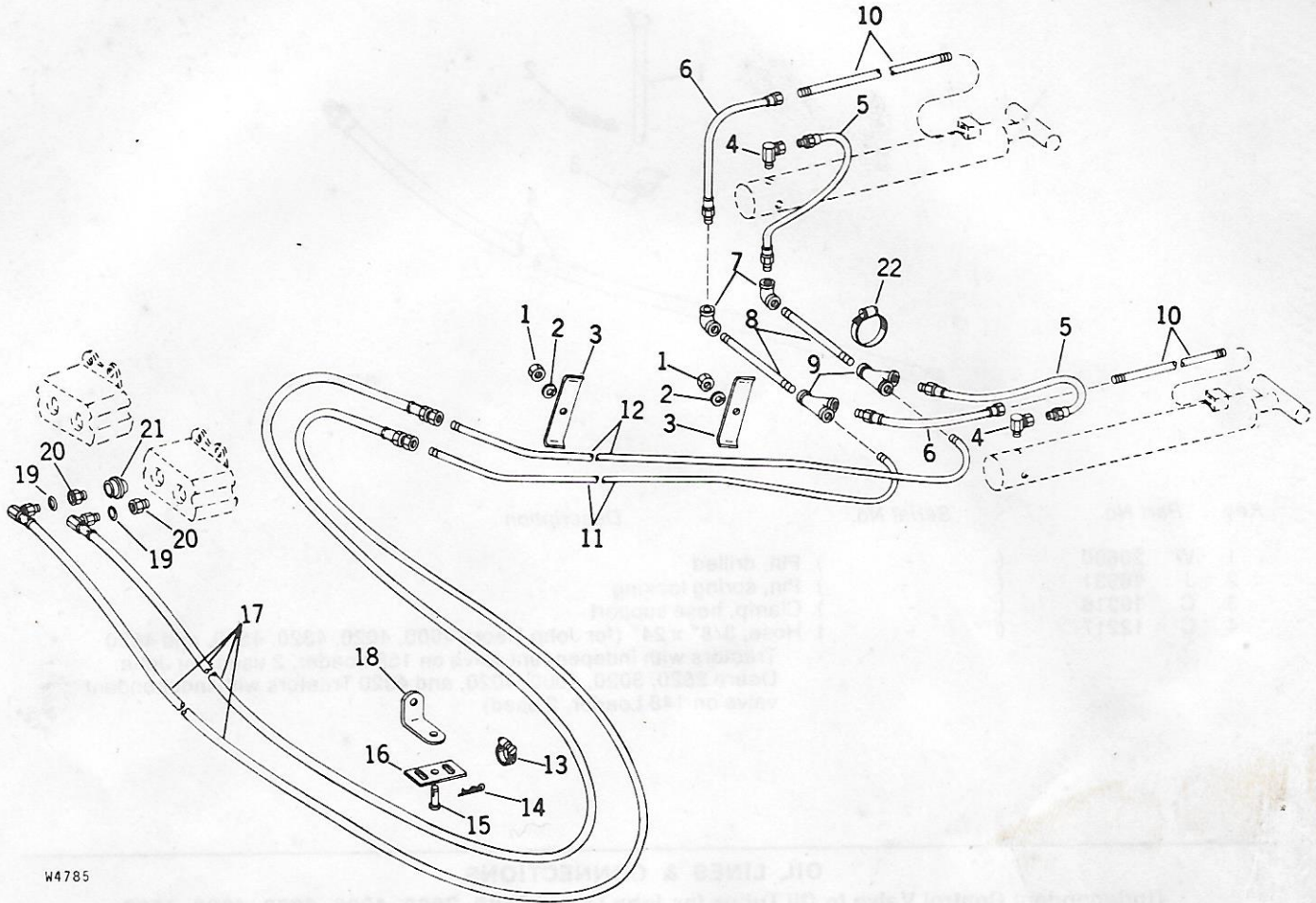
OIL LINES AND CONNECTIONS
(Tractor Selective Control Valve to Boom Cylinders)



W4787

Key	Part No.	Serial No.	Description
1	W 21693	(-)	Tube, oil (148, 2 used)
	W 21820	(-)	Tube, oil (158, 2 used)
2	AR 21841	(-)	Clamp (2 used)
3	AP 23054	(-)	Adapter, union, 90° (158) (2 used)
4	AW 16092	(-)	Hose, 3/8" x 22" (2 used)
5	AW 16397	(-)	Hose, 3/8" x 17-1/2" (148, 2 used)
	AW 16046	(-)	Hose, 3/8" x 15-1/2" (158, 2 used)
6	15H 593	(-)	Elbow, 3/8" x 45° (2 used)
7	W 21729	(-)	Tube, oil (2 used)
8	C 11817	(-)	Fitting, Y-bend, 45° (2 used)
9	C 19988	(-)	Clamp (2 used)
10	12H 304	(-)	Washer, lock, 3/8" (2 used)
11	14H 812	(-)	Nut, 3/8" (2 used)
12	W 21705	(-)	Tube, oil (148, third from top)
	W 21818	(-)	Tube, oil (158, third from top)
13	W 21706	(-)	Tube, oil (148, fourth from top)
	W 21819	(-)	Tube, oil (158, fourth from top)
14	AR 21840	(-)	Clamp
15	J 16931	(-)	Pin, spring locking
16	X 6449 C	(-)	Pin
17	C 19316	(-)	Clamp, hose support
18	AW 16627	(-)	Hose, 3/8" x 147" (for all 148 Loader Tractors and 158 Loaders on John Deere 4000, 4020, 4230, and 4430 Tractors) (2 used)
	AW 16628	(-)	Hose, 3/8" x 155" (for 158 Loader on John Deere 4520, 4620, and 4630 Tractors) (2 used)
19	W 22509	(-)	Bracket
20	R 26375	(-)	O-ring (2 used)
21	AR 26742	(-)	Plug, breakaway coupler (2 used)
22	R 28006	(-)	Cover, dust (2 used)
23	AC 15595	(-)	Clamp, oil tube (2 used)

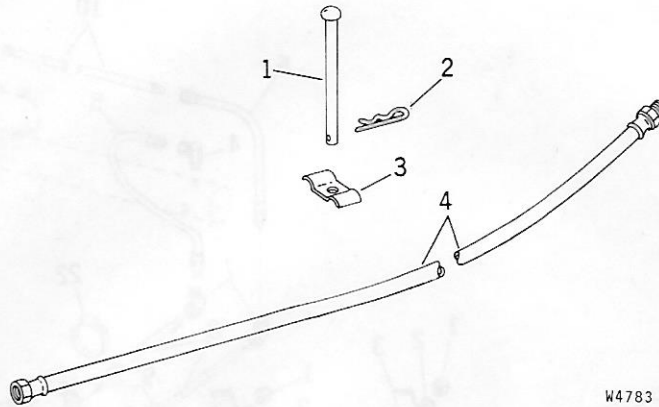
OIL LINES AND CONNECTIONS (Tractor Selective Control Valve to Bucket Cylinders)



W4785

Key	Part No.	Serial No.	Description
1	14H 812	(-)	Nut, 3/8" (2 used)
2	12H 304	(-)	Washer, lock, 3/8" (2 used)
3	C 19988	(-)	Clamp (2 used)
4	AP 23054	(-)	Adapter, union, 90° (2 used)
5	AW 16052	(-)	Hose, 3/8" x 17-1/2" (148, 2 used)
	AW 16046	(-)	Hose, 3/8" x 15-1/2" (158, 2 used)
6	AW 16047	(-)	Hose, 3/8" x 17-1/2" (2 used)
7	15H 593	(-)	Elbow, 3/8" x 45° (2 used)
8	W 21729	(-)	Tube, oil (2 used)
9	C 11817	(-)	Fitting, Y-bend, 45° (2 used)
10	W 21692	(-)	Tube, oil (148, 2 used)
	W 21821	(-)	Tube, oil (158, 2 used)
11	W 21704	(-)	Tube, oil (148, second from top)
	W 21817	(-)	Tube, oil (158, second from top)
12	W 21703	(-)	Tube, oil (148, top)
	W 21816	(-)	Tube, oil (158, top)
13	AR 21840	(-)	Clamp
14	J 16931	(-)	Pin, spring locking
15	X 6449 C	(-)	Pin
16	C 19316	(-)	Clamp, hose support
17	C 17589	(-)	Hose, 3/8" x 140" (for all 148 Loader Tractors and 158 Loader on John Deere 4000, 4020, 4230, and 4430 Tractors) (2 used)
	AW 16627	(-)	Hose, 3/8" x 147" (for 158 Loader on John Deere 4520, 4620, and 4630 Tractors) (2 used)
18	W 22509	(-)	Bracket
19	R 26375	(-)	O-ring (2 used)
20	AR 26742	(-)	Plug, breakaway coupler (2 used)
21	R 28006	(-)	Cover, dust (2 used)
22	AC 15595	(-)	Clamp, oil tube (2 used)

OIL LINES AND CONNECTIONS
(Hose Extensions)

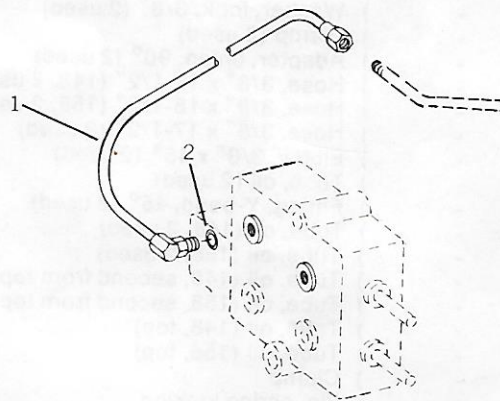


W4783

Key	Part No.	Serial No.	Description
1	W 20690	(-)	Pin, drilled
2	J 16931	(-)	Pin, spring locking
3	C 19316	(-)	Clamp, hose support
4	C 12217	(-)	Hose, 3/8" x 24" (for John Deere 4000, 4020, 4320, 4520, and 4620 Tractors with independent valve on 158 Loader, 2 used; for John Deere 2520, 3020, 4000, 4020, and 4320 Tractors with independent valve on 148 Loader, 2 used)

OIL LINES & CONNECTIONS

(Independent Control Valve to Oil Tubes for John Deere 2520, 3020, 4000, 4020, 4320, 4520 and 4620 Tractors without Cabs)

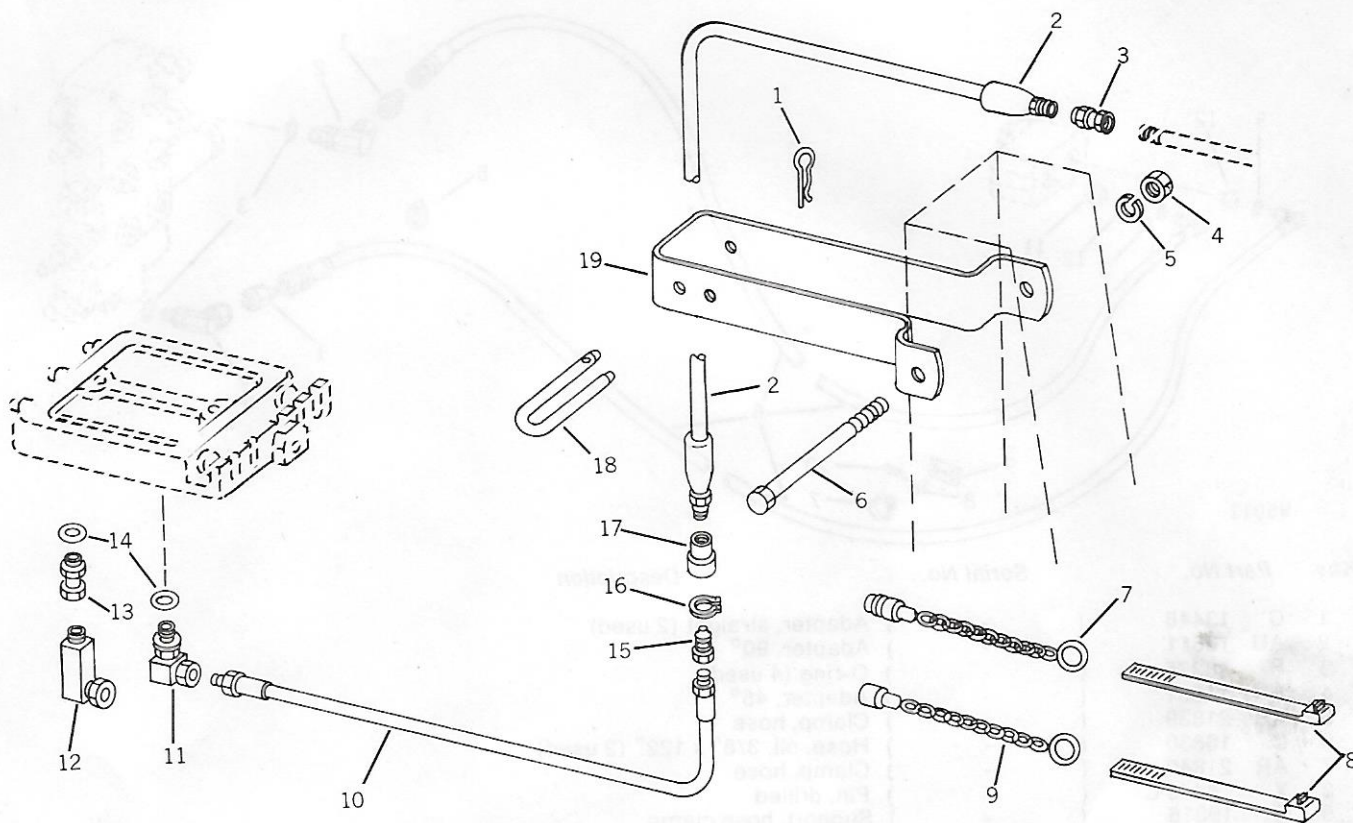


W5009

Key	Part No.	Serial No.	Description
1	AW 16669	(-)	Hose, 3/8" x 29" (4 used for two-function valve, 6 used for three-function valve)
2	R 26375	(-)	O-ring (4 used for two-function valve, 6 used for three-function valve)

OIL LINES AND CONNECTIONS

(Independent Control Valve to Oil Tubes For John Deere 4030, 4230, 4430, and 4630 Tractors with Four Post Roll-Gard or Sound-Gard Body)

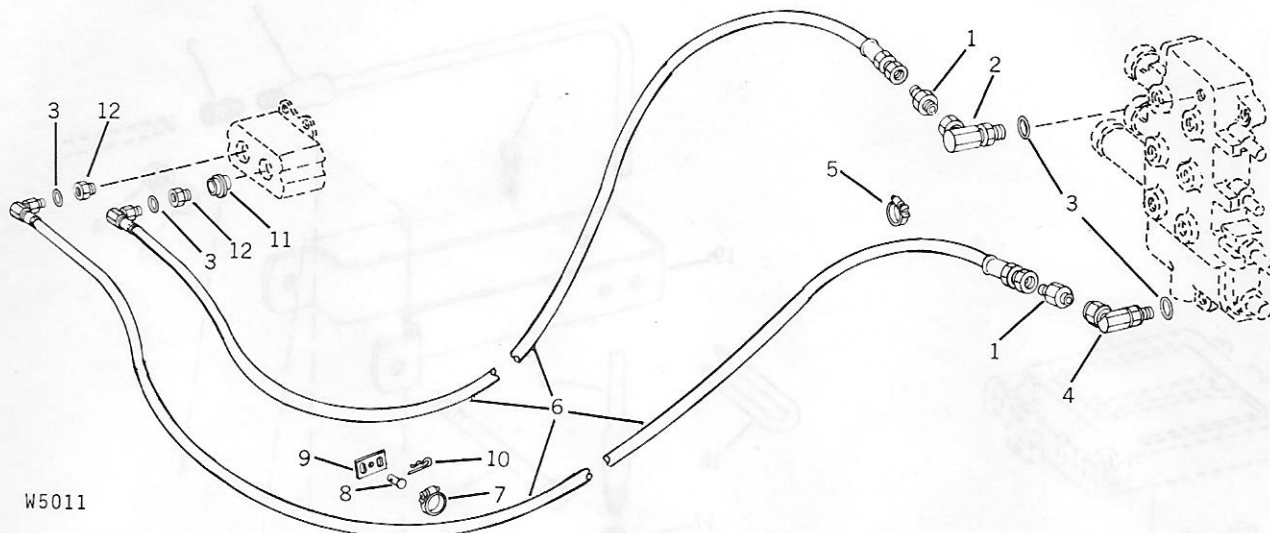


W5010

Key	Part No.	Serial No.	Description
1	S 2955 DW	(-)	Pin, spring locking
2	AU 40605	(-)	Hose, 3/8" x 47-1/2" (4 used for two-function, 6 used for three-function)
3	AL 1830 N	(-)	Fitting, hydraulic (4 used for two-function, 6 used for three-function)
4	14H 812	(-)	Nut, 3/8"
5	12H 304	(-)	Washer, lock, 3/8"
6	19H 2562	(-)	Screw, cap, 3/8" x 5-3/4"
7	AW 17006	(-)	Plug, dust (4 used for two-function, 6 used for three-function)
8	T 38630	(-)	Band (2 used)
9	AW 16769	(-)	Cap, dust (4 used for two-function, 6 used for three-function)
10	AW 16866	(-)	Hose, 3/8" x 13-1/2" (4 used for two-function, 6 used for three-function)
11	AN 31756	(-)	Fitting, hydraulic (2 used for two-function, 3 used for three-function)
12	AP 23054	(-)	Fitting, hydraulic (2 used for two-function, 3 used for three-function)
13	AU 11569	(-)	Union (2 used for two-function, 3 used for three-function)
14	R 26375	(-)	O-ring (4 used for two-function, 6 used for three-function)
15	AW 16774	(-)	Coupling, male (4 used for two-function, 6 used for three-function)
16	W 23122	(-)	Ring, retaining (4 used for two-function, 6 used for three-function)
17	C 14619	(-)	Coupling, female (4 used for two-function, 6 used for three-function)
18	W 22798	(-)	Pin
19	W 22797	(-)	Support, hose

OIL LINES AND CONNECTIONS

(Tractor Selective Control Valve to Independent Control Valve for John Deere 2520, 3020, 4000, 4020, 4320, 4520, and 4620 Tractors without Cabs)

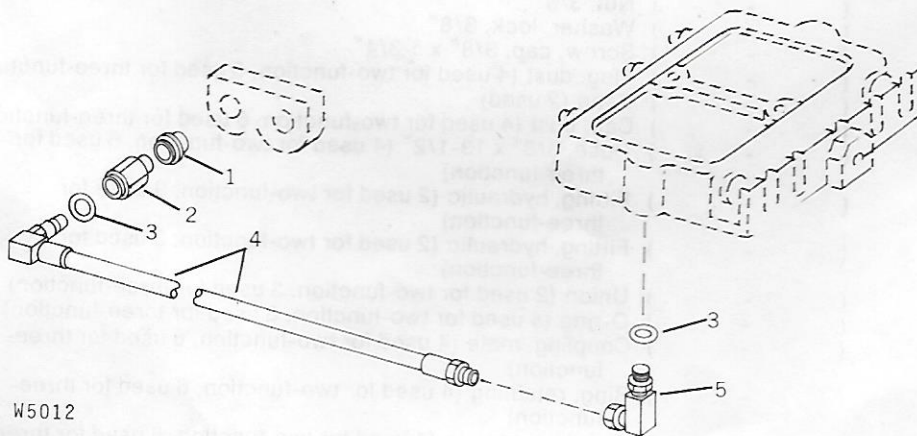


W5011

Key	Part No.	Serial No.	Description
1	C 13446	(-)	Adapter, straight (2 used)
2	AU 13611	(-)	Adapter, 90°
3	R 26375	(-)	O-ring (4 used)
4	AU 11581	(-)	Adapter, 45°
5	AR 21839	(-)	Clamp, hose
6	C 16830	(-)	Hose, oil, 3/8" x 122" (2 used)
7	AR 21840	(-)	Clamp, hose
8	X 6449 C	(-)	Pin, drilled
9	C 19316	(-)	Support, hose clamp
10	J 16931	(-)	Pin, lock
11	R 28006	(-)	Cover, dust
12	AR 26742	(-)	Plug, breakaway coupler

OIL LINES AND CONNECTIONS

(Tractor Selective Control Valve to Independent Control Valve for John Deere 4030, 4230, 4430, and 4630 Tractors with Four Post Roll-Gard or Sound Gard Body)

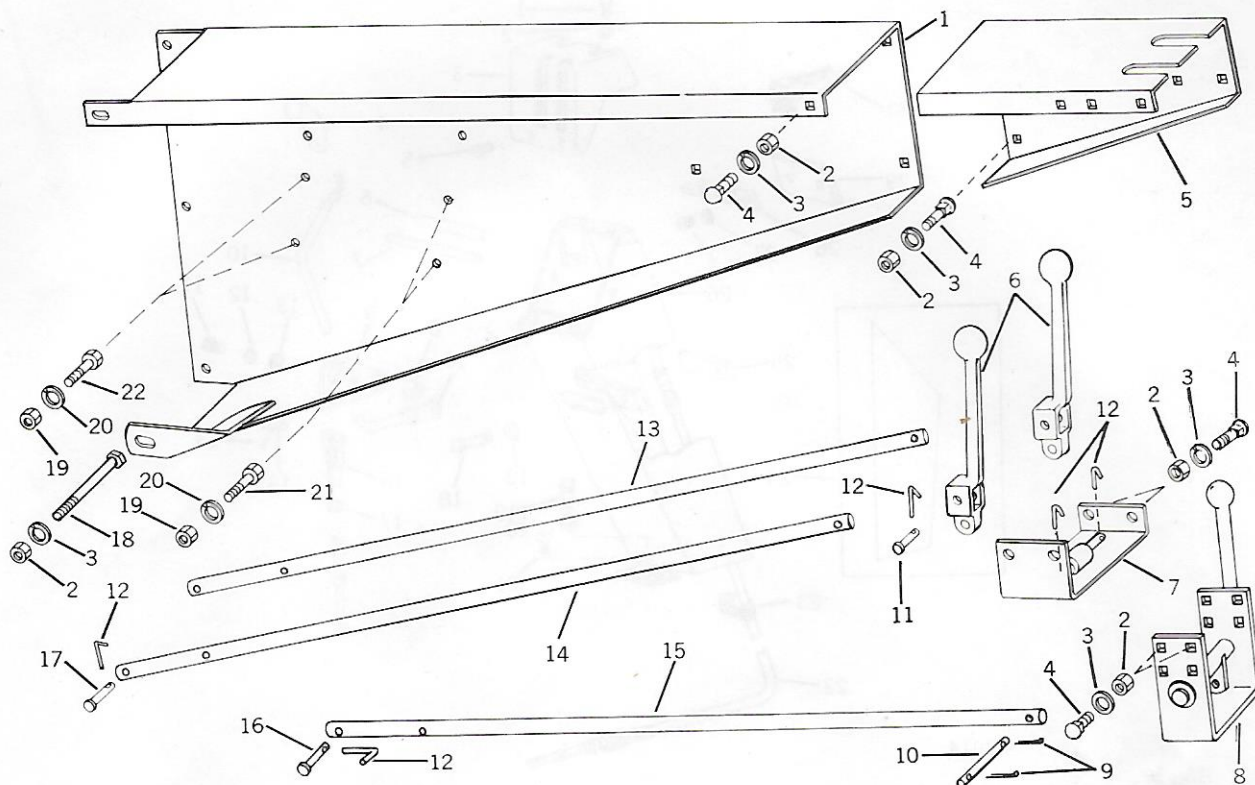


W5012

Key	Part No.	Serial No.	Description
1	R 28006	(-)	Cover, dust (2 used)
2	AR 26742	(-)	Plug, breakaway coupler (2 used)
3	R 26375	(-)	O-ring (4 used)
4	AW 16633	(-)	Hose, 3/8" x 100" (2 used)
5	AU 13611	(-)	Fitting, hydraulic (2 used)

INDEPENDENT CONTROL VALVE RODS AND SUPPORT

(For John Deere 2520, 3020, 4000, 4020, 4320, 4520, and 4620 Tractors without Cabs)

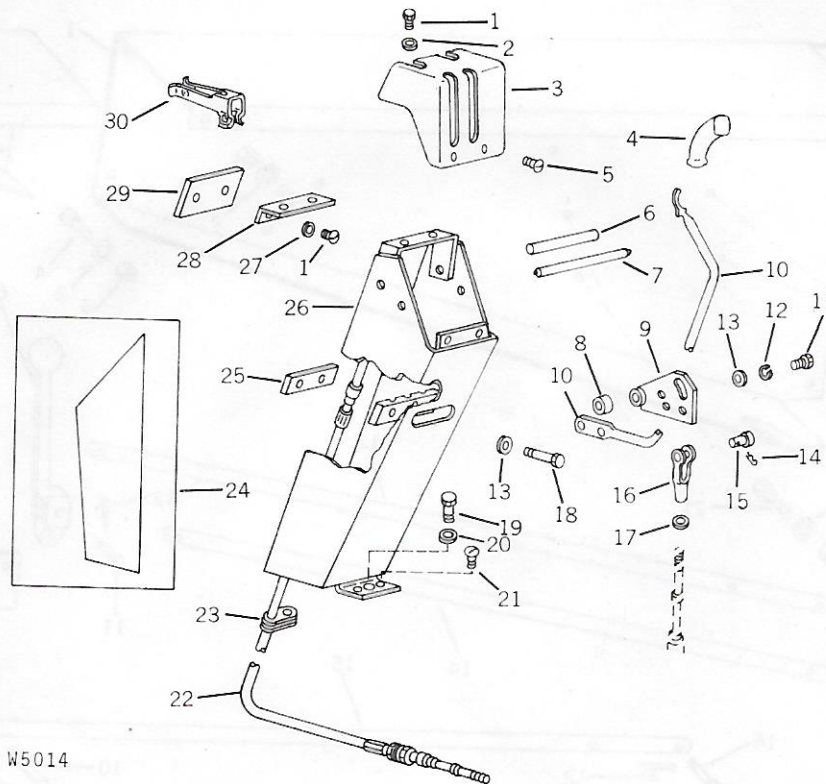


W5013

Key	Part No.	Serial No.	Description
1	AW 16562	(-)	Support, front
2	14H 812	(-)	Nut, hex, 3/8" (9 used)
3	12H 304	(-)	Washer, lock, 3/8" (9 used)
4	3H 1765	(-)	Bolt, cge., 3/8" x 3/4" (9 used)
5	W 22603	(-)	Support, rear
6	C 19351	(-)	Handle, control (2 used)
7	AC 15633	(-)	Support, handle
8	AC 16296	(-)	Lever, valve
9	11H 211	(-)	Pin, cotter, 1/8" x 3/4" (2 used)
10	C 16149	(-)	Pin
11	U 20007	(-)	Pin, drilled (2 used for two-function, 3 used for three-function)
12	C 16836	(-)	Cotter, S-type (6 used for two-function, 7 used for three-function)
13	W 22600	(-)	Rod, lift
14	W 22601	(-)	Rod, bucket
15	W 22602	(-)	Rod, third function
16	W 22749	(-)	Pin, drilled
17	W 22318	(-)	Pin, drilled (2 used)
18	19H 2562	(-)	Screw, cap, 3/8" x 5-3/4" (2 used)
19	14H 785	(-)	Nut, hex, 5/16" (2 used)
20	12H 303	(-)	Washer, lock, 5/16" (2 used)
21	19H 1901	(-)	Screw, cap, 5/16" x 2"
22	19H 1949	(-)	Screw, cap, 5/16" x 2-1/2"

VALVE CONTROL CONSOLE

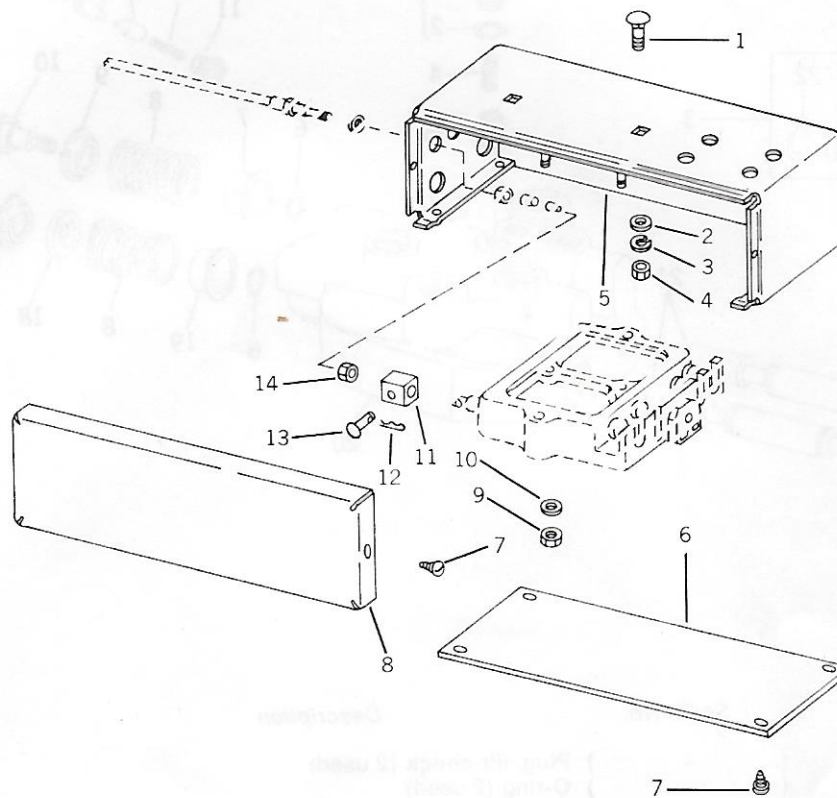
(For John Deere 4030, 4230, 4430, and 4630 Tractors with Four Post Roll-Gard or Sound Gard Body)



W5014

Key	Part No.	Serial No.	Description
1	19H 1227	(-)	Screw, cap, 1/4" x 1/2" (4 used)
2	24H 1287	(-)	Washer, .060" x 9/32" x 5/8" (2 used)
3	W 22968	(-)	Cover
4	R 51161	(-)	Knob (2 used for two-function, 3 used for three-function)
5	37H 36	(-)	Screw, self tapping, 5/32" x 1/2" (2 used)
6	W 22934	(-)	Pin
7	W 23123	(-)	Pin, neutral lock
8	W 21991	(-)	Bushing
9	AW 16776	(-)	Plate
10	W 21996	(-)	Handle, third function
	W 21995	(-)	Handle, boom
	W 21994	(-)	Handle, bucket
11	19H 1813	(-)	Screw, cap, 5/16" x 3/8" (4 used for two-function, 6 used for three-function)
12	12H 334	(-)	Washer, lock, 5/16" (6 used for two-function, 8 used for three-function)
13	24H 1243	(-)	Washer, flat, .060" x 11/32" x 5/8" (4 used for two-function, 6 used for three-function)
14	11H 266	(-)	Pin, cotter, 1/16" x 1/2" (2 used for two-function, 3 used for three-function)
15	L 4667 T	(-)	Pin (2 used for two-function, 3 used for three-function)
16	M 3742 T	(-)	Yoke (2 used for two-function, 3 used for three-function)
17	14H 860	(-)	Nut, 1/4" (2 used for two-function, 3 used for three-function)
18	19H 1789	(-)	Screw, cap, 5/16" x 1-3/8" (2 used)
19	19H 2127	(-)	Screw, cap, 5/16" x 7/8"
20	24H 1685	(-)	Washer, flat, .075 x 11/32" x 3/4"
21	37H 51	(-)	Screw, self tapping, 1/4" x 1/2" (2 used)
22	AW 16725	(-)	Cable, control (2 used for two-function, 3 used for three-function)
23	W 22956	(-)	Grommet, two-function
	W 23203	(-)	Grommet, three-function
24	W 23938	(-)	Template
25	W 22935	(-)	Plate
26	AW 16749	(-)	Console
27	12H 302	(-)	Washer, lock, 1/4" (2 used)
28	W 22302	(-)	Fastener
29	W 22975	(-)	Plate
30	R 52667	(-)	Lock, lever

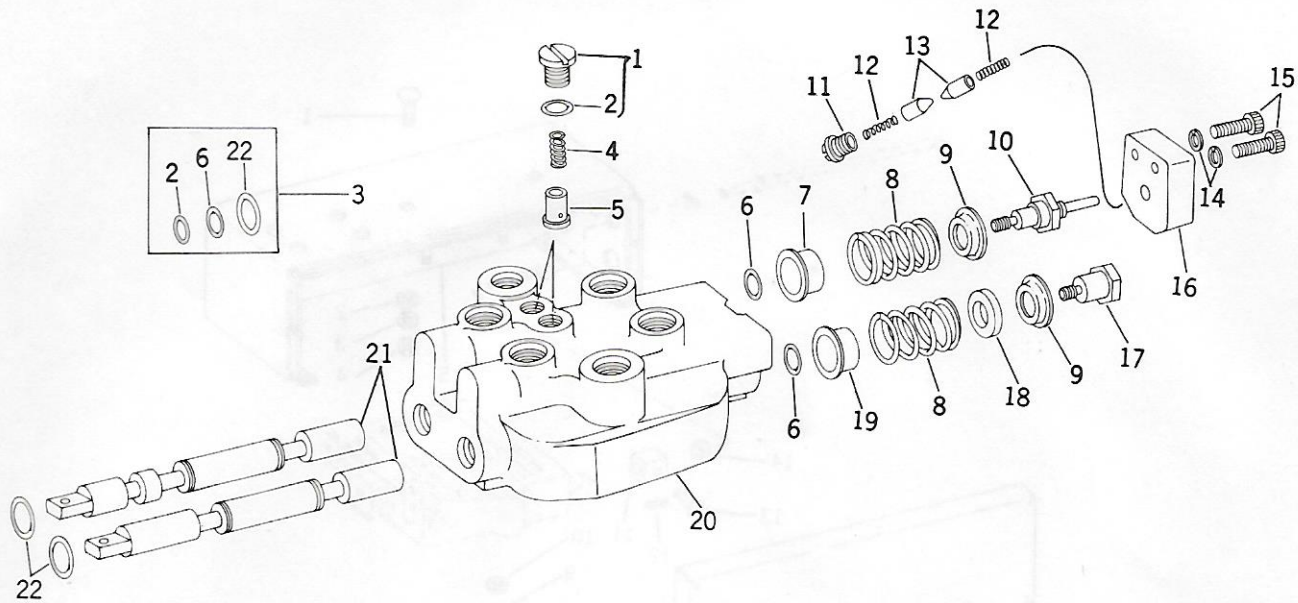
VALVE SUPPORT AND CONTROL CABLE CONNECTIONS
 (For John Deere 4030, 4230, 4430, and 4630 Tractors with Four Post Roll-Gard or Sound Gard Body)



W5015

Key	Part No.	Serial No.	Description
1	3H 1405	(-)	Bolt, carriage, 1/2" x 1-1/4" (2 used)
2	24H 1222	(-)	Washer, flat, .120" x 11/32" x 1-3/8" (2 used)
3	12H 301	(-)	Washer, lock, 1/2" (2 used)
4	14H 809	(-)	Nut, 1/2" (2 used)
5	AW 16754	(-)	Support, two-function
	AW 16735	(-)	Support, three-function
6	W 22913	(-)	Cover, bottom
7	37H 51	(-)	Screw, self tapping, 1/4" x 1/2" (6 used)
8	W 22904	(-)	Cover
9	14H 650	(-)	Nut, 5/16" (2 used)
10	12H 303	(-)	Washer, lock, 5/16" (2 used)
11	W 22899	(-)	Connector (2 used for two-function, 3 used for three-function)
12	11H 266	(-)	Pin, cotter, 1/16" x 1/2" (2 used for two-function, 3 used for three-function)
13	W 22900	(-)	Pin (2 used for two-function, 3 used for three-function)
14	14H 860	(-)	Nut, 1/4" (2 used for two-function, 3 used for three-function)

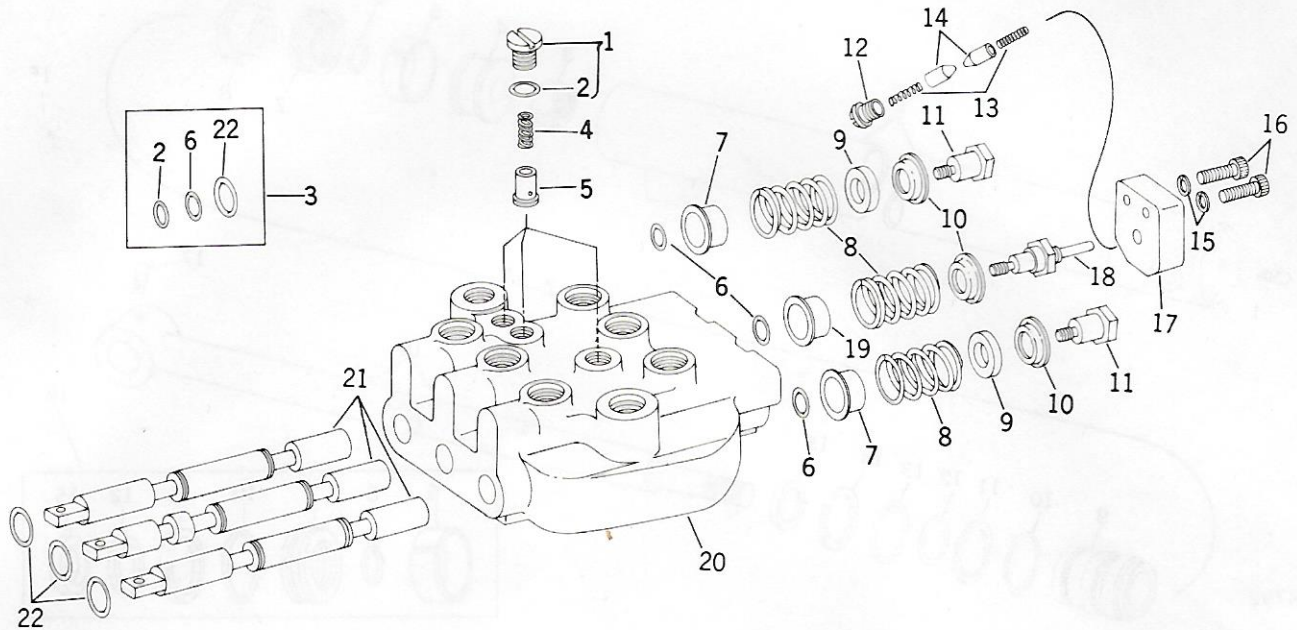
**INDEPENDENT CONTROL VALVE
(Two-Function)**



W4856

Key	Part No.	Serial No.	Description
1	AN 85149	(-)	Plug, lift-check (2 used)
2	R 394 R	(-)	O-ring (2 used)
3	AW 17034	(-)	Kit, repair
4	N 85304	(-)	Spring, lift check (2 used)
5	N 85302	(-)	Plunger, lift check (2 used)
6	U 40745	(-)	O-ring (2 used)
7	W 14652	(-)	Washer, deep
8	N 85301	(-)	Spring, spool centering (2 used)
9	N 85299	(-)	Washer, shallow (2 used)
10	W 23207	(-)	Screw, spool detent
11	W 14653	(-)	Plug, detent pawl
12	W 14655	(-)	Spring, detent pawl (2 used)
13	W 14650	(-)	Pawl, detent (2 used)
14	W 23208	(-)	Washer, lock, 1/4" (2 used)
15	W 23210	(-)	Screw, cap, socket head, 1/4" x 1" (2 used)
16	W 23206	(-)	Block, detent
17	N 140559	(-)	Screw, spool
18	W 23209	(-)	Washer, .9480" x .156"
19	H 35231	(-)	Washer, deep
20	...	(-)	Body (sub. AW16653)
21	...	(-)	Spool (sub. AW16653)
22	H 36256	(-)	O-ring (2 used)
..	AW 16653	(-)	Valve, complete

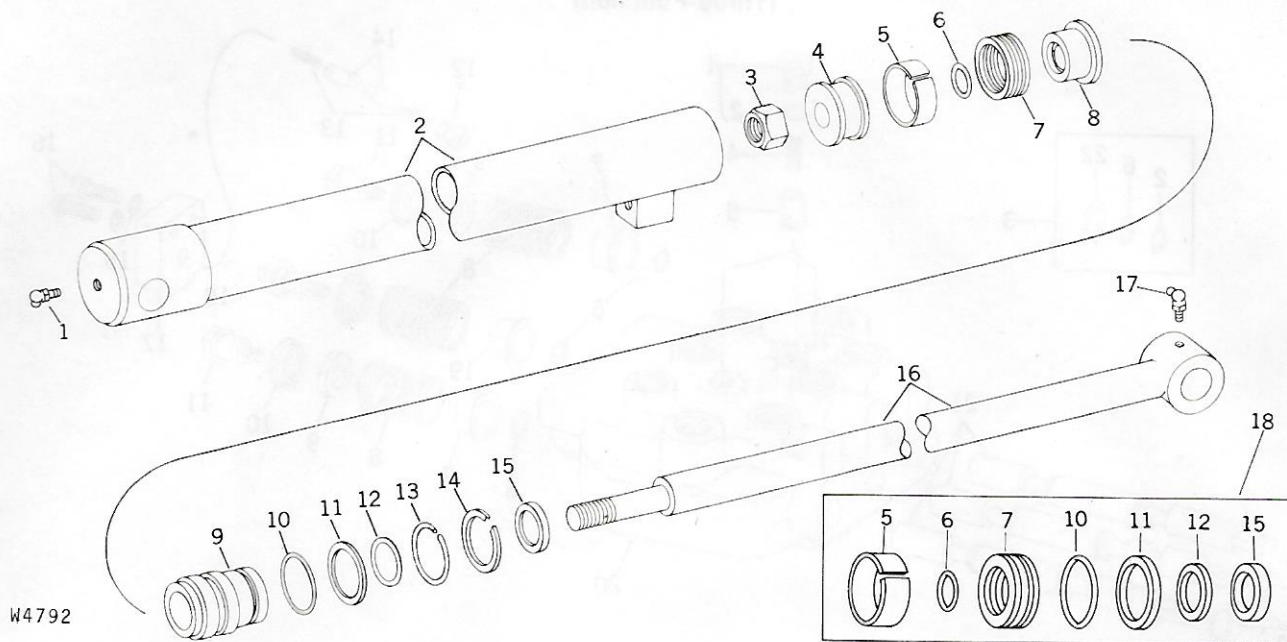
**INDEPENDENT CONTROL VALVE
(Three-Function)**



W4857

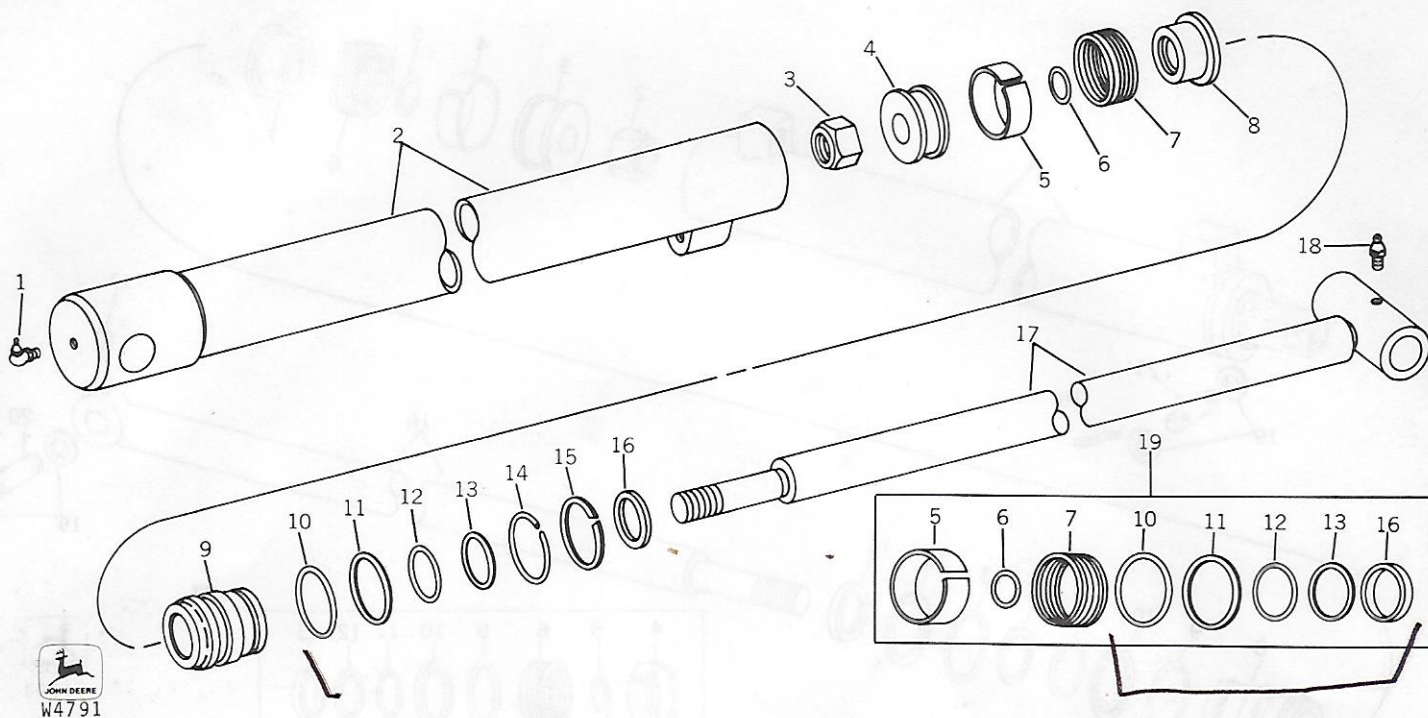
Key	Part No.	Serial No.	Description
1	AN 85149	(-)	Plug, lift check (3 used)
2	R 394 R	(-)	O-ring (3 used)
3	AW 17035	(-)	Kit, repair
4	N 85304	(-)	Spring, lift check (3 used)
5	N 85302	(-)	Plunger, lift check (3 used)
6	U 40745	(-)	O-ring (3 used)
7	H 35231	(-)	Washer, deep (2 used)
8	N 85301	(-)	Spring, spool centering (3 used)
9	W 23209	(-)	Washer, .9480" x .156" (2 used)
10	N 85299	(-)	Washer, shallow (3 used)
11	N 140559	(-)	Screw, spool (2 used)
12	W 14653	(-)	Plug, detent pawl
13	W 14655	(-)	Spring, detent pawl (2 used)
14	W 14650	(-)	Pawl, detent (2 used)
15	W 23208	(-)	Washer, lock, 1/4" (2 used)
16	W 23210	(-)	Screw, cap, socket head, 1/4" x 1" (2 used)
17	W 23206	(-)	Block, detent
18	W 23207	(-)	Screw, spool detent
19	W 14652	(-)	Washer, deep
20	...	(-)	Body (sub. AW16670)
21	...	(-)	Spool (sub. AW16670)
22	H 36256	(-)	O-ring (3 used)
..	AW 16670	(-)	Valve, complete

BOOM CYLINDERS



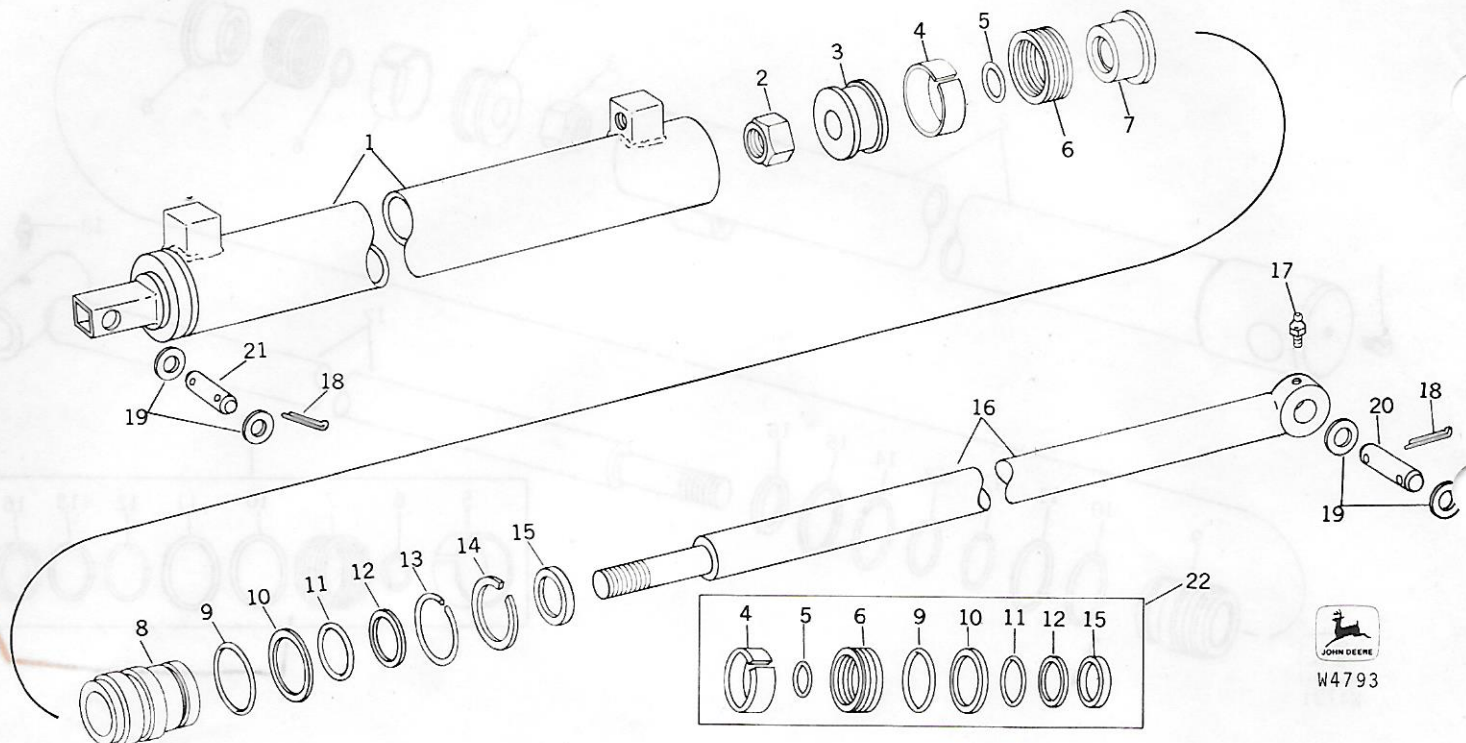
Key	Part No.	Serial No.	Description
1	JD 7806	(-)	Fitting, grease, 90° (head end) (148)
	JD 7788	(-)	Fitting, grease, 45° (head end) (158)
2	AW 15526	(-)	Barrel and head (148)
	AW 15534	(-)	Barrel and head (158)
3	U 13572	(-)	Nut
4	W 19766	(-)	Piston (148)
	W 20501	(-)	Piston (158)
5	U 17335	(-)	Ring, wear (148)
	W 20503	(-)	Seal (158)
6	A 3606 R	(-)	O-ring
7	U 12965	(-)	V-packing (148)
	U 12973	(-)	V-packing (158)
8	W 19767	(-)	Piston (148)
	U 17344	(-)	Piston (158)
9	W 19768	(-)	Guide, rod (148)
	W 20507	(-)	Guide, rod (158)
10	F 1870 R	(-)	O-ring (148)
	U 12198	(-)	O-ring (158)
11	U 13461	(-)	Washer, backup (148)
	U 13457	(-)	Washer, backup (158)
12	W 19765	(-)	Seal, U-cup
13	C 11739	(-)	Ring, snap (148)
	U 13570	(-)	Ring, snap (158)
14	C 15458	(-)	Ring, snap (148)
	C 19243	(-)	Ring, snap (158)
15	L 1206 N	(-)	Seal, wiper
16	AW 15524	(-)	Rod and end (148)
	AW 16007	(-)	Rod and end (158)
17	JD 7788	(-)	Fitting, grease, 45° (148)
	JD 7797	(-)	Fitting, grease (158)
18	AW 15058	(-)	Kit, repair, cylinder (148)
	AW 16443	(-)	Kit, repair, cylinder (158)
..	AW 15527	(-)	Cylinder, boom, complete (148, 2 used)
..	AW 15536	(-)	Cylinder, boom, complete (158, 2 used)

BUCKET CYLINDERS



Key	Part No.	Serial No.	Description
1	JD 7806	(-)	Fitting, grease, 90° (in head)
2	AW 16018	(-)	Barrel and head (148)
	AW 16031	(-)	Barrel and head (158)
3	U 10368	(-)	Nut (148)
	P 45231	(-)	Nut (158)
4	C 19253	(-)	Piston (148)
	W 20981	(-)	Piston (158)
5	C 19240	(-)	Ring, wear (148)
	U 17335	(-)	Ring, wear (158)
6	R 495 R	(-)	O-ring
7	C 12440	(-)	V-packing (148)
	C 14517	(-)	V-packing (158)
8	C 19241	(-)	Piston (148)
	W 20980	(-)	Piston (158)
9	W 21659	(-)	Guide, rod (148)
	C 15461	(-)	Guide, rod (158)
10	P 50631	(-)	O-ring (148)
	F 1870 R	(-)	O-ring (158)
11	C 12432	(-)	Washer, backup (148)
	U 13461	(-)	Washer, backup (158)
12	U 10289	(-)	O-ring
13	U 10291	(-)	Washer, backup
14	C 12431	(-)	Ring, snap (internal) (148)
	C 11739	(-)	Ring, snap (internal) (158)
15	C 15412	(-)	Ring, snap (external) (148)
	C 15458	(-)	Ring, snap (external) (158)
16	U 10296	(-)	Seal, wiper
17	AW 16019	(-)	Rod, piston (148)
	AW 16030	(-)	Rod, piston (158)
18	JD 7797	(-)	Fitting, grease (in rod end)
19	AW 16444	(-)	Kit, repair, cylinder (148)
	AW 16442	(-)	Kit, repair, cylinder (158)
..	AW 16020	(-)	Cylinder, bucket, complete (148, 2 used)
..	AW 16033	(-)	Cylinder, bucket, complete (158, 2 used)

GRAPPLE FORK OR HAYSTACKER CYLINDER



Key	Part No.	Serial No.	Description
1	AW 15039	(-)	Barrel and head
2	U 10368	(-)	Nut
3	W 20981	(-)	Piston
4	U 17335	(-)	Ring, wear
5	R 495 R	(-)	O-ring
6	C 14517	(-)	V-packing
7	W 20980	(-)	Piston
8	W 19684	(-)	Guide, rod
9	F 1870 R	(-)	O-ring
10	U 13461	(-)	Washer, backup
11	R 29463	(-)	O-ring
12	U 10064	(-)	Washer, backup
13	C 11739	(-)	Ring, snap (internal)
14	C 15458	(-)	Ring, snap (external)
15	C 10519	(-)	Seal, wiper
16	AC 16283	(-)	Rod and end
17	JD 7797	(-)	Fitting, grease, 1/4"
18	11H 274	(-)	Pin, cotter, 1/4" x 1-3/4" (4 used)
19	24H 1477	(-)	Washer, 1-5/32" x 1-3/4" x .060" (4 used)
20	C 19987	(-)	Pin, cylinder
21	C 19986	(-)	Pin, cylinder
22	AW 15060	(-)	Kit, repair, cylinder
..	AW 14971	(-)	Cylinder, grapple fork or haystacker, complete

