

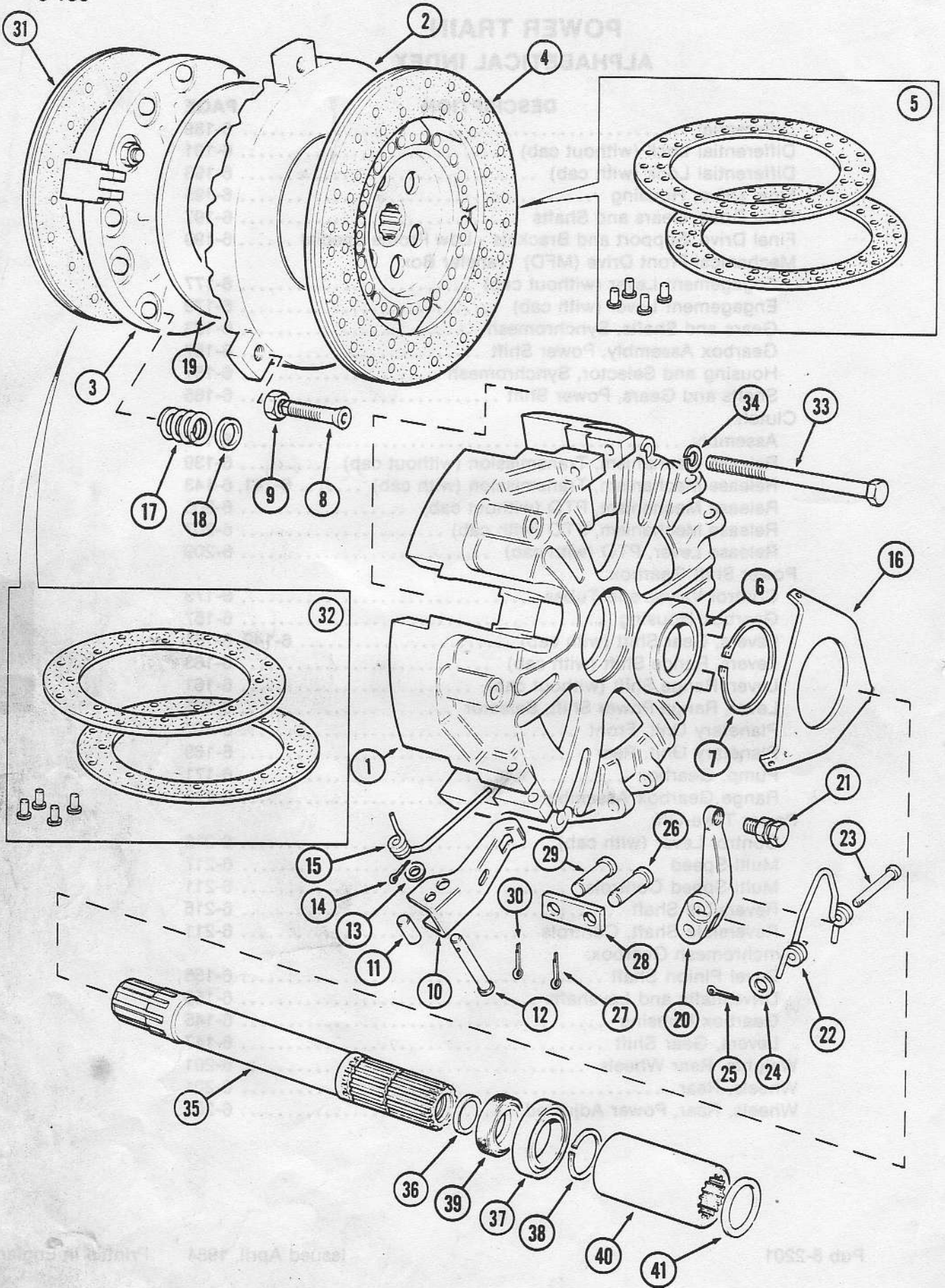
1
801-3

1394 TRACTOR
POWER TRAIN
ALPHABETICAL INDEX

DESCRIPTION	PAGE
Differential	6-189
Differential Lock (without cab)	6-191
Differential Lock (with cab)	6-193
Final Drive, Housing	6-195
Final Drive, Gears and Shafts	6-197
Final Drive, Support and Brackets - Low Profile Special	6-199
Mechanical Front Drive (MFD) Transfer Box:	
Engagement Lever (without cab)	6-177
Engagement Lever (with cab)	6-179
Gears and Shafts, Synchromesh	6-183
Gearbox Assembly, Power Shift	6-187
Housing and Selector, Synchromesh	6-181
Shafts and Gears, Power Shift	6-185
Clutch:	
Assembly	6-137
Release Mechanism, Transmission (without cab)	6-139
Release Mechanism, Transmission (with cab)	6-141, 6-143
Release Mechanism, PTO (without cab)	6-205
Release Mechanism, PTO (with cab)	6-207
Release Lever, PTO (with cab)	6-209
Power Shift Gearbox:	
Control Valves and Tubes	6-173
Gearbox Housing	6-157
Levers, Gear Shift (with cab)	6-149, 6-151
Levers, Range Shift (with cab)	6-163
Lever, Range Shift (without cab)	6-161
Lever, Range Power Shift, Selector	6-165
Planetary Unit, Front	6-167
Planetary Unit, Rear	6-169
Pump, Gearbox	6-171
Range Gearbox Assembly	6-175
Power Take-Off:	
Control Lever (with cab)	6-213
Multi-Speed	6-217
Multi-Speed Controls	6-211
Reversible Shaft	6-215
Reversible Shaft, Controls	6-211
Synchromesh Gearbox:	
Bevel Pinion Shaft	6-155
Driveshafts and Layshafts	6-153
Gearbox Housing	6-145
Levers, Gear Shift	6-147
Weights, Rear Wheels	6-201
Wheels, Rear	6-201
Wheels, Rear, Power Adjusted	6-203

POWER TRAIN
6

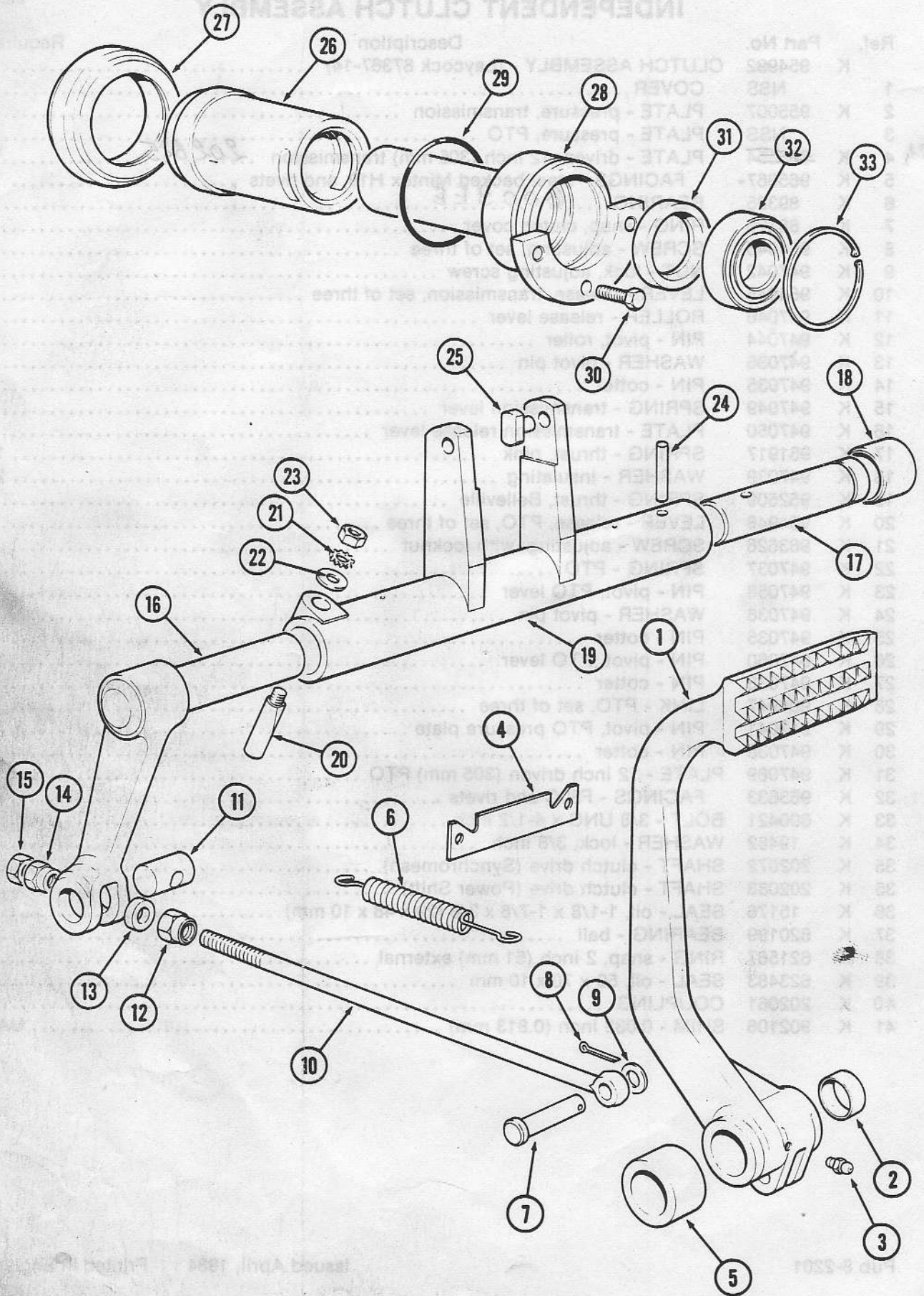
6-136



INDEPENDENT CLUTCH ASSEMBLY

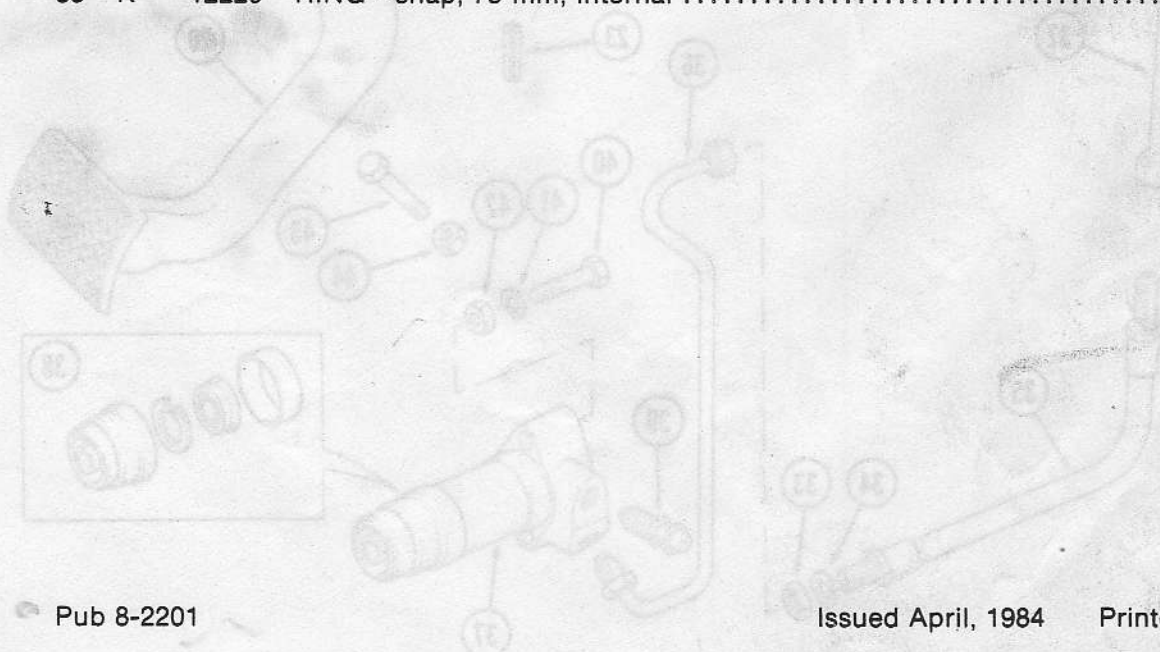
Ref.	Part No.	Description	Required
	K 954992	CLUTCH ASSEMBLY - (Laycock 87367-14)	1
1	NSS	COVER	1
2	K 955007	PLATE - pressure, transmission	1
3	NSS	PLATE - pressure, PTO	1
4	K 956554	PLATE - driven, 12 inch (305 mm) transmission <i>202 B25</i>	1
5	K 965867	FACINGS - steel backed Mintex H19, and rivets	1
6	K 89325	BEARING <i>GOOSE</i>	1
7	K 89326	RING - snap, clutch cover	1
8	K 964946	SCREW - adjusting, set of three	1
9	K 947042	NUT - lock, adjusting screw	3
10	K 964945	LEVER - release, transmission, set of three	1
11	K 947046	ROLLER - release lever	3
12	K 947044	PIN - pivot, roller	3
13	K 947036	WASHER - pivot pin	3
14	K 947035	PIN - cotter	3
15	K 947049	SPRING - transmission lever	3
16	K 947050	PLATE - transmission release lever	1
17	K 951917	SPRING - thrust, pink	12
18	K 947039	WASHER - insulating	24
19	K 952509	SPRING - thrust, Belleville	1
20	K 964948	LEVER - release, PTO, set of three	1
21	K 963626	SCREW - adjusting, with locknut	3
22	K 947037	SPRING - PTO	3
23	K 947058	PIN - pivot, PTO lever	3
24	K 947036	WASHER - pivot pin	6
25	K 947035	PIN - cotter	3
26	K 947060	PIN - pivot, PTO lever	3
27	K 947038	PIN - cotter	3
28	K 964947	LINK - PTO, set of three	1
29	K 947041	PIN - pivot, PTO pressure plate	3
30	K 947038	PIN - cotter	3
31	K 947089	PLATE - 12 inch driven (305 mm) PTO	1
32	K 963633	FACINGS - F30C and rivets	1
33	K 600421	BOLT - 3/8 UNC x 4-1/2 inch	6
34	K 19482	WASHER - lock, 3/8 inch	6
35	K 202072	SHAFT - clutch drive (Synchromesh)	1
35	K 202083	SHAFT - clutch drive (Power Shift)	1
36	K 15176	SEAL - oil, 1-1/8 x 1-7/8 x 3/8 (29 x 48 x 10 mm)	1
37	K 620199	BEARING - ball	1
38	K 621567	RING - snap, 2 inch (51 mm) external	1
39	K 623483	SEAL - oil, 50 x 70 x 10 mm	1
40	K 202061	COUPLING	1
41	K 902106	SHIM - 0.032 inch (0.813 mm)	UAR

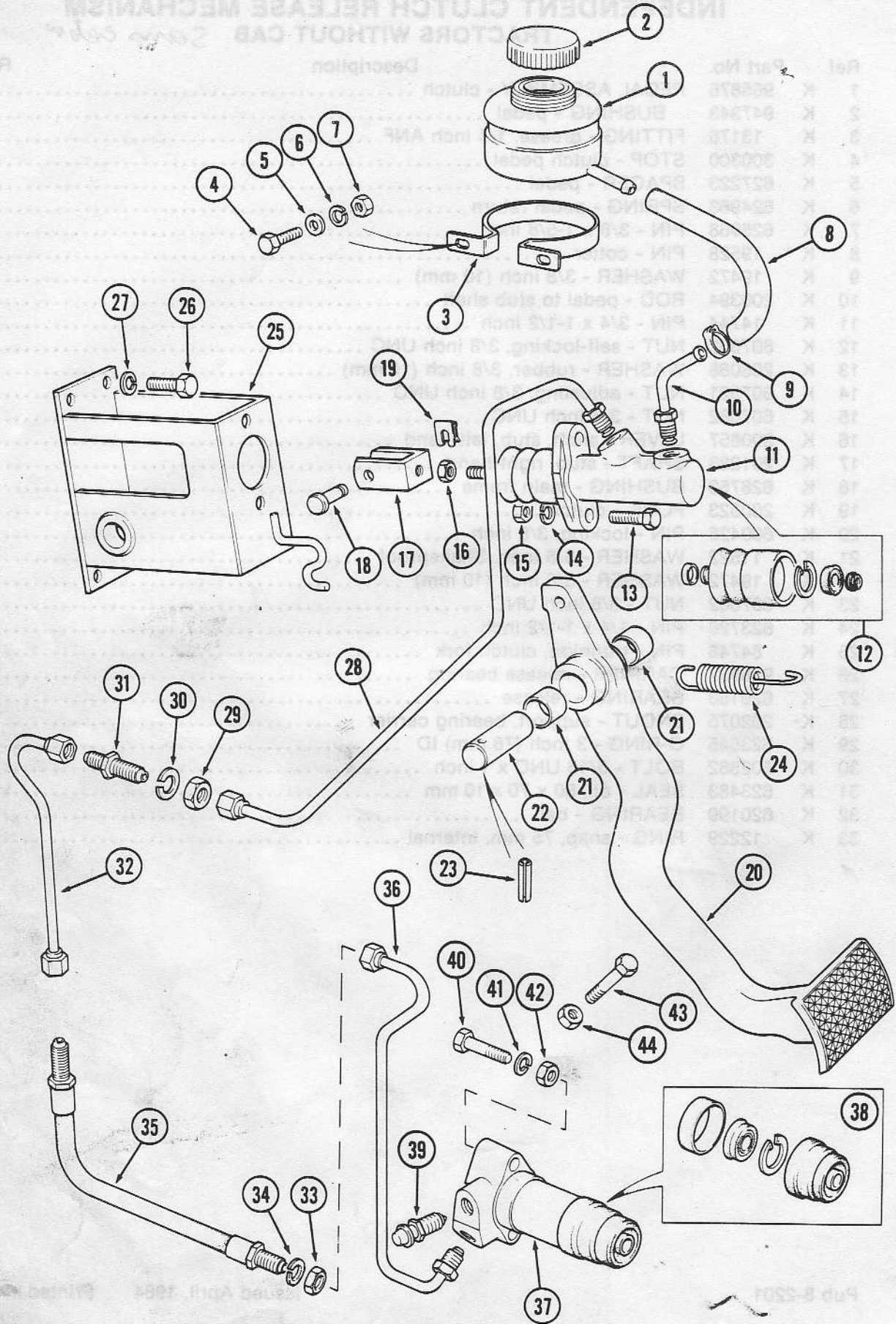
INDEPENDENT CLUTCH ASSEMBLY



INDEPENDENT CLUTCH RELEASE MECHANISM
TRACTORS WITHOUT CAB *Sans eabr*

Ref.	Part No.	Description	Required
1	K 965876	PEDAL ASSEMBLY - clutch	1
2	K 947343	BUSHING - pedal	2
3	K 13176	FITTING - grease, 1/4 inch ANF	1
4	K 300300	STOP - clutch pedal	1
5	K 627223	SPACER - pedal	1
6	K 624963	SPRING - pedal return	1
7	K 625968	PIN - 3/8 x 1-5/8 inch	1
8	K 19528	PIN - cotter	1
9	K 19472	WASHER - 3/8 inch (10 mm)	1
10	K 200394	ROD - pedal to stub shaft	1
11	K 14744	PIN - 3/4 x 1-1/2 inch	1
12	K 607002	NUT - self-locking, 3/8 inch UNC	1
13	K 205088	WASHER - rubber, 3/8 inch (10 mm)	1
14	K 607521	NUT - adjusting, 3/8 inch UNC	1
15	K 607082	NUT - 3/8 inch UNC	1
16	K 200657	LEVER - shaft, stub, left-hand	1
17	K 201283	SHAFT - stub, right-hand	1
18	K 628753	BUSHING - main frame	2
19	K 200323	FORK - clutch	1
20	K 609425	PIN - locking, 3/8 inch	1
21	K 11522	WASHER - 3/8 inch, Shakeproof	1
22	K 19472	WASHER - 3/8 inch (10 mm)	1
23	K 607002	NUT - 3/8 inch UNC	1
24	K 623726	PIN - 1/4 x 1-1/2 inch	1
25	K 84748	PIN - trunnion, clutch fork	2
26	K 928937	CARRIER - release bearing	1
27	K 620153	BEARING - release	1
28	K 202075	SNOOUT - support, bearing carrier	1
29	K 623545	O-RING - 3 inch (76 mm) ID	1
30	K 602862	BOLT - 5/16 UNC x 1 inch	3
31	K 623483	SEAL - oil, 50 x 70 x 10 mm	1
32	K 620199	BEARING - ball	1
33	K 12229	RING - snap, 75 mm, internal	1

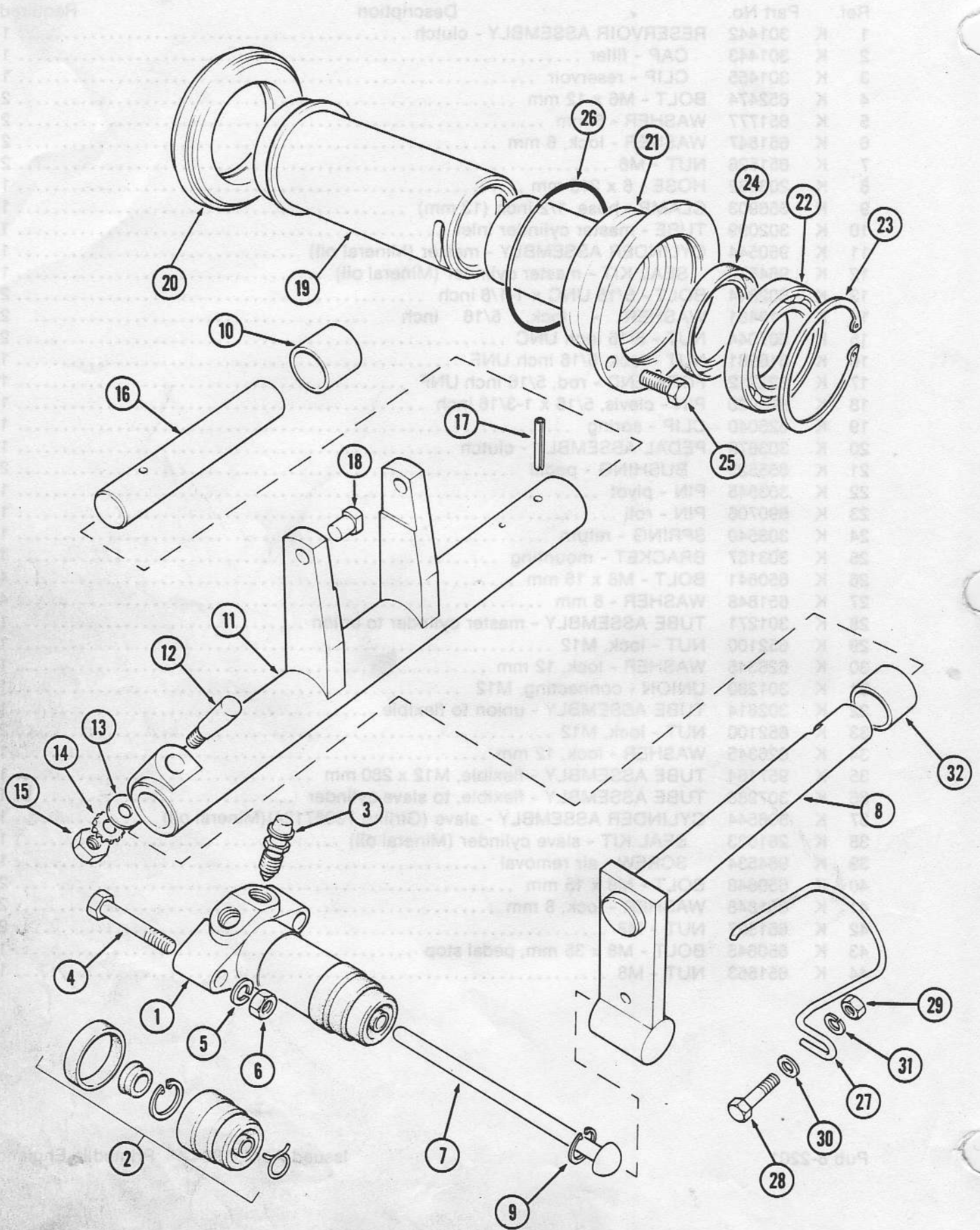




TRANSMISSION CLUTCH RELEASE MECHANISM TRACTORS WITH CAB

Ref.	Part No.	Description	Required
1	K 301442	RESERVOIR ASSEMBLY - clutch	1
2	K 301443	CAP - filler	1
3	K 301455	CLIP - reservoir	1
4	K 652474	BOLT - M6 x 12 mm	2
5	K 651777	WASHER - 6 mm	2
6	K 651847	WASHER - lock, 6 mm	2
7	K 651526	NUT - M6	2
8	K 203032	HOSE - 6 x 215 mm	1
9	K 656903	CLAMP - hose, 1/2 inch (13 mm)	1
10	K 302099	TUBE - master cylinder inlet	1
11	K 950544	CYLINDER ASSEMBLY - master (Mineral oil)	1
12	K 964572	SEAL KIT - master cylinder (Mineral oil)	1
13	K 602844	BOLT - 5/16 UNC x 1-1/8 inch	2
14	K 19481	WASHER - lock, 5/16 inch	2
15	K 607044	NUT - 5/16 inch UNC	2
16	K 616981	NUT - lock, 5/16 inch UNF	1
17	K 622212	FORK END - rod, 5/16 inch UNF	1
18	K 625930	PIN - clevis, 5/16 x 1-3/16 inch	1
19	K 625040	CLIP - spring	1
20	K 303679	PEDAL ASSEMBLY - clutch	1
21	K 655525	BUSHING - pedal	2
22	K 303545	PIN - pivot	1
23	K 690706	PIN - roll	1
24	K 303540	SPRING - return	1
25	K 303157	BRACKET - mounting	1
26	K 650641	BOLT - M8 x 16 mm	4
27	K 651848	WASHER - 8 mm	4
28	K 301271	TUBE ASSEMBLY - master cylinder to union	1
29	K 652100	NUT - lock, M12	1
30	K 626345	WASHER - lock, 12 mm	1
31	K 301280	UNION - connecting, M12	1
32	K 302614	TUBE ASSEMBLY - union to flexible	1
33	K 652100	NUT - lock, M12	2
34	K 626345	WASHER - lock, 12 mm	1
35	K 957164	TUBE ASSEMBLY - flexible, M12 x 280 mm	1
36	K 307988	TUBE ASSEMBLY - flexible, to slave cylinder	1
37	K 306544	CYLINDER ASSEMBLY - slave (Girling 73067124)(Mineral oil)	1
38	K 261633	SEAL KIT - slave cylinder (Mineral oil)	1
39	K 964534	SCREW - air removal	1
40	K 650648	BOLT - M8 x 15 mm	2
41	K 651848	WASHER - lock, 8 mm	2
42	K 651527	NUT - M8	2
43	K 650645	BOLT - M8 x 35 mm, pedal stop	1
44	K 651553	NUT - M8	1

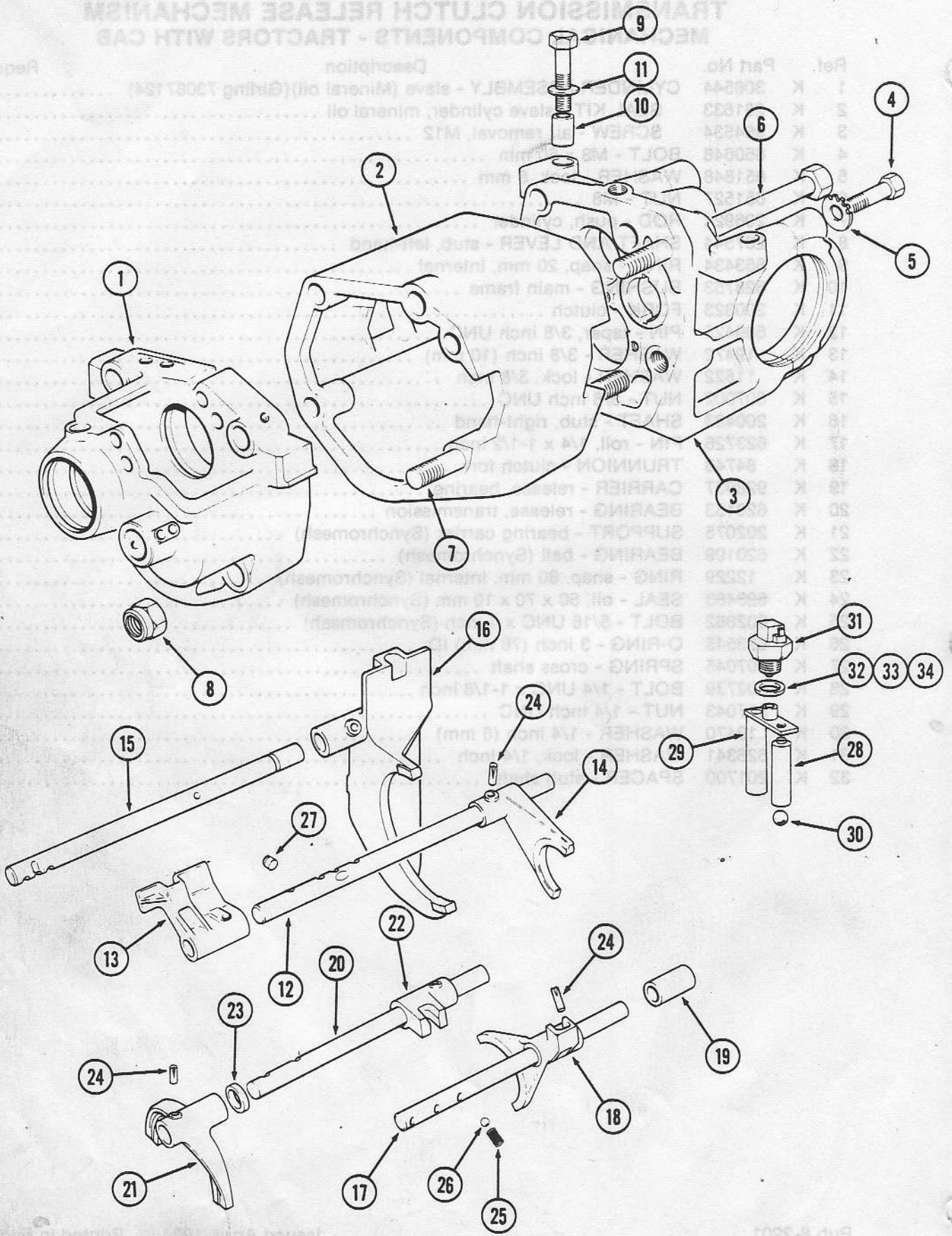
1954 TRACTOR
TRANSMISSION CLUTCH RELEASE MECHANISM
TRACTORS WITH CAB



TRANSMISSION CLUTCH RELEASE MECHANISM MECHANICAL COMPONENTS - TRACTORS WITH CAB

Ref.	Part No.	Description	Required
1	K 306544	CYLINDER ASSEMBLY - slave (Mineral oil)(Girling 73067124)	1
2	K 261633	SEAL KIT - slave cylinder, mineral oil	1
3	K 964534	SCREW - air removal, M12	1
4	K 650648	BOLT - M8 x 50 mm	2
5	K 651848	WASHER - lock, 8 mm	2
6	K 651527	NUT - M8	2
7	K 206924	ROD - push, cylinder	1
8	K 207544	SHAFT AND LEVER - stub, left-hand	1
9	K 653434	RING - snap, 20 mm, internal	1
10	K 628753	BUSHING - main frame	3
11	K 200323	FORK - clutch	1
12	K 609425	PIN - taper, 3/8 inch UNC	1
13	K 19472	WASHER - 3/8 inch (10 mm)	1
14	K 11522	WASHER - lock, 3/8 inch	1
15	K 607002	NUT - 3/8 inch UNC	1
16	K 200483	SHAFT - stub, right-hand	1
17	K 623726	PIN - roll, 1/4 x 1-1/2 inch	1
18	K 84748	TRUNNION - clutch fork	2
19	K 928937	CARRIER - release, bearing	1
20	K 620153	BEARING - release, transmission	1
21	K 202075	SUPPORT - bearing carrier (Synchromesh)	1
22	K 620199	BEARING - ball (Synchromesh)	1
23	K 12229	RING - snap, 80 mm, internal (Synchromesh)	1
24	K 623483	SEAL - oil, 50 x 70 x 10 mm (Synchromesh)	1
25	K 602862	BOLT - 5/16 UNC x 1 inch (Synchromesh)	3
26	K 623545	O-RING - 3 inch (76 mm) ID	1
27	K 207045	SPRING - cross shaft	1
28	K 602739	BOLT - 1/4 UNC x 1-1/8 inch	1
29	K 607043	NUT - 1/4 inch UNC	1
30	K 19470	WASHER - 1/4 inch (6 mm)	1
31	K 626341	WASHER - lock, 1/4 inch	1
32	K 201700	SPACER - stub shaft	1

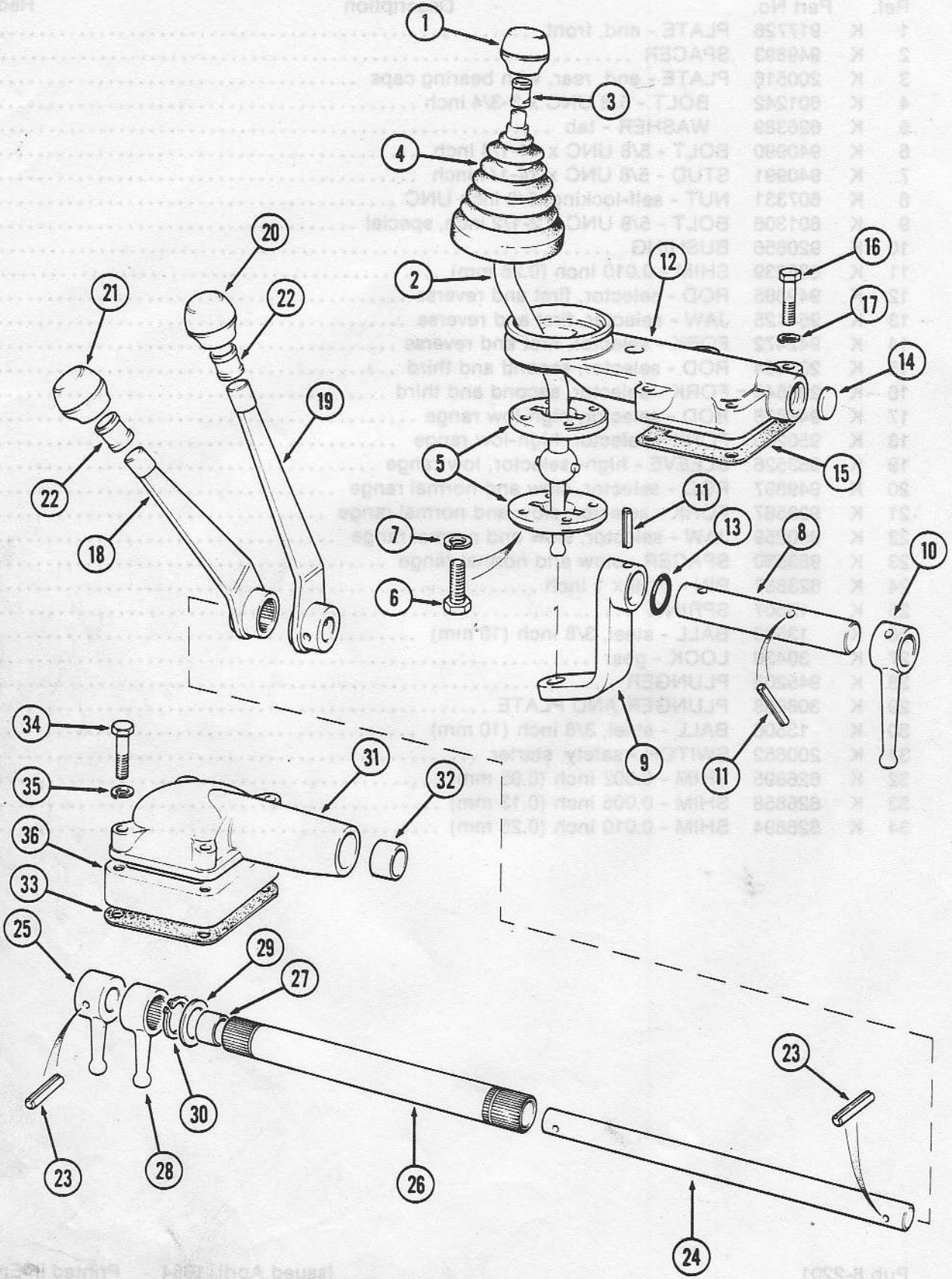
TRANSMISSION CLUTCH RELEASE MECHANISM
MECHANISM COMPONENTS - TRACTORS WITH CAB



GEARBOX HOUSING AND SELECTOR MECHANISM SYNCHROMESH

Ref.	Part No.	Description	Required
1	K 917726	PLATE - end, front	1
2	K 949893	SPACER	1
3	K 200516	PLATE - end, rear, with bearing caps	1
4	K 601242	BOLT - 5/8 UNC x 3-3/4 inch	4
5	K 626389	WASHER - tab	4
6	K 940990	BOLT - 5/8 UNC x 14-1/4 inch	2
7	K 940991	STUD - 5/8 UNC x 14-1/4 inch	2
8	K 607331	NUT - self-locking, 5/8 inch UNC	4
9	K 601306	BOLT - 5/8 UNC x 2-1/2 inch, special	2
10	K 920656	BUSHING	2
11	K 626239	SHIM - 0.010 inch (0.25 mm)	UAR
12	K 949895	ROD - selector, first and reverse	1
13	K 954125	JAW - selector, first and reverse	1
14	K 942472	FORK - selector, first and reverse	1
15	K 207164	ROD - selector, second and third	1
16	K 206543	FORK - selector, second and third	1
17	K 949898	ROD - selector, high-low range	1
18	K 950260	FORK - selector, high-low range	1
19	K 953526	SLEEVE - high- selector, low range	1
20	K 949897	ROD - selector, slow and normal range	1
21	K 928567	FORK - selector, slow and normal range	1
22	K 950259	JAW - selector, slow and normal range	1
23	K 953530	SPACER - slow and normal range	1
24	K 623887	PIN - 3/16 x 1 inch	7
25	K 13507	SPRING	4
26	K 13506	BALL - steel, 3/8 inch (10 mm)	4
27	K 30430	LOCK - gear	1
28	K 945208	PLUNGER	1
29	K 308068	PLUNGER AND PLATE	1
30	K 13506	BALL - steel, 3/8 inch (10 mm)	2
31	K 200652	SWITCH - safety, starter	1
32	K 626895	SHIM - 0.002 inch (0.05 mm)	UAR
33	K 626858	SHIM - 0.005 inch (0.13 mm)	UAR
34	K 626894	SHIM - 0.010 inch (0.25 mm)	UAR

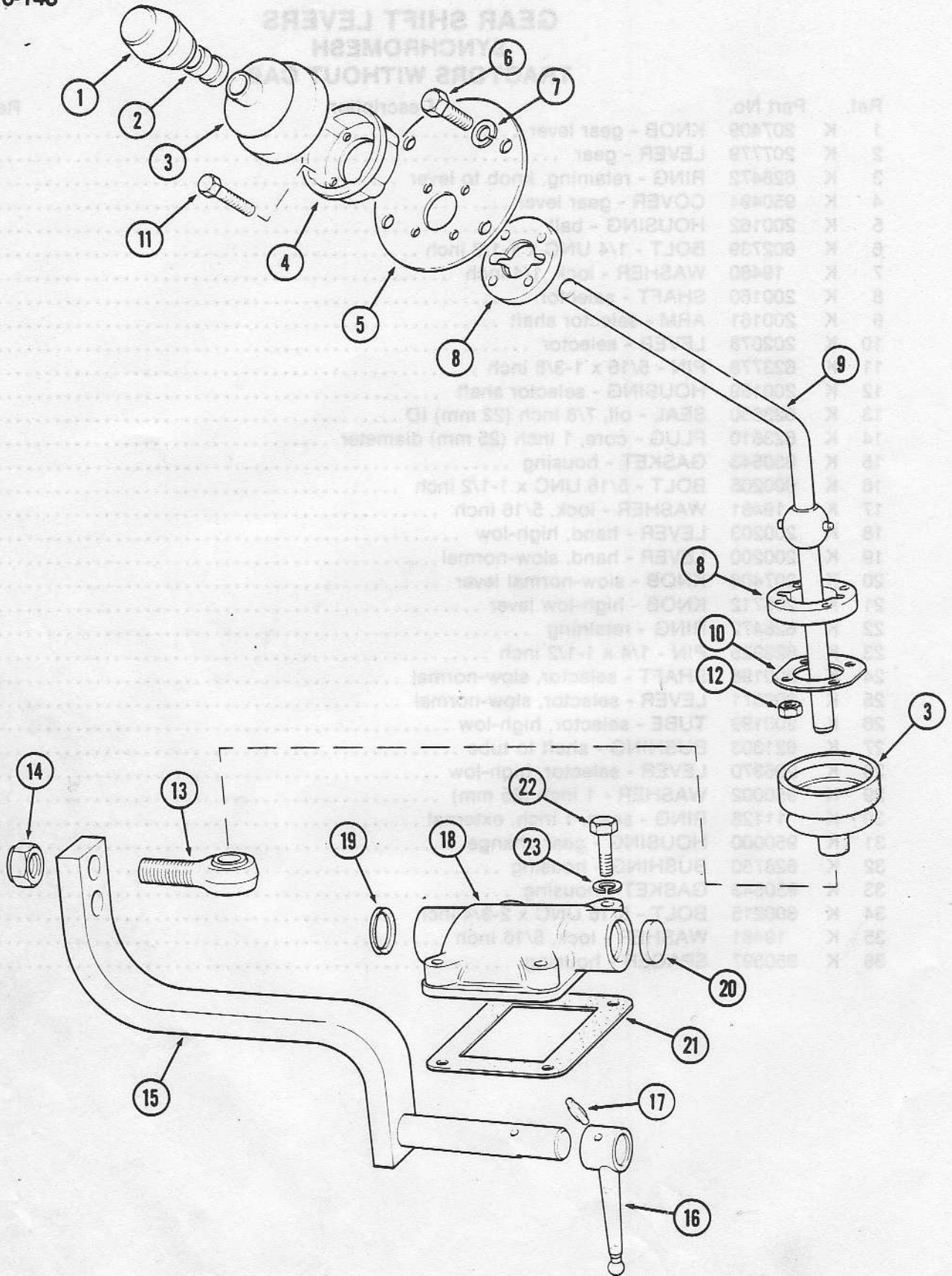
GEARBOX HOUSING AND SELECTOR MECHANISM



GEAR SHIFT LEVERS SYNCHROMESH TRACTORS WITHOUT CAB

Ref.	Part No.	Description	Required
1	K 207409	KNOB - gear lever	1
2	K 207779	LEVER - gear	1
3	K 628472	RING - retaining, knob to lever	1
4	K 950494	COVER - gear lever	1
5	K 200162	HOUSING - ball	2
6	K 602739	BOLT - 1/4 UNC x 1-1/8 inch	4
7	K 19480	WASHER - lock, 1/4 inch	4
8	K 200160	SHAFT - selector	1
9	K 200161	ARM - selector shaft	1
10	K 202078	LEVER - selector	1
11	K 623778	PIN - 5/16 x 1-3/8 inch	2
12	K 200159	HOUSING - selector shaft	1
13	K 623630	SEAL - oil, 7/8 inch (22 mm) ID	1
14	K 623810	PLUG - core, 1 inch (25 mm) diameter	1
15	K 950543	GASKET - housing	1
16	K 600205	BOLT - 5/16 UNC x 1-1/2 inch	4
17	K 19481	WASHER - lock, 5/16 inch	4
18	K 200203	LEVER - hand, high-low	1
19	K 200200	LEVER - hand, slow-normal	1
20	K 207408	KNOB - slow-normal lever	1
21	K 206712	KNOB - high-low lever	1
22	K 628472	RING - retaining	2
23	K 623925	PIN - 1/4 x 1-1/2 inch	2
24	K 200198	SHAFT - selector, slow-normal	1
25	K 206371	LEVER - selector, slow-normal	1
26	K 200199	TUBE - selector, high-low	1
27	K 621303	BUSHING - shaft to tube	2
28	K 206370	LEVER - selector, high-low	1
29	K 950002	WASHER - 1 inch (25 mm)	1
30	K 11128	RING - snap, 1 inch, external	1
31	K 950000	HOUSING - gear change	1
32	K 628750	BUSHING - housing	1
33	K 950543	GASKET - housing	2
34	K 600215	BOLT - 5/16 UNC x 2-3/4 inch	4
35	K 19481	WASHER - lock, 5/16 inch	4
36	K 950597	SPACER - housing	1

GEAR SHIFT LEVERS

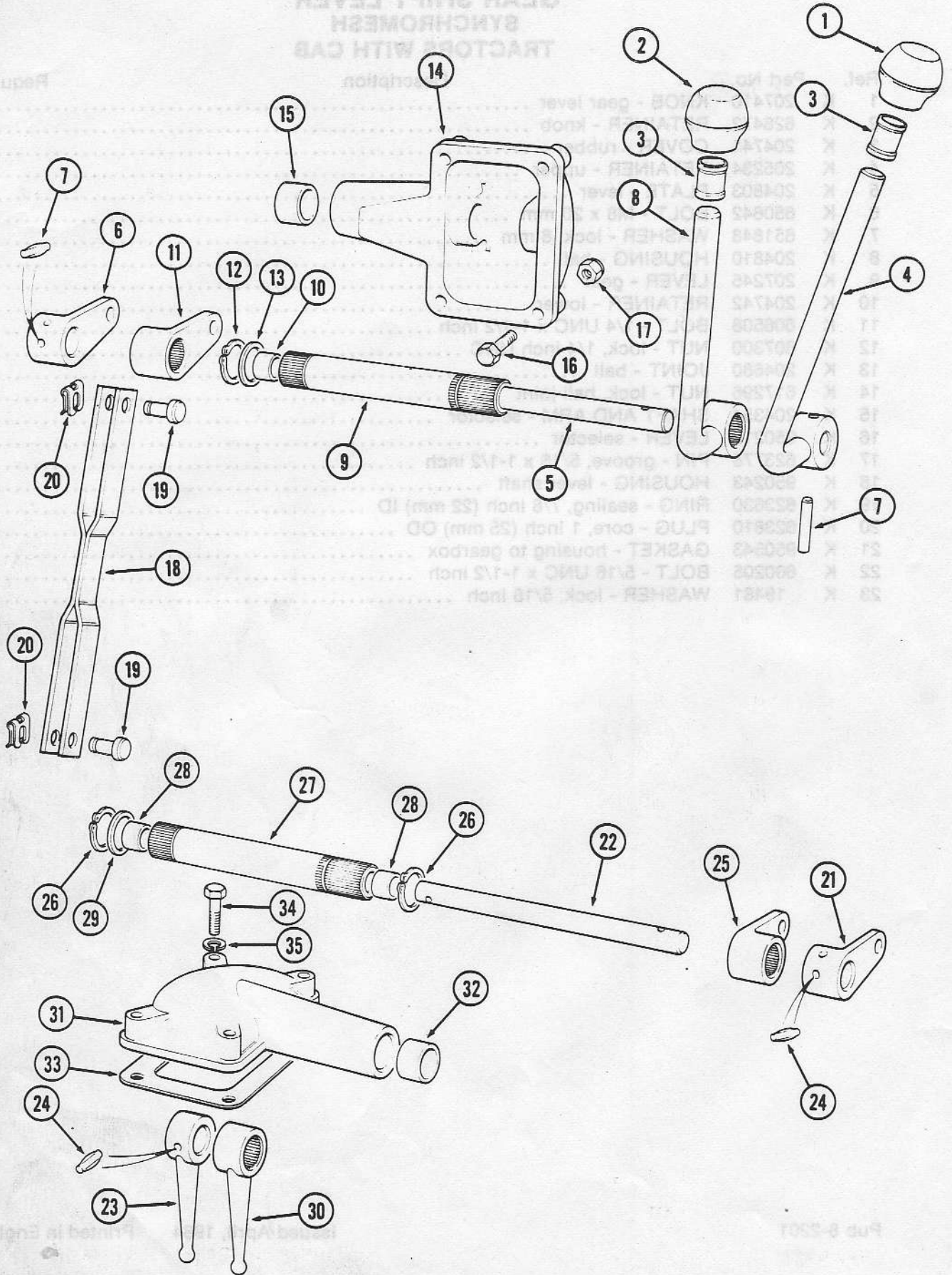


Part No.	Part Name	QTY
1	KNOB - gear lever	1
2	LEVER - gear	2
3	RING - retaining	3
4	COVER - gear lever	4
5	HOUSING - gear lever	5
6	BOLT - 1/4 UNF	6
7	WASHER	7
8	SHAFT	8
9	ARM	9
10	LEVER - selector	10
11	HOUSING - selector	11
12	FLUG - 5/16 x 1-3/8 inch	12
13	FLUG - off 7/8 inch (22 mm) ID	13
14	FLUG - cone 1 inch (25 mm) diameter	14
15	GASKET - housing	15
16	BOLT - 5/16 UNC x 1-1/2 inch	16
17	WASHER - lock 5/16 inch	17
18	LEVER - hand high-low	18
19	LEVER - hand slow-normal	19
20	OS - slow-normal level	20
21	HOUS - high level	21
22	WING - retaining	22
23	BOLT - 1/4 x 1-1/2 inch	23

GEAR SHIFT LEVER SYNCHROMESH TRACTORS WITH CAB

Ref.	Part No.	Description	Required
1	K 207410	KNOB - gear lever	1
2	K 628472	RETAINER - knob	1
3	K 204741	COVER - rubber	2
4	K 205234	RETAINER - upper	1
5	K 204803	PLATE - lever	1
6	K 650642	BOLT - M8 x 20 mm	4
7	K 651848	WASHER - lock, 8 mm	4
8	K 204810	HOUSING - ball	2
9	K 207245	LEVER - gear	1
10	K 204742	RETAINER - lower	1
11	K 606508	BOLT - 1/4 UNC x 1-1/2 inch	4
12	K 607300	NUT - lock, 1/4 inch UNC	4
13	K 204680	JOINT - ball	1
14	K 617296	NUT - lock, ball joint	1
15	K 204354	SHAFT AND ARM - selector	1
16	K 950215	LEVER - selector	1
17	K 623778	PIN - groove, 5/16 x 1-1/2 inch	1
18	K 950243	HOUSING - lever shaft	1
19	K 623630	RING - sealing, 7/8 inch (22 mm) ID	1
20	K 623810	PLUG - core, 1 inch (25 mm) OD	1
21	K 950543	GASKET - housing to gearbox	1
22	K 600205	BOLT - 5/16 UNC x 1-1/2 inch	4
23	K 19481	WASHER - lock, 5/16 inch	4

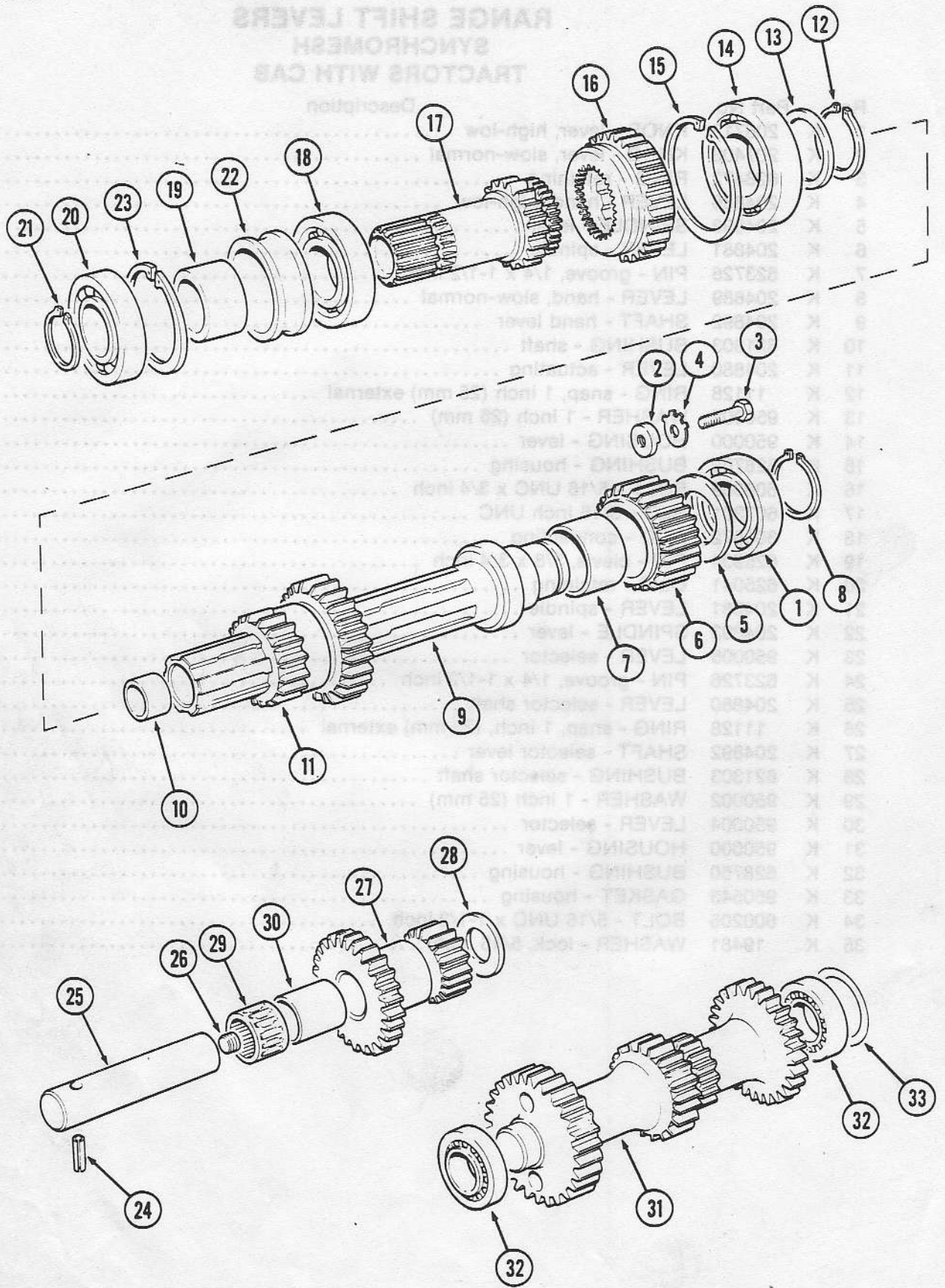
GEAR SHIFT LEVER
SYNCHROMESH
TRACTOR WITH CAB



**RANGE SHIFT LEVERS
SYNCHROMESH
TRACTORS WITH CAB**

Ref.	Part No.	Description	Required
1	K 206712	KNOB - lever, high-low	1
2	K 207408	KNOB - lever, slow-normal	1
3	K 628472	RING - retaining	2
4	K 204886	LEVER - hand, high-low	1
5	K 204893	SPINDLE - lever	1
6	K 204881	LEVER - spindle	1
7	K 623726	PIN - groove, 1/4 x 1-1/2 inch	2
8	K 204889	LEVER - hand, slow-normal	1
9	K 204892	SHAFT - hand lever	1
10	K 621303	BUSHING - shaft	2
11	K 204880	LEVER - actuating	1
12	K 11128	RING - snap, 1 inch (25 mm) external	2
13	K 950002	WASHER - 1 inch (25 mm)	1
14	K 950000	HOUSING - lever	1
15	K 628750	BUSHING - housing	1
16	K 600369	BOLT - 5/16 UNC x 3/4 inch	4
17	K 607301	NUT - 5/16 inch UNC	4
18	K 305572	ROD - connecting	2
19	K 625934	PIN - clevis, 3/8 x 3/4 inch	4
20	K 625041	CLIP - retaining	4
21	K 204881	LEVER - spindle	1
22	K 204893	SPINDLE - lever	1
23	K 950005	LEVER - selector	1
24	K 623726	PIN - groove, 1/4 x 1-1/2 inch	2
25	K 204880	LEVER - selector shaft	1
26	K 11128	RING - snap, 1 inch, (25 mm) external	2
27	K 204892	SHAFT - selector lever	1
28	K 621303	BUSHING - selector shaft	2
29	K 950002	WASHER - 1 inch (25 mm)	1
30	K 950004	LEVER - selector	1
31	K 950000	HOUSING - lever	1
32	K 628750	BUSHING - housing	1
33	K 950543	GASKET - housing	2
34	K 600205	BOLT - 5/16 UNC x 1-1/2 inch	4
35	K 19481	WASHER - lock, 5/16 inch	4

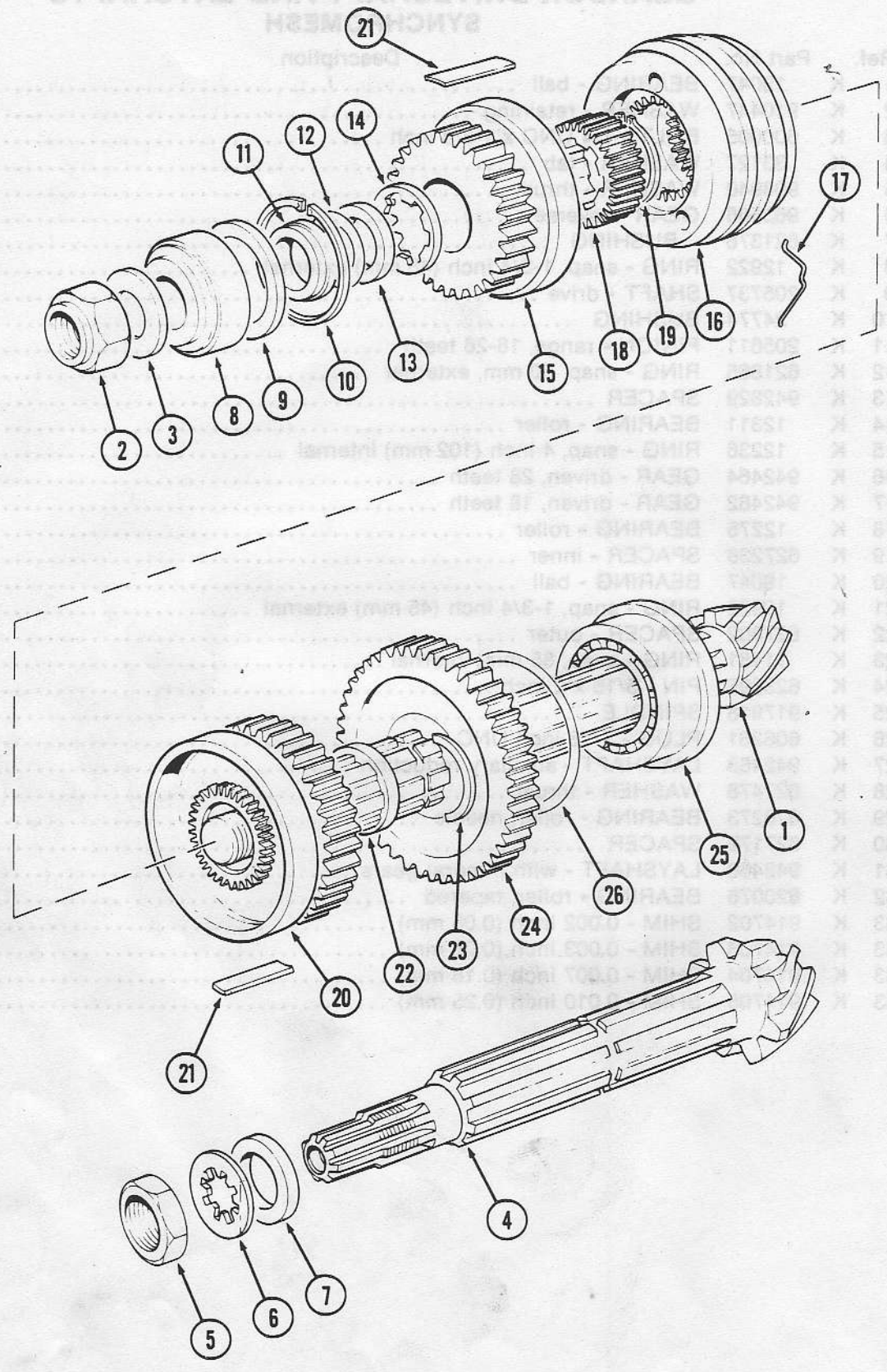
1964 TRACTOR
RANGE SHIFT LEVERS
SYNCHROMESH
TRACTORS WITH CAB



GEARBOX DRIVESHAFT AND LAYSHAFTS SYNCHROMESH

Ref.	Part No.	Description	Required
1	K 19047	BEARING - ball	1
2	K 910447	WASHER - retaining	1
3	K 600005	BOLT - 1/4 UNC x 1-3/8 inch	1
4	K 33127	WASHER - tab	1
5	K 908940	WASHER - thrust	1
6	K 963566	GEAR - reverse	1
7	K 621376	BUSHING	1
8	K 12922	RING - snap, 1-3/4 inch (45 mm) external	1
9	K 205737	SHAFT - drive	1
10	K 24774	BUSHING	1
11	K 205611	PINION - range, 18-26 teeth	1
12	K 621865	RING - snap, 50 mm, external	1
13	K 942829	SPACER	1
14	K 12311	BEARING - roller	1
15	K 12236	RING - snap, 4 inch (102 mm) internal	1
16	K 942464	GEAR - driven, 28 teeth	1
17	K 942462	GEAR - driven, 18 teeth	1
18	K 12275	BEARING - roller	1
19	K 627238	SPACER - inner	1
20	K 19047	BEARING - ball	1
21	K 12922	RING - snap, 1-3/4 inch (45 mm) external	1
22	K 627302	SPACER - outer	1
23	K 11481	RING - snap, 85 mm, internal	2
24	K 623895	PIN - 5/16 x 2 inch	1
25	K 917918	SPINDLE	1
26	K 606261	PLUG - 7/16 inch UNC	1
27	K 942463	LAYSHAFT - auxiliary reduction	1
28	K 627478	WASHER - thrust	2
29	K 620273	BEARING - roller, needle	2
30	K 627179	SPACER	1
31	K 942460	LAYSHAFT - with integral gears	1
32	K 620076	BEARING - roller, tapered	2
33	K 914702	SHIM - 0.002 inch (0.05 mm)	UAR
33	K 914703	SHIM - 0.003 inch (0.08 mm)	UAR
33	K 914704	SHIM - 0.007 inch (0.18 mm)	UAR
33	K 914705	SHIM - 0.010 inch (0.25 mm)	UAR

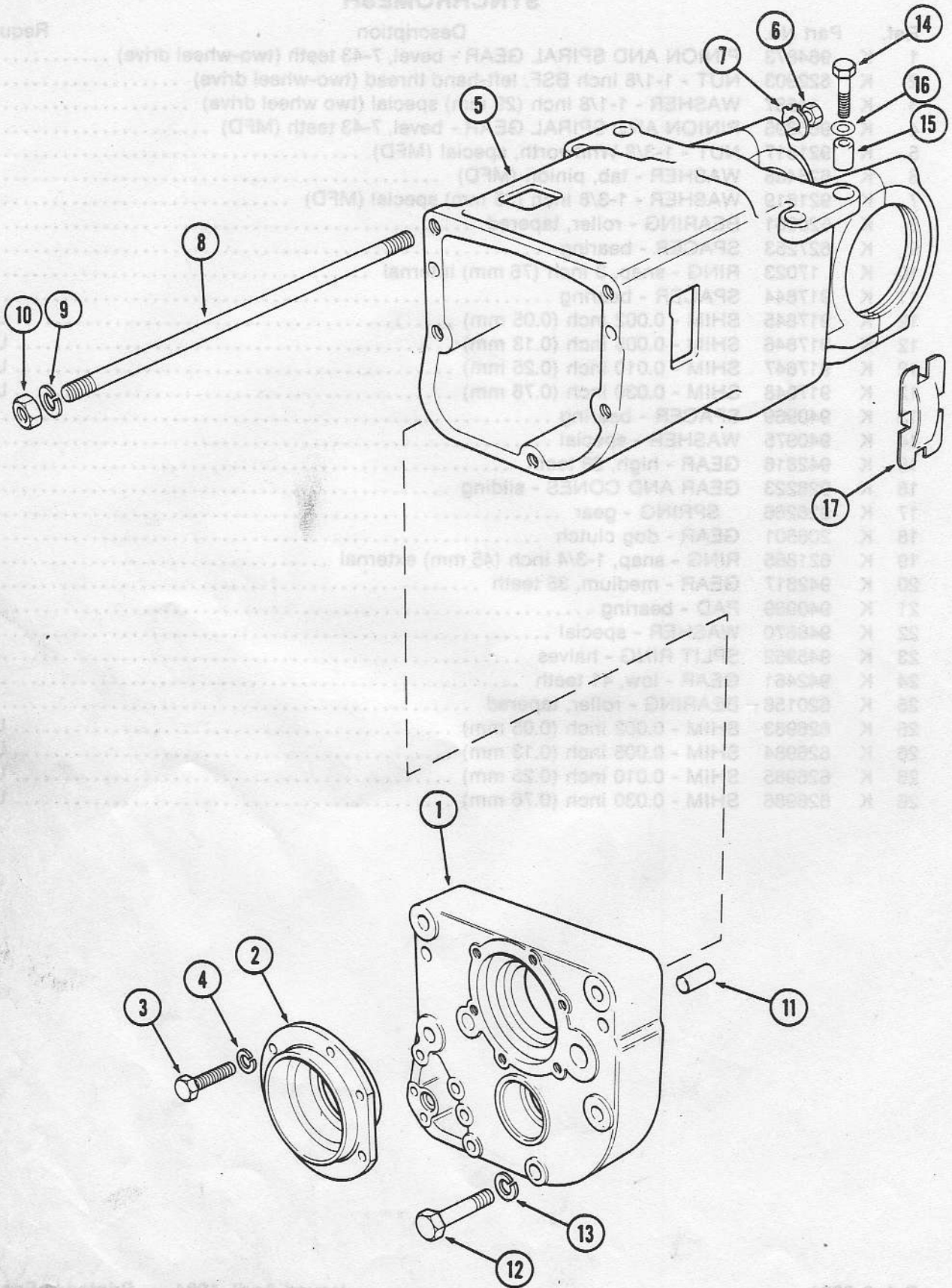
1984 TRACTOR
GEARBOX DRIVESHAFT AND LAYSCHAFTS
SYNCHRONIZER



BEVEL PINION SHAFT SYNCHROMESH

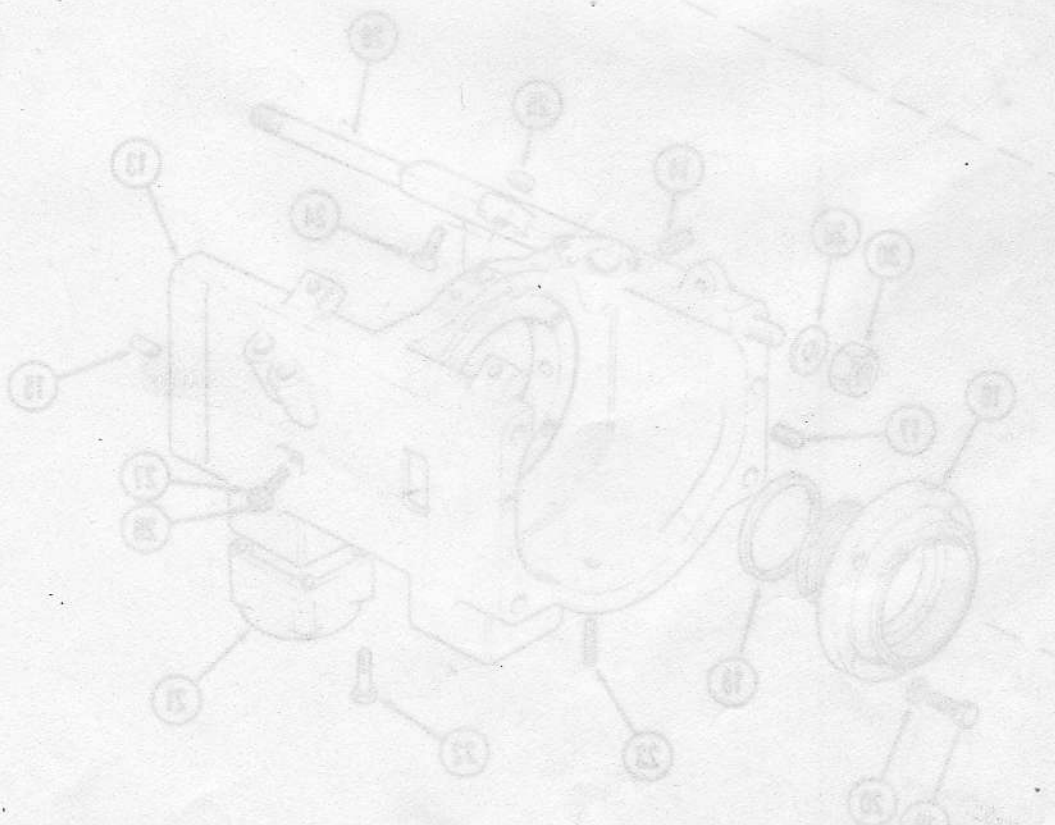
Ref.	Part No.	Description	Required
1	K 964873	PINION AND SPIRAL GEAR - bevel, 7-43 teeth (two-wheel drive)	1
2	K 622803	NUT - 1-1/8 inch BSF, left-hand thread (two-wheel drive)	1
3	K 14687	WASHER - 1-1/8 inch (29 mm) special (two wheel drive)	1
4	K 965895	PINION AND SPIRAL GEAR - bevel, 7-43 teeth (MFD)	1
5	K 921817	NUT - 1-3/8 Whitworth, special (MFD)	1
6	K 626438	WASHER - tab, pinion (MFD)	1
7	K 921819	WASHER - 1-3/8 inch (35 mm) special (MFD)	1
8	K 620061	BEARING - roller, tapered	1
9	K 627253	SPACER - bearing	1
10	K 17023	RING - snap, 3 inch (76 mm) internal	1
11	K 917844	SPACER - bearing	1
12	K 917845	SHIM - 0.002 inch (0.05 mm)	UAR
12	K 917846	SHIM - 0.005 inch (0.13 mm)	UAR
12	K 917847	SHIM - 0.010 inch (0.25 mm)	UAR
12	K 917848	SHIM - 0.030 inch (0.76 mm)	UAR
13	K 940969	SPACER - bearing	1
14	K 940975	WASHER - special	1
15	K 942816	GEAR - high, 28 teeth	1
16	K 928223	GEAR AND CONES - sliding	1
17	K 926266	SPRING - gear	6
18	K 206501	GEAR - dog clutch	2
19	K 621865	RING - snap, 1-3/4 inch (45 mm) external	1
20	K 942817	GEAR - medium, 35 teeth	1
21	K 940989	PAD - bearing	12
22	K 948670	WASHER - special	2
23	K 945962	SPLIT RING - halves	2
24	K 942461	GEAR - low, 41 teeth	1
25	K 620158	BEARING - roller, tapered	1
26	K 626983	SHIM - 0.002 inch (0.05 mm)	UAR
26	K 626984	SHIM - 0.005 inch (0.13 mm)	UAR
26	K 626985	SHIM - 0.010 inch (0.25 mm)	UAR
26	K 626986	SHIM - 0.030 inch (0.76 mm)	UAR

1994 TRACTOR
BEVEL PINION SHAFT
SYNCHROMESH

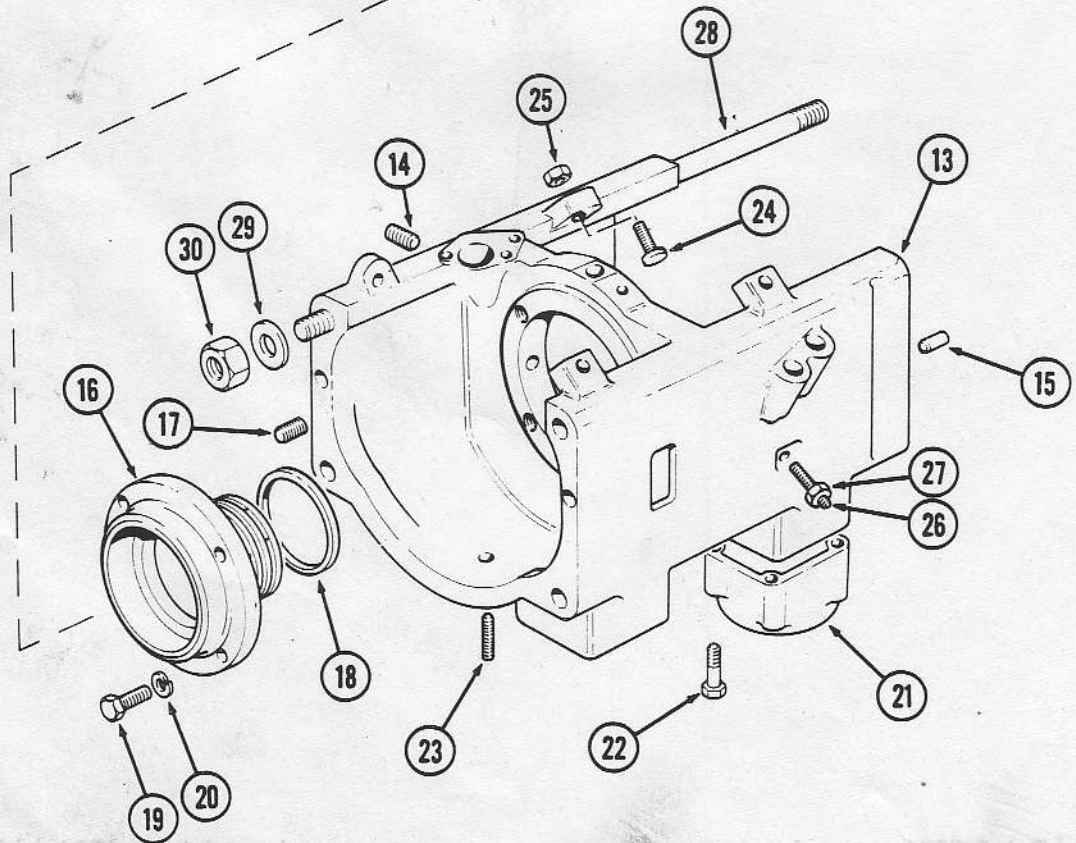
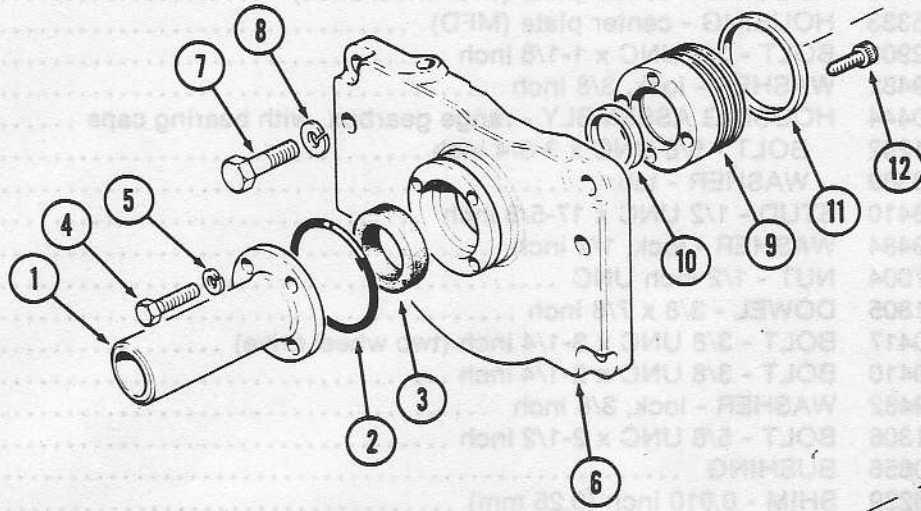


GEARBOX HOUSING POWER SHIFT

Ref.	Part No.	Description	Required
1	K 940299	PLATE - end, center, (two wheel drive)	1
1	K 952975	PLATE - end, center, (MFD)	1
2	K 928480	HOUSING - center plate (two wheel drive)	1
2	K 955333	HOUSING - center plate (MFD)	1
3	K 602905	BOLT - 3/8 UNC x 1-1/8 inch	6
4	K 19482	WASHER - lock, 3/8 inch	6
5	K 200444	HOUSING ASSEMBLY - range gearbox, with bearing caps	1
6	K 601242	BOLT - 5/8 UNC x 3-3/4 inch	4
7	K 626389	WASHER - tab	4
8	K 608410	STUD - 1/2 UNC x 17-5/8 inch	4
9	K 19484	WASHER - lock, 1/2 inch	4
10	K 607004	NUT - 1/2 inch UNC	4
11	K 621805	DOWEL - 3/8 x 7/8 inch	2
12	K 600417	BOLT - 3/8 UNC x 3-1/4 inch (two wheel drive)	1
12	K 600410	BOLT - 3/8 UNC x 2-1/4 inch	1
13	K 19482	WASHER - lock, 3/8 inch	1
14	K 601306	BOLT - 5/8 UNC x 2-1/2 inch	2
15	K 920656	BUSHING	2
16	K 626239	SHIM - 0.010 inch (0.25 mm)	UAR
17	K 947189	PLATE - cover	1



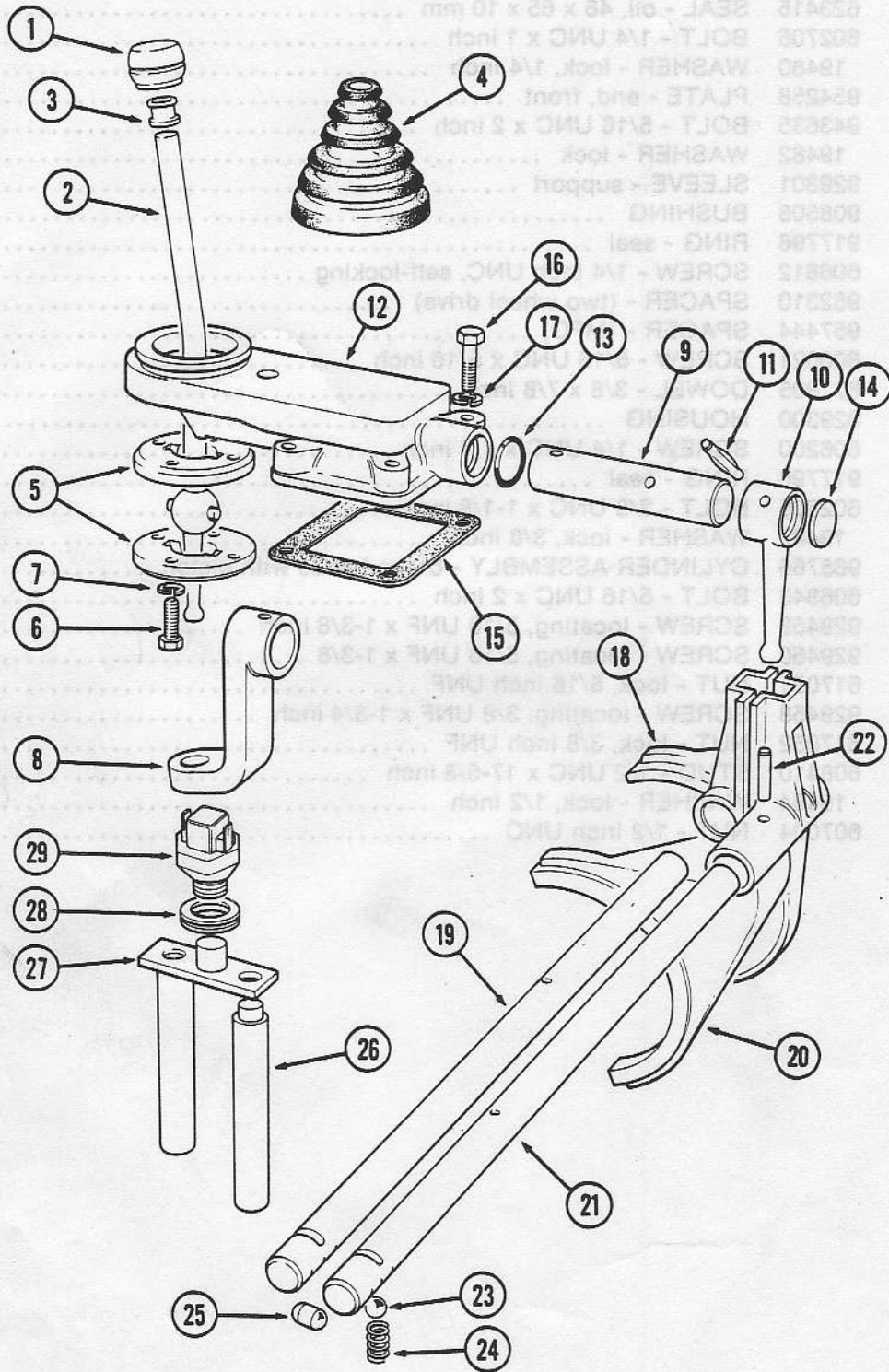
1984 TRACTOR
GEARBOX HOUSING
POWER SHIFT



GEARBOX HOUSING POWER SHIFT

Ref.	Part No.	Description	Required
1	K 940294	SUPPORT - clutch release bearing	1
2	K 623545	O-RING - 2-3/4 inch (70 mm) internal diameter	2
3	K 623415	SEAL - oil, 46 x 65 x 10 mm	1
4	K 602705	BOLT - 1/4 UNC x 1 inch	4
5	K 19480	WASHER - lock, 1/4 inch	4
6	K 954258	PLATE - end, front	1
7	K 943635	BOLT - 5/16 UNC x 2 inch	2
8	K 19482	WASHER - lock	2
9	K 929301	SLEEVE - support	1
10	K 908508	BUSHING	1
11	K 917796	RING - seal	2
12	K 606812	SCREW - 1/4 inch UNC, self-locking	4
13	K 952310	SPACER - (two wheel drive)	1
13	K 957444	SPACER - (MFD)	1
14	K 606021	SCREW - 5/16 UNC x 5/16 inch	1
15	K 621805	DOWEL - 3/8 x 7/8 inch	2
16	K 929300	HOUSING	1
17	K 606200	SCREW - 1/4 UNC x 1/4 inch	1
18	K 917796	RING - seal	2
19	K 602905	BOLT - 3/8 UNC x 1-1/8 inch	4
20	K 19482	WASHER - lock, 3/8 inch	4
21	K 965766	CYLINDER ASSEMBLY - brake bands with piston	2
22	K 606843	BOLT - 5/16 UNC x 2 inch	8
23	K 929459	SCREW - locating, 5/16 UNF x 1-3/8 inch	2
24	K 929460	SCREW - locating, 5/16 UNF x 1-3/8	4
25	K 617051	NUT - lock, 5/16 inch UNF	4
26	K 929458	SCREW - locating, 3/8 UNF x 1-3/4 inch	1
27	K 617052	NUT - lock, 3/8 inch UNF	1
28	K 608410	STUD - 1/2 UNC x 17-5/8 inch	4
29	K 19484	WASHER - lock, 1/2 inch	4
30	K 607004	NUT - 1/2 inch UNC	4

1325 TRACTOR
GEARBOX HOUSING
POWER SHIFT

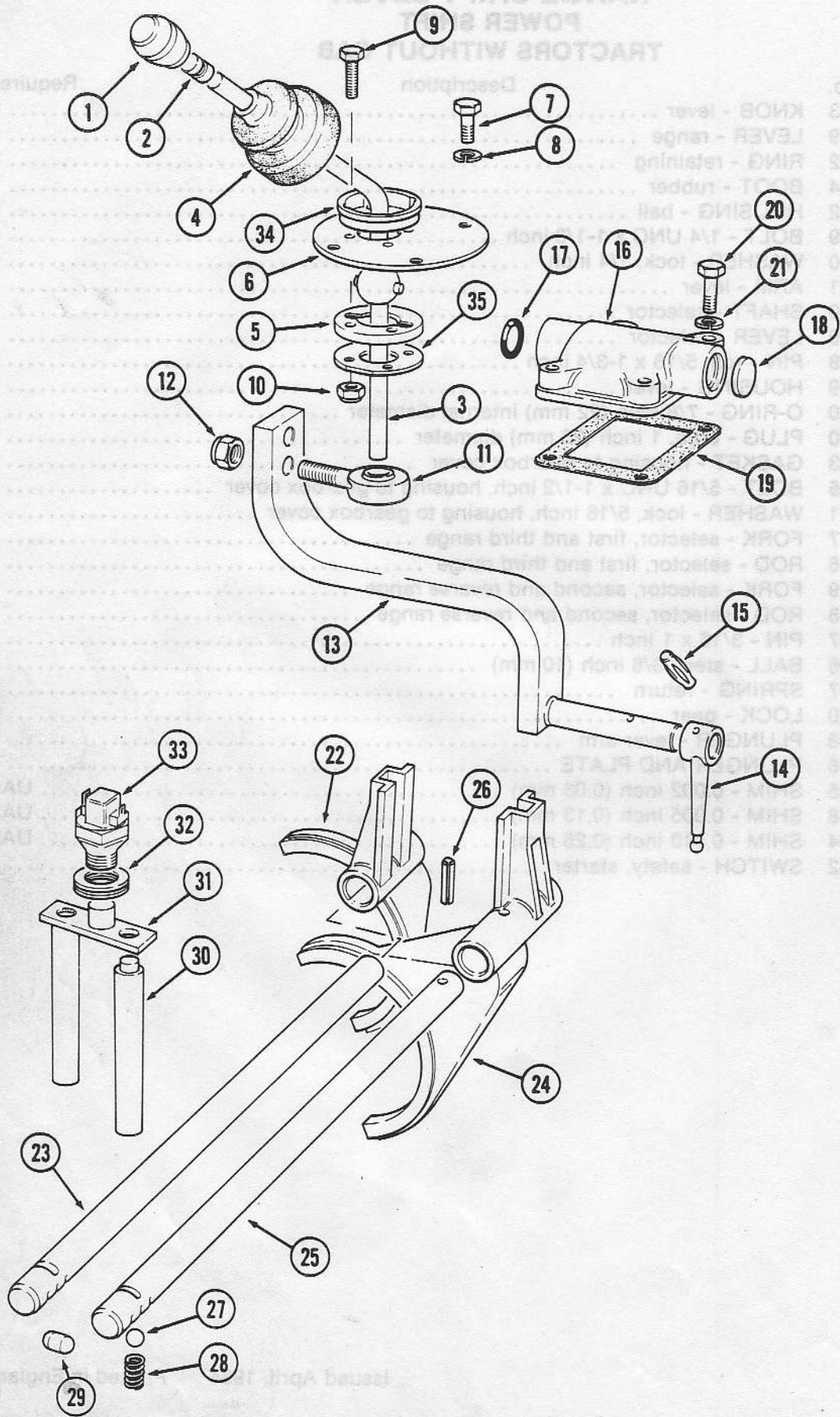


Part No.	Description
1	SUPPORT - clutch release bearing
2	O-RING - 2-3/4 inch (70 mm) internal diameter
3	SEAL - oil 48 x 85 x 10 mm
4	BOLT - 1/4 UNC x 1 inch
5	WASHER - lock 1/4
6	PLATE - end front
7	BOLT - 8/16 UNC x 2 inch
8	WASHER - lock
9	SLEEVE - support
10	BUSHING
11	RING - seal
12	HOUSING
13	SCREW - 1/4 UNC self-locking
14	SPACER
15	PLATE - cover
16	GASKET
17	BOLT - 1/4 UNC x 1 inch
18	WASHER - lock 1/4
19	SHIFT FORK
20	SHIFT LEVER
21	SHIFT SHAFT
22	SHIFT FORK PIN
23	BEARING
24	SPRING
25	WASHER - lock 1/4
26	SHIFT CABLE
27	CABLE GUIDE
28	CABLE END FITTING
29	SCREW - 1/4 UNC self-locking

**RANGE SHIFT LEVER
POWER SHIFT
TRACTORS WITHOUT CAB**

Ref.	Part No.	Description	Required
1	K 200553	KNOB - lever	1
2	K 207779	LEVER - range	1
3	K 628472	RING - retaining	1
4	K 950494	BOOT - rubber	1
5	K 200162	HOUSING - ball	2
6	K 602739	BOLT - 1/4 UNC x 1-1/8 inch	4
7	K 19480	WASHER - lock, 1/4 inch	4
8	K 200161	ARM - lever	1
9	K 200160	SHAFT - selector	1
10	K 202079	LEVER - selector	1
11	K 623778	PIN - roll, 5/16 x 1-3/4 inch	2
12	K 200159	HOUSING - lever	1
13	K 623630	O-RING - 7/8 inch (22 mm) internal diameter	1
14	K 623810	PLUG - core, 1 inch (25 mm) diameter	1
15	K 950543	GASKET - housing to gearbox cover	1
16	K 600205	BOLT - 5/16 UNC x 1-1/2 inch, housing to gearbox cover	4
17	K 19481	WASHER - lock, 5/16 inch, housing to gearbox cover	4
18	K 917217	FORK - selector, first and third range	1
19	K 917216	ROD - selector, first and third range	1
20	K 917219	FORK - selector, second and reverse range	1
21	K 917218	ROD - selector, second and reverse range	1
22	K 623887	PIN - 3/16 x 1 inch	2
23	K 13506	BALL - steel, 3/8 inch (10 mm)	4
24	K 13507	SPRING - return	2
25	K 30430	LOCK - gear	1
26	K 945208	PLUNGER - lever arm	1
27	K 308068	PLUNGER AND PLATE	1
28	K 626895	SHIM - 0.002 inch (0.05 mm)	UAR
28	K 626858	SHIM - 0.005 inch (0.13 mm)	UAR
28	K 626894	SHIM - 0.010 inch (0.25 mm)	UAR
29	K 200652	SWITCH - safety, starter	1

1981 TRACTOR RANGE SHIFT LEVER POWER SHIFTERS TRACTORS WITHOUT

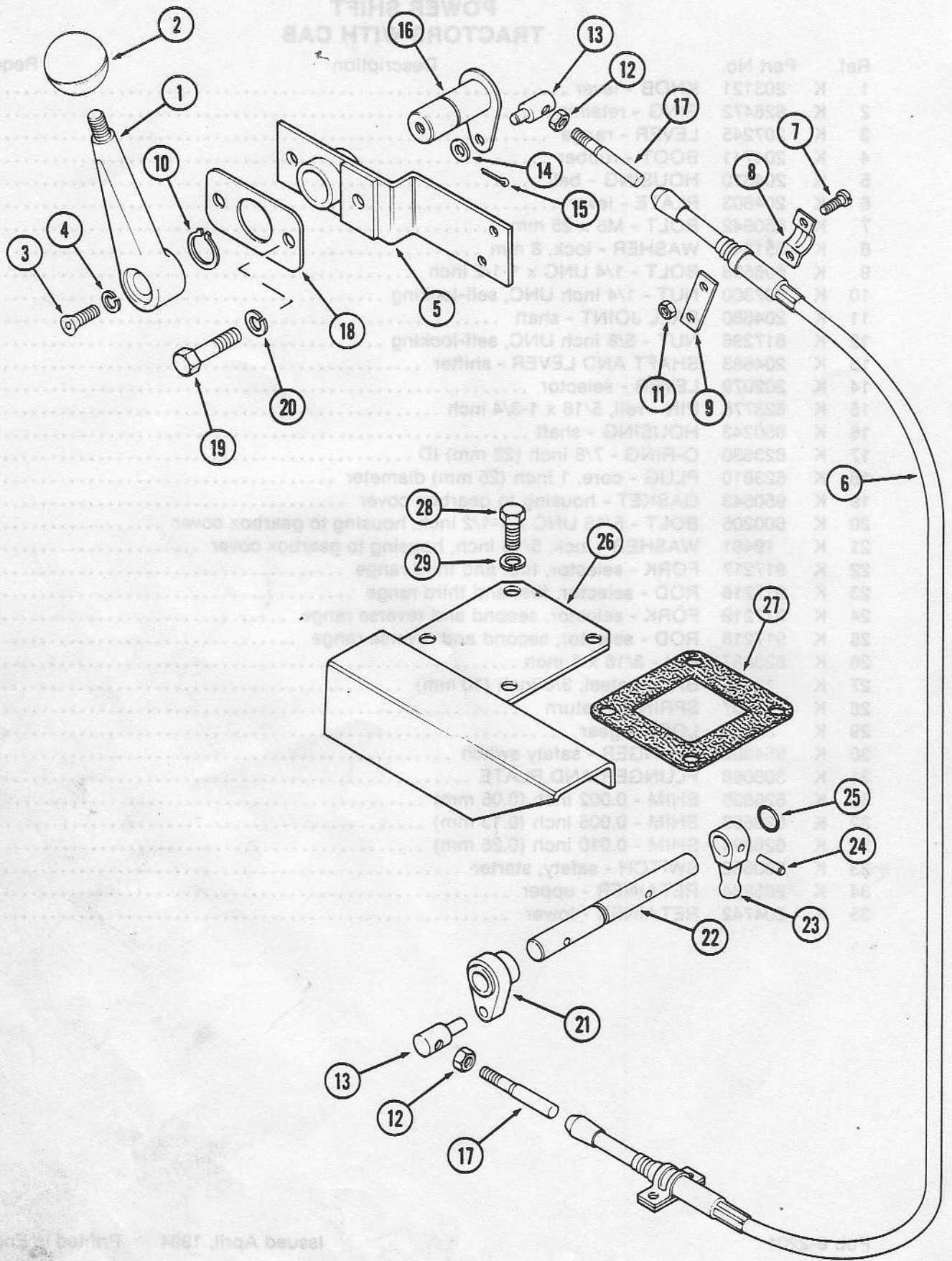


Part No	Description	Quantity
200583	KNOB - lever	1
207778	LEVER - range	2
828472	RING - retaining	3
920484	ROD - rubber	4
200782	PIVOT RING - ball	5
802739	PIVOT RING - ball	6
19480	LOCK - lock	7
200781	WASHER - lock	8
207185	WASHER - lock	9
202070	LEVER - selector	10
823778	ROD - selector	11
200789	HOUSING - selector	12
823830	O-RING	13
823810	PLUG - housing	14
823823	WASHER - lock	15
800285	WASHER - lock	16
19481	LOCK - lock	17
817217	FORK - selector	18
817218	ROD - selector	19
817219	FORK - selector	20
817219	FORK - selector	21
823827	PIN - selector	22
19386	BALL - selector	23
19297	SPRING - selector	24
20450	LOCK - lock	25
920718	WASHER - lock	26
800485	WASHER - lock	27
823828	SHIM - selector	28
823824	SHIM - selector	29
200582	SWITCH - selector	30
		31
		32
		33
		34
		35

**RANGE SHIFT LEVER
POWER SHIFT
TRACTORS WITH CAB**

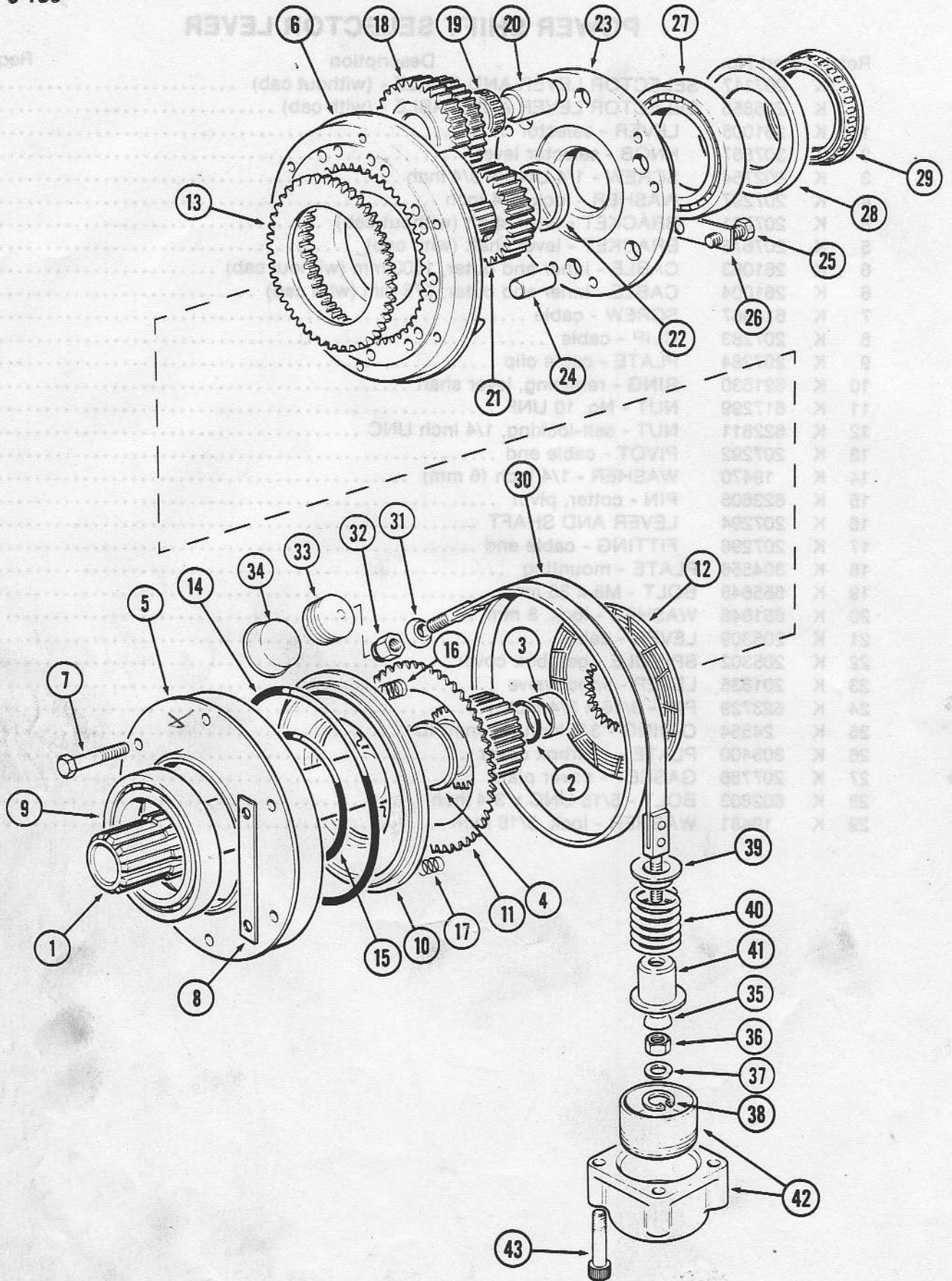
Ref.	Part No.	Description	Required
1	K 203121	KNOB - lever	1
2	K 628472	RING - retaining	1
3	K 207245	LEVER - range	1
4	K 204741	BOOT - rubber	2
5	K 204810	HOUSING - ball	1
6	K 204803	PLATE - lever	1
7	K 650642	BOLT - M8 x 25 mm	4
8	K 651848	WASHER - lock, 8 mm	10
9	K 606508	BOLT - 1/4 UNC x 1-1/2 inch	4
10	K 607300	NUT - 1/4 inch UNC, self-locking	4
11	K 204680	BALL JOINT - shaft	1
12	K 617296	NUT - 5/8 inch UNC, self-locking	1
13	K 204683	SHAFT AND LEVER - shifter	1
14	K 202079	LEVER - selector	1
15	K 623778	PIN - roll, 5/16 x 1-3/4 inch	1
16	K 950243	HOUSING - shaft	1
17	K 623630	O-RING - 7/8 inch (22 mm) ID	1
18	K 623810	PLUG - core, 1 inch (25 mm) diameter	1
19	K 950543	GASKET - housing to gearbox cover	1
20	K 600205	BOLT - 5/16 UNC x 1-1/2 inch, housing to gearbox cover	4
21	K 19481	WASHER - lock, 5/16 inch, housing to gearbox cover	4
22	K 917217	FORK - selector, first and third range	1
23	K 917216	ROD - selector, first and third range	1
24	K 917219	FORK - selector, second and reverse range	1
25	K 917218	ROD - selector, second and reverse range	1
26	K 623887	PIN - 3/16 x 1 inch	2
27	K 13506	BALL - steel, 3/8 inch (10 mm)	4
28	K 13507	SPRING - return	2
29	K 30430	LOCK - gear	1
30	K 954208	PLUNGER - safety switch	1
31	K 308068	PLUNGER AND PLATE	1
32	K 626895	SHIM - 0.002 inch (0.05 mm)	UAR
32	K 626858	SHIM - 0.005 inch (0.13 mm)	UAR
32	K 626894	SHIM - 0.010 inch (0.25 mm)	UAR
33	K 200652	SWITCH - safety, starter	1
34	K 205234	RETAINER - upper	1
35	K 204742	RETAINER - lower	1

6-164



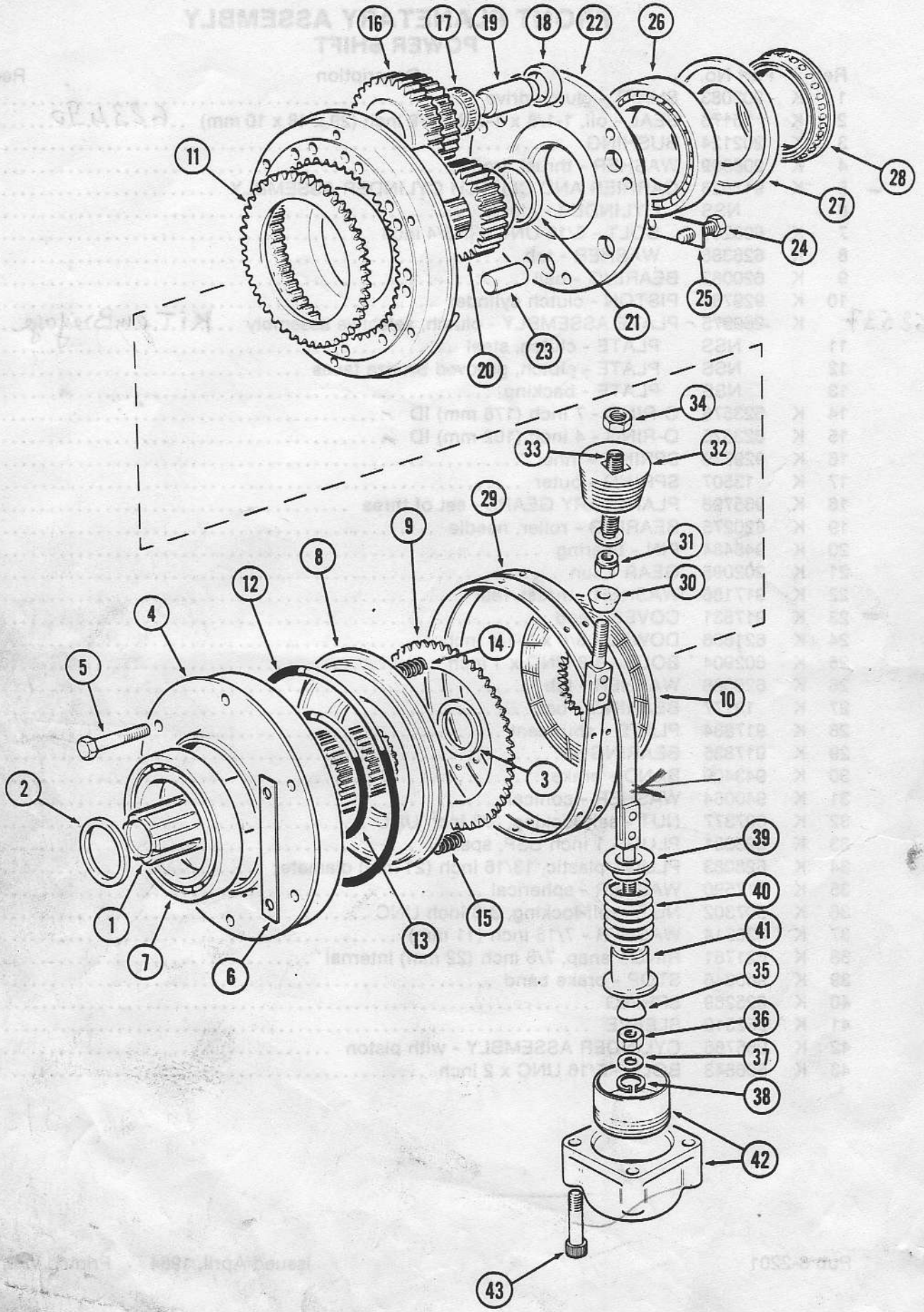
POWER SHIFT SELECTOR LEVER

Ref.	Part No.	Description	Required
	K 207117	SELECTOR LEVER AND CABLE - (without cab)	1
	K 205855	SELECTOR LEVER AND CABLE - (with cab)	1
1	K 261005	LEVER - selector	1
2	K 307557	KNOB - selector lever	1
3	K 602754	SCREW - 1/4 UNC x 3/4 inch	1
4	K 207297	WASHER - lock, 1/4 inch	1
5	K 207281	BRACKET - lever shaft (without cab)	1
5	K 207676	BRACKET - lever shaft (with cab)	1
6	K 261083	CABLE - inner and outer, 1500 mm (without cab)	1
6	K 261004	CABLE - inner and outer, 975 mm (with cab)	1
7	K 614967	SCREW - cable	4
8	K 207283	CLIP - cable	2
9	K 207284	PLATE - cable clip	3
10	K 621530	RING - retaining, lever shaft	1
11	K 617299	NUT - No. 10 UNF	2
12	K 622811	NUT - self-locking, 1/4 inch UNC	2
13	K 207292	PIVOT - cable end	2
14	K 19470	WASHER - 1/4 inch (6 mm)	2
15	K 623605	PIN - cotter, pivot	2
16	K 207294	LEVER AND SHAFT	1
17	K 207296	FITTING - cable end	2
18	K 304556	PLATE - mounting	1
19	K 655648	BOLT - M8 x 35 mm	2
20	K 651848	WASHER - lock, 8 mm	2
21	K 205309	LEVER - cable	1
22	K 205302	SPINDLE - gearbox cover	1
23	K 201835	LEVER - spool valve	1
24	K 623729	PIN - 3/16 x 3/4 inch	2
25	K 24554	O-RING - 3/8 inch (10 mm) ID	1
26	K 308400	PLATE - gearbox cover	1
27	K 207786	GASKET - cover plate	1
28	K 602803	BOLT - 5/16 UNC x 3/4 inch	4
29	K 19481	WASHER - lock, 5/16 inch	4



FRONT PLANETARY ASSEMBLY POWER SHIFT

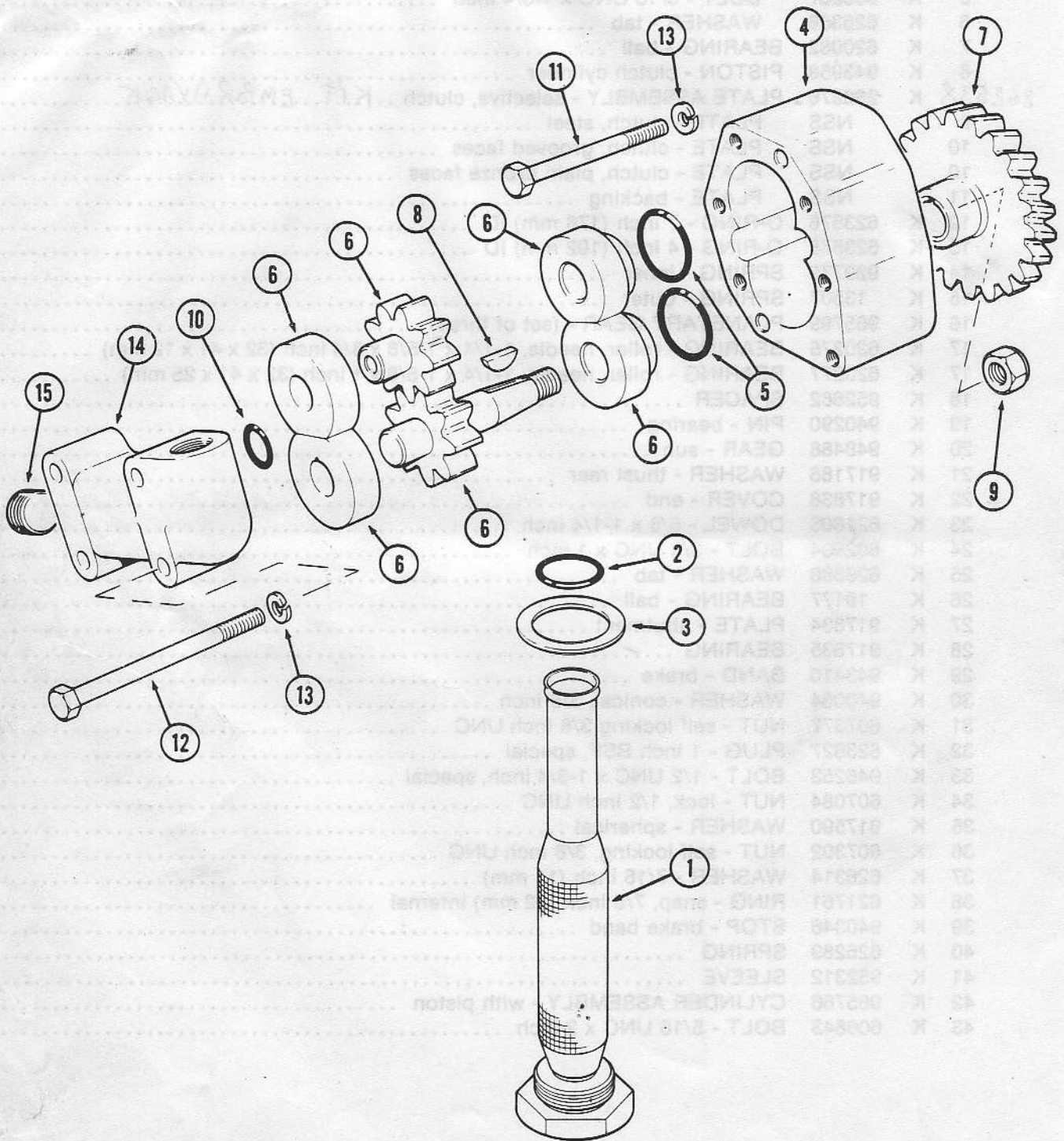
Ref.	Part No.	Description	Required
1	K 202083	SHAFT - clutch drive	1
2	K -15176	SEAL - oil, 1-1/8 x 1-7/8 x 3/8 inch (29 x 48 x 10 mm) ..623490.....	1
3	K 202124	BUSHING	1
4	K 908509	WASHER - thrust, front	1
5	K 917828	CARRIER AND CLUTCH CYLINDER ASSEMBLY	1
6	NSS	CYLINDER - clutch	1
7	K 600207	BOLT - 5/16 UNC x 1-3/4 inch	6
8	K 626386	WASHER - tab	3
9	K 620082	BEARING - ball	1
10	K 929781	PISTON - clutch cylinder	1
262537	K 260975	PLATE ASSEMBLY - clutch, selective assembly ...KIT. em Brayage.....	1
11	NSS	PLATE - clutch, steel	2
12	NSS	PLATE - clutch, grooved bronze faces	2
13	NSS	PLATE - backing	1
14	K 623576	O-RING - 7 inch (178 mm) ID	1
15	K 623575	O-RING - 4 inch (102 mm) ID	1
16	K 929779	SPRING - inner	6
17	K 13507	SPRING - outer	18
18	K 965798	PLANETARY GEARS - set of three	1
19	K 620275	BEARING - roller, needle	6
20	K 948484	PIN - bearing	3
21	K 202095	GEAR - sun	1
22	K 917186	WASHER - thrust, rear	1
23	K 917831	COVER - end	1
24	K 621808	DOWEL - 5/8 x 1-1/4 inch	3
25	K 602904	BOLT - 3/8 UNC x 1 inch	6
26	K 626388	WASHER - tab	3
27	K 19177	BEARING - ball	1
28	K 917834	PLATE - abutment	1
29	K 917835	BEARING	1
30	K 943409	BAND - brake	1
31	K 940064	WASHER - conical	1
32	K 607377	NUT - self-locking, 3/8 inch UNC	1
33	K 623831	PLUG - 1 inch BSP, special	1
34	K 628083	PLUG - plastic, 13/16 inch (21 mm) diameter	1
35	K 917590	WASHER - spherical	1
36	K 607302	NUT - self-locking, 3/8 inch UNC	1
37	K 626314	WASHER - 7/16 inch (11 mm)	1
38	K 621761	RING - snap, 7/8 inch (22 mm) internal	1
39	K 940346	STOP - brake band	1
40	K 625289	SPRING	1
41	K 952312	SLEEVE	1
42	K 965766	CYLINDER ASSEMBLY - with piston	1
43	K 606843	BOLT - 5/16 UNC x 2 inch	4



REAR PLANETARY ASSEMBLY POWER SHIFT

Ref.	Part No.	Description	Required
1	K 948486	SHAFT - drive	1
2	K 908509	WASHER - thrust front	1
3	K 917185	WASHER - thrust inner	1
4	K 917836	CARRIER AND CLUTCH CYLINDER ASSEMBLY	1
5	K 600207	BOLT - 5/16 UNC x 1-3/4 inch	6
6	K 626386	WASHER - tab	3
7	K 620082	BEARING - ball	1
8	K 943958	PISTON - clutch cylinder	1
262538	K 260976	PLATE ASSEMBLY - selective, clutch .. <i>K.I.T. EMBRAYAGE</i>	1
9	NSS	PLATE - clutch, steel	4
10	NSS	PLATE - clutch, grooved faces	3
10	NSS	PLATE - clutch, plain bronze faces	1
11	NSS	PLATE - backing	1
12	K 623576	O-RING - 7 inch (178 mm) ID	1
13	K 623575	O-RING - 4 inch (102 mm) ID	1
14	K 929779	SPRING - inner	9
15	K 13507	SPRING - outer	18
16	K 965799	PLANETARY GEAR - (set of three)	1
17	K 620275	BEARING - roller, needle, 1-1/4 x 1-5/8 x 3/4 inch (32 x 41 x 19 mm)	3
17	K 620277	BEARING - roller, needle, 1-1/4 x 1-5/8 x 1 inch (32 x 41 x 25 mm)	3
18	K 952662	SPACER	3
19	K 940290	PIN - bearing	3
20	K 948488	GEAR - sun	1
21	K 917186	WASHER - thrust rear	1
22	K 917838	COVER - end	1
23	K 621808	DOWEL - 5/8 x 1-1/4 inch	3
24	K 602904	BOLT - 3/8 UNC x 1 inch	6
25	K 626388	WASHER - tab	3
26	K 19177	BEARING - ball	1
27	K 917834	PLATE - abutment	1
28	K 917835	BEARING	1
29	K 943410	BAND - brake	1
30	K 940064	WASHER - conical, 3/8 inch	1
31	K 607377	NUT - self locking 3/8 inch UNC	1
32	K 623827	PLUG - 1 inch BSP, special	1
33	K 946253	BOLT - 1/2 UNC x 1-3/4 inch, special	1
34	K 607084	NUT - lock, 1/2 inch UNC	1
35	K 917590	WASHER - spherical	1
36	K 607302	NUT - self locking, 3/8 inch UNC	1
37	K 626314	WASHER - 7/16 inch (11 mm)	1
38	K 621761	RING - snap, 7/8 inch (22 mm) internal	1
39	K 940346	STOP - brake band	1
40	K 625289	SPRING	1
41	K 952312	SLEEVE	1
42	K 965766	CYLINDER ASSEMBLY - with piston	1
43	K 606843	BOLT - 5/16 UNC x 2 inch	4

REAR PLANETARY ASSEMBLY
POWER SHIFT

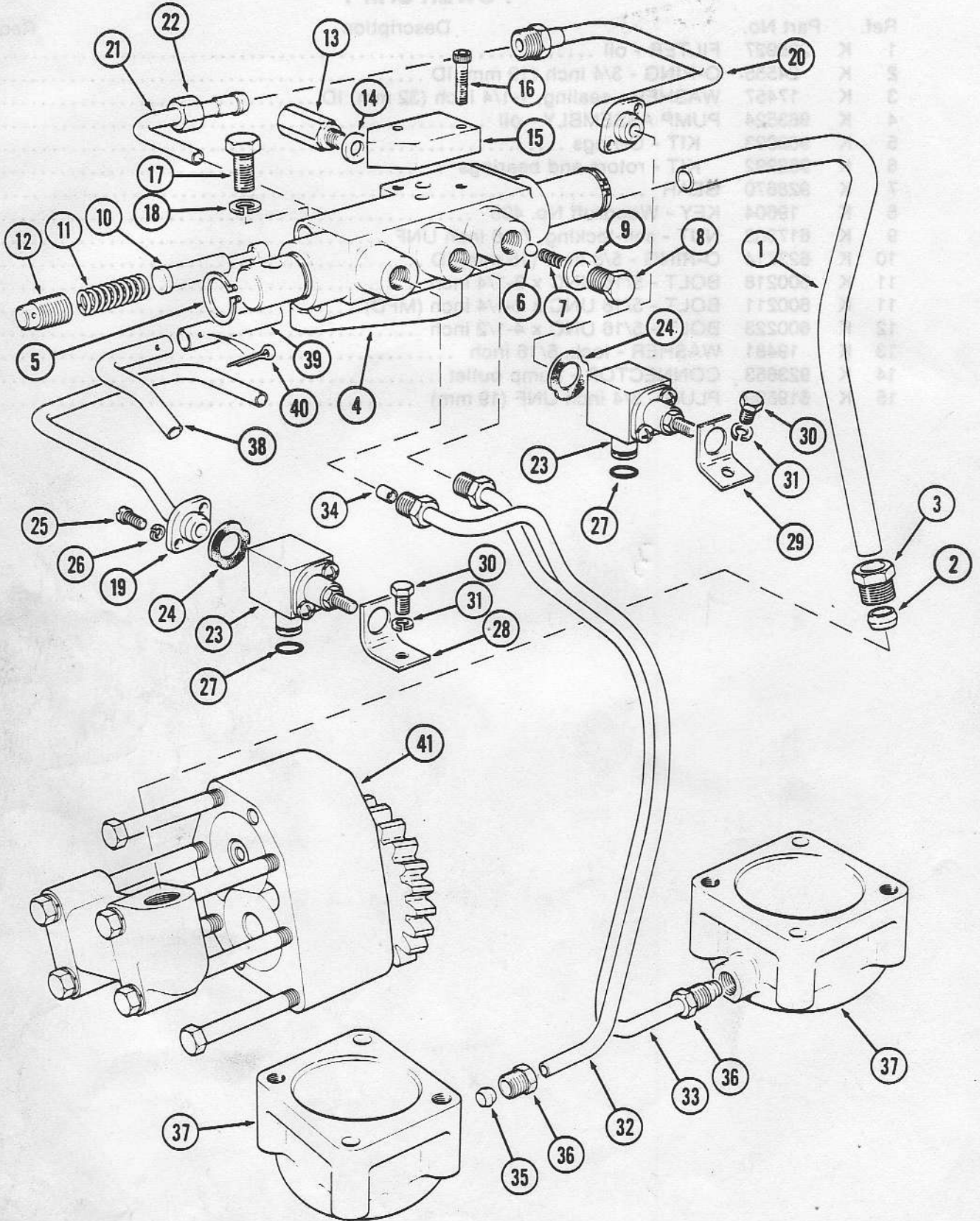


Part No.	Description
60585	SHAFT - drive
60586	WASHER - thrust front
60587	WASHER - thrust front
60588	CARRIER AND CLUTCH CYLINDER ASSEMBLY
60589	BOLT - 1/2 UNC x 3-1/2
60590	WASHER
60591	BEARING
60592	PISTON
60593	PLATE
60594	CLUTCH - clutch
60595	CLUTCH - clutch
60596	CLUTCH - clutch
60597	CLUTCH - clutch
60598	CLUTCH - clutch
60599	CLUTCH - clutch
60600	CLUTCH - clutch
60601	CLUTCH - clutch
60602	CLUTCH - clutch
60603	CLUTCH - clutch
60604	CLUTCH - clutch
60605	CLUTCH - clutch
60606	CLUTCH - clutch
60607	CLUTCH - clutch
60608	CLUTCH - clutch
60609	CLUTCH - clutch
60610	CLUTCH - clutch
60611	CLUTCH - clutch
60612	CLUTCH - clutch
60613	CLUTCH - clutch
60614	CLUTCH - clutch
60615	CLUTCH - clutch
60616	CLUTCH - clutch
60617	CLUTCH - clutch
60618	CLUTCH - clutch
60619	CLUTCH - clutch
60620	CLUTCH - clutch
60621	CLUTCH - clutch
60622	CLUTCH - clutch
60623	CLUTCH - clutch
60624	CLUTCH - clutch
60625	CLUTCH - clutch
60626	CLUTCH - clutch
60627	CLUTCH - clutch
60628	CLUTCH - clutch
60629	CLUTCH - clutch
60630	CLUTCH - clutch
60631	CLUTCH - clutch
60632	CLUTCH - clutch
60633	CLUTCH - clutch
60634	CLUTCH - clutch
60635	CLUTCH - clutch
60636	CLUTCH - clutch
60637	CLUTCH - clutch
60638	CLUTCH - clutch
60639	CLUTCH - clutch
60640	CLUTCH - clutch
60641	CLUTCH - clutch
60642	CLUTCH - clutch
60643	CLUTCH - clutch
60644	CLUTCH - clutch
60645	CLUTCH - clutch
60646	CLUTCH - clutch
60647	CLUTCH - clutch
60648	CLUTCH - clutch
60649	CLUTCH - clutch
60650	CLUTCH - clutch
60651	CLUTCH - clutch
60652	CLUTCH - clutch
60653	CLUTCH - clutch
60654	CLUTCH - clutch
60655	CLUTCH - clutch
60656	CLUTCH - clutch
60657	CLUTCH - clutch
60658	CLUTCH - clutch
60659	CLUTCH - clutch
60660	CLUTCH - clutch
60661	CLUTCH - clutch
60662	CLUTCH - clutch
60663	CLUTCH - clutch
60664	CLUTCH - clutch
60665	CLUTCH - clutch
60666	CLUTCH - clutch
60667	CLUTCH - clutch
60668	CLUTCH - clutch
60669	CLUTCH - clutch
60670	CLUTCH - clutch
60671	CLUTCH - clutch
60672	CLUTCH - clutch
60673	CLUTCH - clutch
60674	CLUTCH - clutch
60675	CLUTCH - clutch
60676	CLUTCH - clutch
60677	CLUTCH - clutch
60678	CLUTCH - clutch
60679	CLUTCH - clutch
60680	CLUTCH - clutch
60681	CLUTCH - clutch
60682	CLUTCH - clutch
60683	CLUTCH - clutch
60684	CLUTCH - clutch
60685	CLUTCH - clutch
60686	CLUTCH - clutch
60687	CLUTCH - clutch
60688	CLUTCH - clutch
60689	CLUTCH - clutch
60690	CLUTCH - clutch
60691	CLUTCH - clutch
60692	CLUTCH - clutch
60693	CLUTCH - clutch
60694	CLUTCH - clutch
60695	CLUTCH - clutch
60696	CLUTCH - clutch
60697	CLUTCH - clutch
60698	CLUTCH - clutch
60699	CLUTCH - clutch
60700	CLUTCH - clutch

GEARBOX PUMP POWER SHIFT

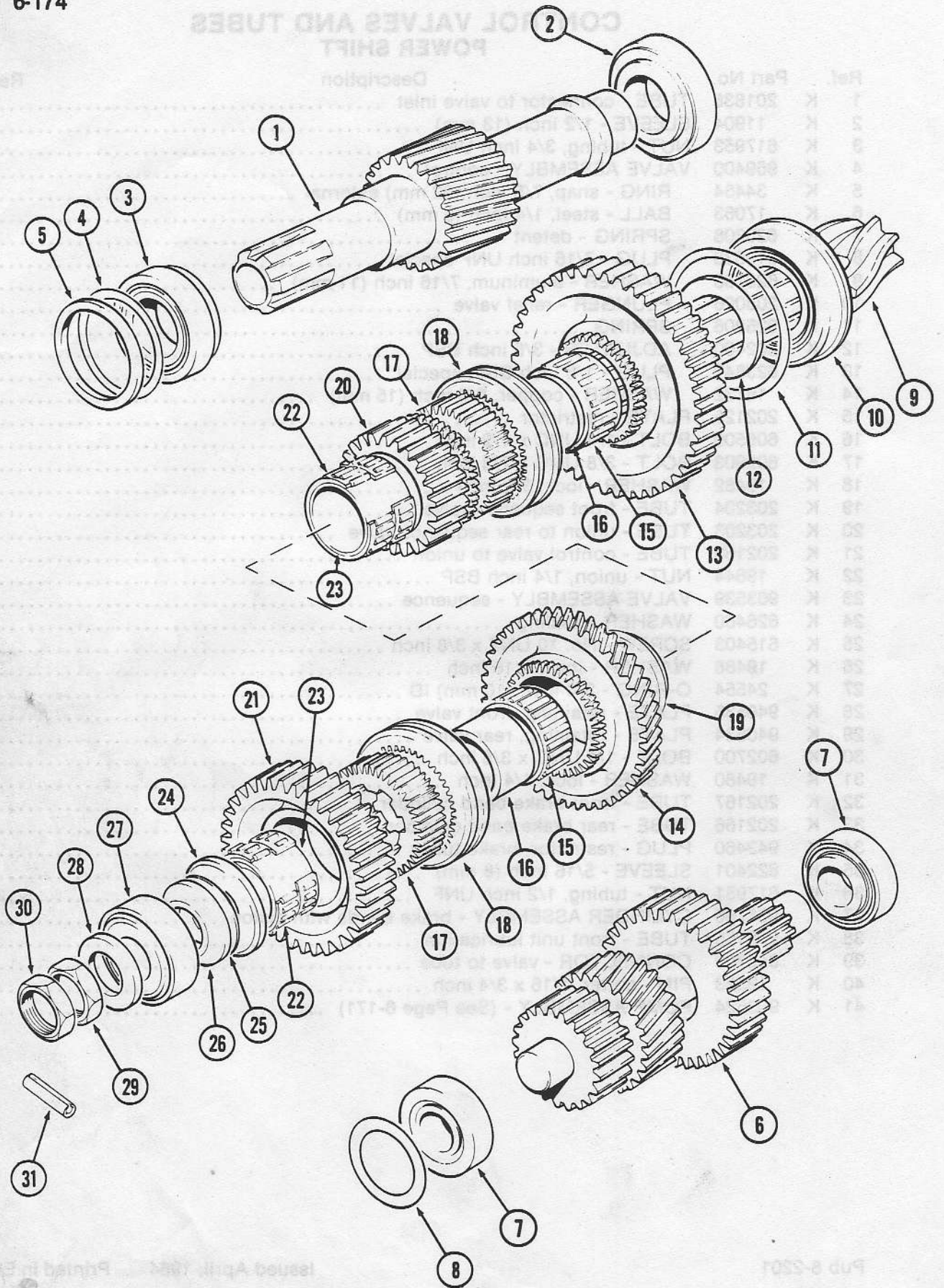
Ref.	Part No.	Description	Required
1	K 205927	FILTER - oil	1
2	K 24555	O-RING - 3/4 inch (19 mm) ID	1
3	K 17457	WASHER - sealing, 1-1/4 inch (32 mm) ID	1
4	K 963524	PUMP ASSEMBLY - oil	1
5	K 962993	KIT - O-rings	1
6	K 962992	KIT - rotors and bearings	1
7	K 928670	GEAR	1
8	K 19604	KEY - Woodruff No. 405	1
9	K 617303	NUT - self-locking, 7/16 inch UNF	1
10	K 623714	O-RING - 5/8 inch (16 mm) ID	3
11	K 600218	BOLT - 5/16 UNC x 3-1/4 inch	2
11	K 600211	BOLT - 5/16 UNC x 2-1/4 inch (MFD)	1
12	K 600223	BOLT - 5/16 UNC x 4-1/2 inch	4
13	K 19481	WASHER - lock, 5/16 inch	6
14	K 923653	CONNECTOR - pump outlet	1
15	K 619539	PLUG - 3/4 inch UNF (19 mm)	1

13M TRACTOR
GEARBOX PUMP
POWER SHIFT



CONTROL VALVES AND TUBES POWER SHIFT

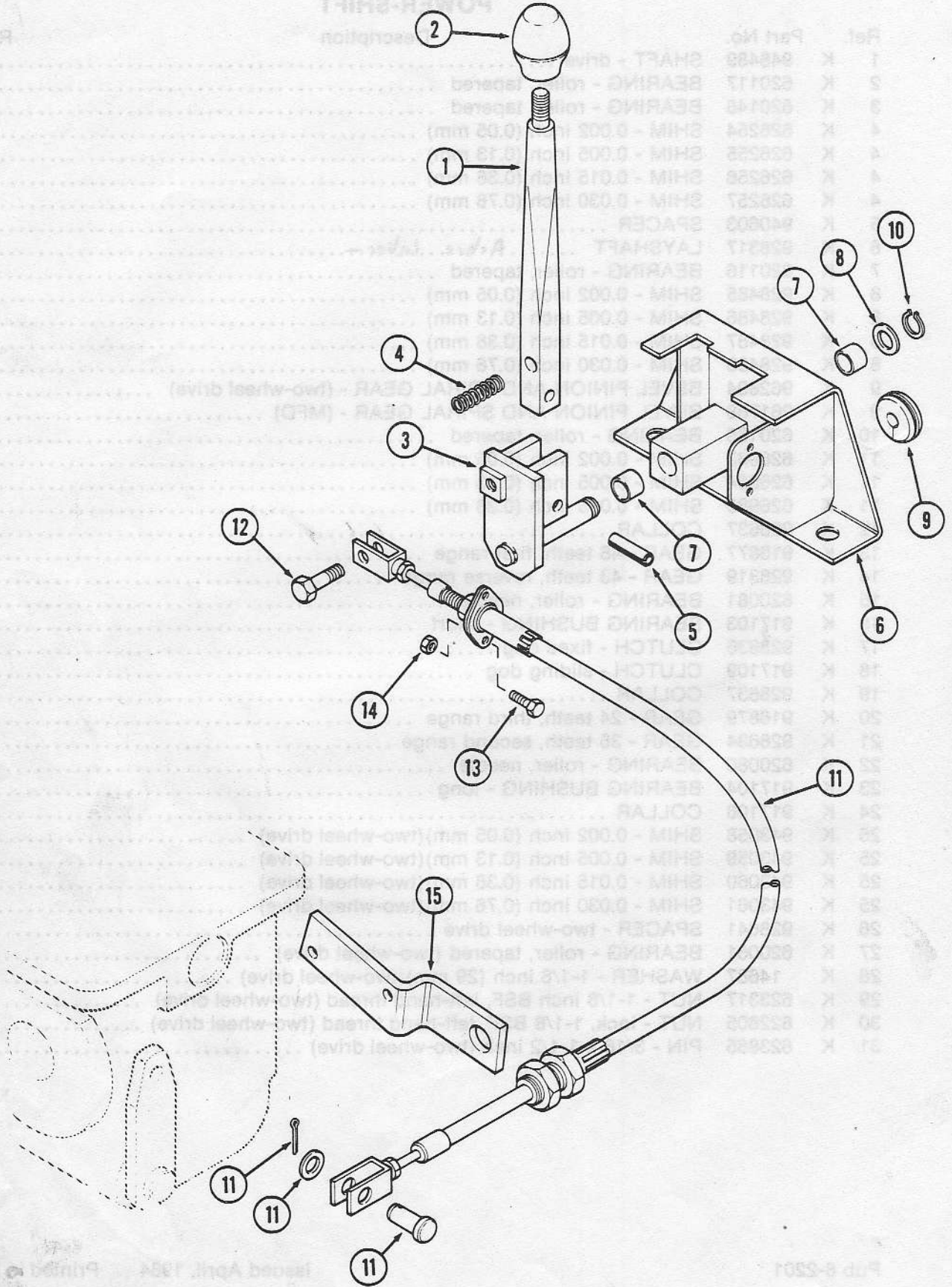
Ref.	Part No.	Description	Required
1	K 201836	TUBE - connector to valve inlet	1
2	K 11904	SLEEVE - 1/2 inch (13 mm)	2
3	K 617953	NUT - tubing, 3/4 inch UNF	2
4	K 959400	VALVE ASSEMBLY - control	1
5	K 34454	RING - snap, 7/8 inch (22 mm) external	1
6	K 17063	BALL - steel, 1/4 inch (6 mm)	1
7	K 625208	SPRING - detent	1
8	K 619538	PLUG - 7/16 inch UNF special	1
9	K 626788	WASHER - aluminum, 7/16 inch (11 mm)	1
10	K 203026	PLUNGER - relief valve	1
11	K 625206	SPRING	1
12	K 202400	ADJUSTER - 3/8 inch BSP	1
13	K 623847	PLUG - 1/8 inch BSP, special	1
14	K 16732	WASHER - copper, 5/8 inch (15 mm)	1
15	K 202125	PLATE - restrictor	1
16	K 606500	BOLT - 1/4 UNC x 1/2 inch	2
17	K 602903	BOLT - 3/8 UNC x 7/8 inch	2
18	K 19482	WASHER - lock, 3/8 inch	2
19	K 203204	TUBE - front sequence valve	1
20	K 203203	TUBE - union to rear sequence valve	1
21	K 202168	TUBE - control valve to union	1
22	K 19644	NUT - union, 1/4 inch BSP	1
23	K 963539	VALVE ASSEMBLY - sequence	2
24	K 626460	WASHER - sealing	2
25	K 615403	SCREW - No. 10 UNF x 3/8 inch	8
26	K 19488	WASHER - lock, 3/16 inch	8
27	K 24554	O-RING - 3/8 inch (10 mm) ID	2
28	K 940535	PLATE - retaining, front valve	1
29	K 940534	PLATE - retaining, rear valve	1
30	K 602700	BOLT - 1/4 UNC x 3/8 inch	2
31	K 19480	WASHER - lock, 1/4 inch	2
32	K 202167	TUBE - front brake band cylinder	1
33	K 202166	TUBE - rear brake band cylinder	1
34	K 943460	PLUG - restrictor, brake tubes	2
35	K 622401	SLEEVE - 5/16 inch (8 mm)	6
36	K 617951	NUT - tubing, 1/2 inch UNF	6
37	K 965766	CYLINDER ASSEMBLY - brake bands with piston	2
38	K 202165	TUBE - front unit lubrication	1
39	K 942700	CONNECTOR - valve to tube	1
40	K 19523	PIN - cotter, 1/16 x 3/4 inch	1
41	K 963524	PUMP ASSEMBLY - (See Page 6-171)	1



RANGE GEARBOX SHAFTS AND GEARS POWER-SHIFT

Ref.	Part No.	Description	Required
1	K 948489	SHAFT - drive	1
2	K 620117	BEARING - roller, tapered	1
3	K 620148	BEARING - roller, tapered	1
4	K 626254	SHIM - 0.002 inch (0.05 mm)	UAR
4	K 626255	SHIM - 0.005 inch (0.13 mm)	UAR
4	K 626256	SHIM - 0.015 inch (0.38 mm)	UAR
4	K 626257	SHIM - 0.030 inch (0.76 mm)	UAR
5	K 940603	SPACER	1
6	K 928317	LAYSHAFT	1
7	K 620116	BEARING - roller, tapered	2
8	K 928485	SHIM - 0.002 inch (0.05 mm)	UAR
8	K 928486	SHIM - 0.005 inch (0.13 mm)	UAR
8	K 928487	SHIM - 0.015 inch (0.38 mm)	UAR
8	K 928488	SHIM - 0.030 inch (0.76 mm)	UAR
9	K 962894	BEVEL PINION AND SPIRAL GEAR - (two-wheel drive)	1
9	K 261788	BEVEL PINION AND SPIRAL GEAR - (MFD)	1
10	K 620158	BEARING - roller, tapered	1
11	K 626983	SHIM - 0.002 inch (0.05 mm)	UAR
11	K 626984	SHIM - 0.005 inch (0.13 mm)	UAR
11	K 626985	SHIM - 0.015 inch (0.38 mm)	UAR
12	K 928637	COLLAR	1
13	K 916877	GEAR - 46 teeth, first range	1
14	K 928319	GEAR - 43 teeth, reverse range	1
15	K 620081	BEARING - roller, needle	2
16	K 917103	BEARING BUSHING - short	2
17	K 928636	CLUTCH - fixed dog	2
18	K 917109	CLUTCH - sliding dog	2
19	K 928637	COLLAR	1
20	K 916879	GEAR - 24 teeth, third range	1
21	K 928634	GEAR - 36 teeth, second range	1
22	K 620080	BEARING - roller, needle	4
23	K 917104	BEARING BUSHING - long	2
24	K 917106	COLLAR	1
25	K 943058	SHIM - 0.002 inch (0.05 mm)(two-wheel drive)	UAR
25	K 943059	SHIM - 0.005 inch (0.13 mm)(two-wheel drive)	UAR
25	K 943060	SHIM - 0.015 inch (0.38 mm)(two-wheel drive)	UAR
25	K 943061	SHIM - 0.030 inch (0.76 mm)(two-wheel drive)	UAR
26	K 928641	SPACER - two-wheel drive	1
27	K 620061	BEARING - roller, tapered (two-wheel drive)	1
28	K 14687	WASHER - 1-1/8 inch (29 mm)(two-wheel drive)	1
29	K 623317	NUT - 1-1/8 inch BSF, left-hand thread (two-wheel drive)	1
30	K 622805	NUT - lock, 1-1/8 BSF, left-hand thread (two-wheel drive)	1
31	K 623885	PIN - 3/16 x 1-1/2 inch (two-wheel drive)	1

1394 TRACTOR
RANGE GEARBOX SHAFTS AND GEARS
POWER-SHIFT



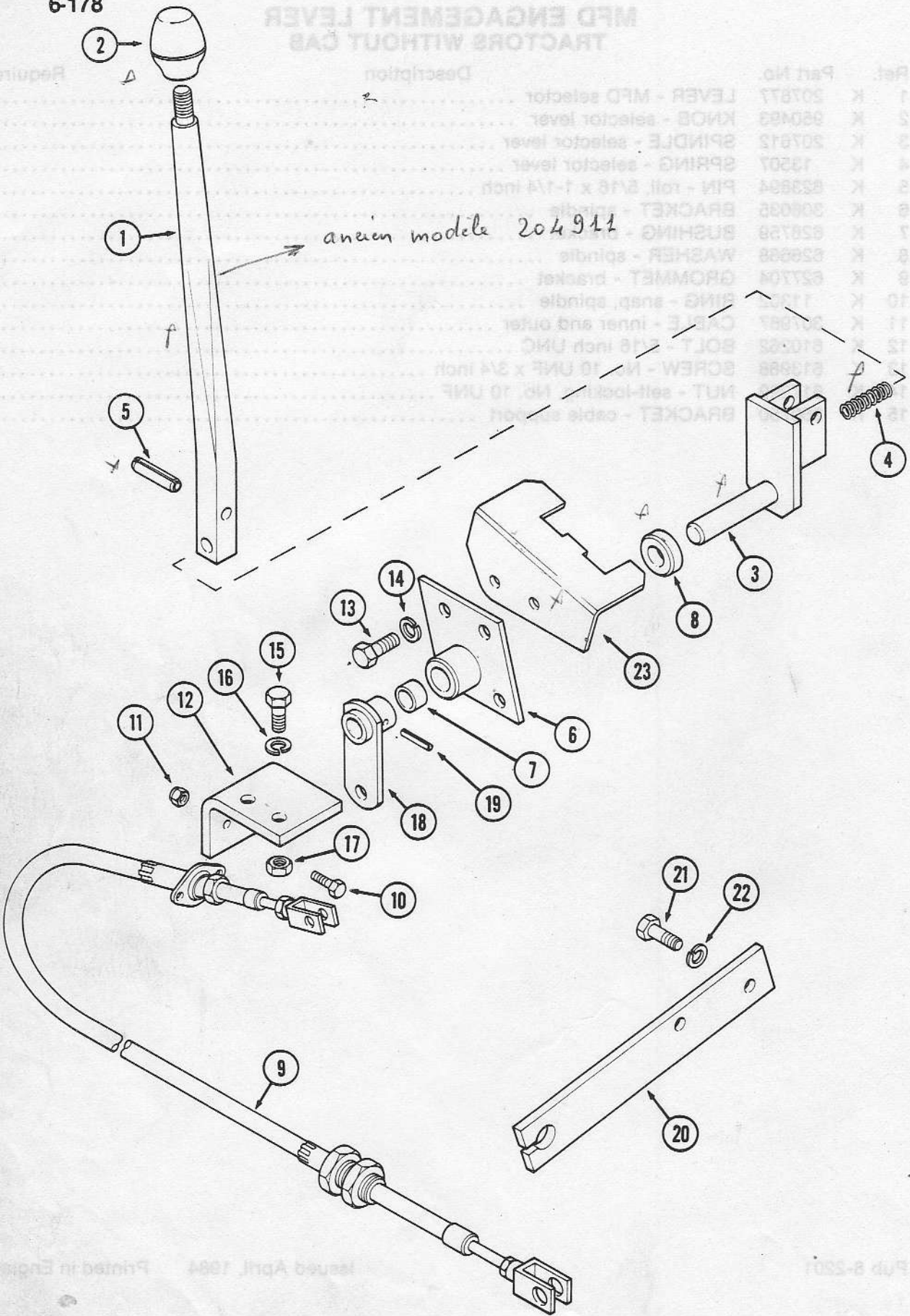
Ref.	Part No.	Description
1	948489	SHAFT - drive
2	620113	BEARING - roller
3	620148	BEARING - roller
4	620254	SHIM - 0.002 inch (0.05 mm)
5	620255	SHIM - 0.005 inch (0.13 mm)
6	620256	SHIM - 0.015 inch (0.38 mm)
7	620257	SHIM - 0.030 inch (0.76 mm)
8	640003	SPACER
9	620217	GEAR
10	620116	BEARING - roller
11	620116	BEARING - roller
12	620116	BEARING - roller
13	620116	BEARING - roller
14	620116	BEARING - roller
15	620116	BEARING - roller

MFD ENGAGEMENT LEVER TRACTORS WITHOUT CAB

Ref.	Part No.	Description	Required
1	K 207877	LEVER - MFD selector	1
2	K 950493	KNOB - selector lever	1
3	K 207612	SPINDLE - selector lever	1
4	K 13507	SPRING - selector lever	1
5	K 623894	PIN - roll, 5/16 x 1-1/4 inch	1
6	K 308035	BRACKET - spindle	1
7	K 628759	BUSHING - bracket	2
8	K 626668	WASHER - spindle	1
9	K 627704	GROMMET - bracket	1
10	K 11302	RING - snap, spindle	1
11	K 307987	CABLE - inner and outer	1
12	K 610262	BOLT - 5/16 inch UNC	1
13	K 613988	SCREW - No. 10 UNF x 3/4 inch	2
14	K 617299	NUT - self-locking, No. 10 UNF	2
15	K 260750	BRACKET - cable support	1

MFD ENGAGEMENT LEVER
TRACTORS WITHOUT CAB

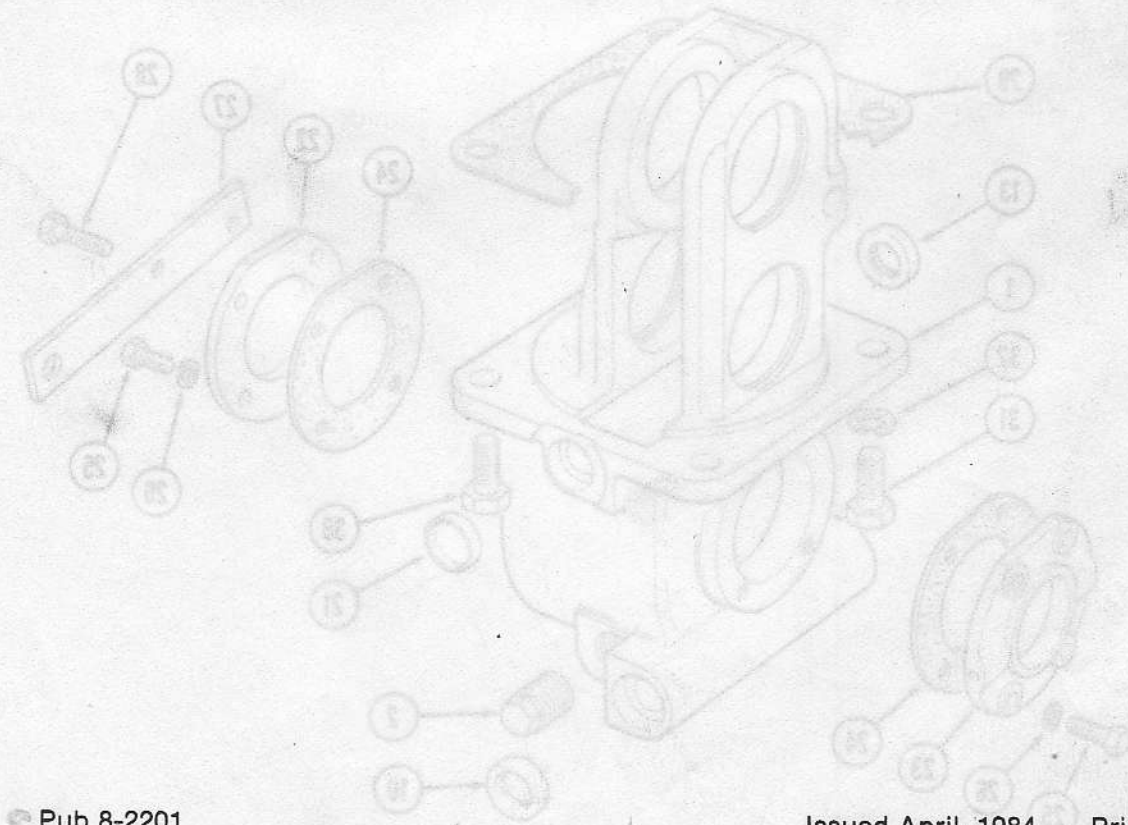
6-178



Part No.	Description	Ref.
207877	LEVER - MFD selector	1
650493	KNOB - selector lever	2
207812	SPINDLE - selector lever	3
13507	SPRING - selector lever	4
823884	PIN - roll 5/16 x 1-1/4 inch	5
308035	BRACKET	6
628758	BUSHING	7
628888	WASHER - spindle	8
627704	GROMMET - bracket	9
11707	RING - snap, spindle	10
11707	CABLE - inner and outer	11
61052	BOLT - 5/16 inch UNC	12
61988	SCREW - 1/4 inch UNF x 3/4 inch	13
11707	NUT - self-locking, 1/4 inch UNF	14
11707	BRACKET - cable	15

MFD ENGAGEMENT LEVER TRACTORS WITH CAB

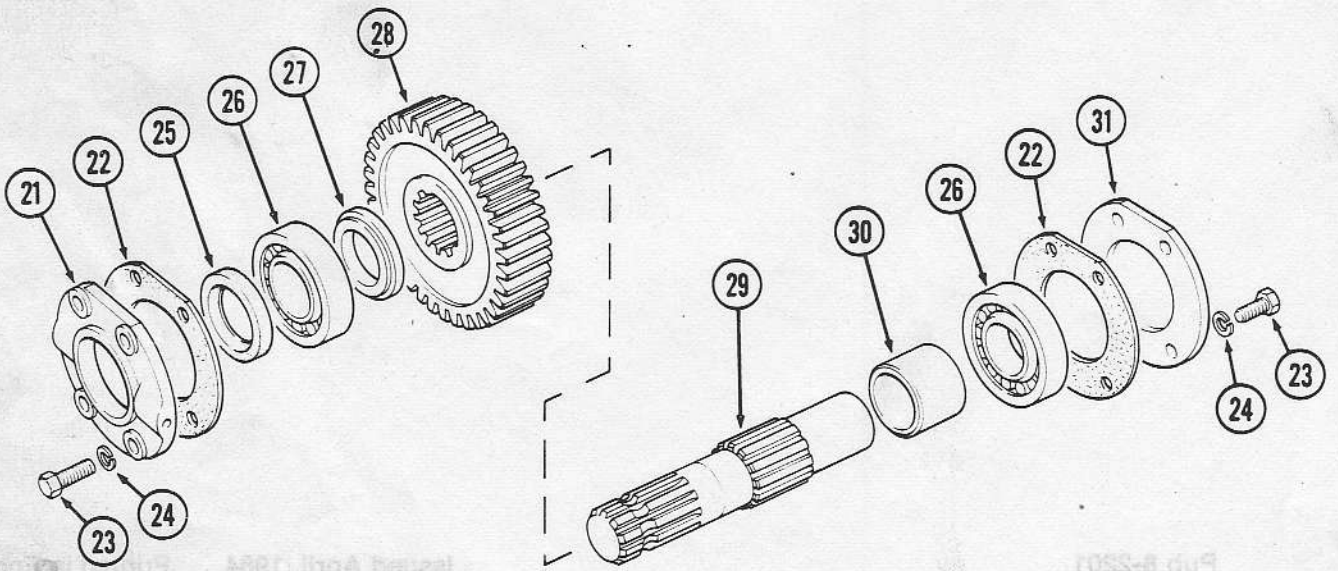
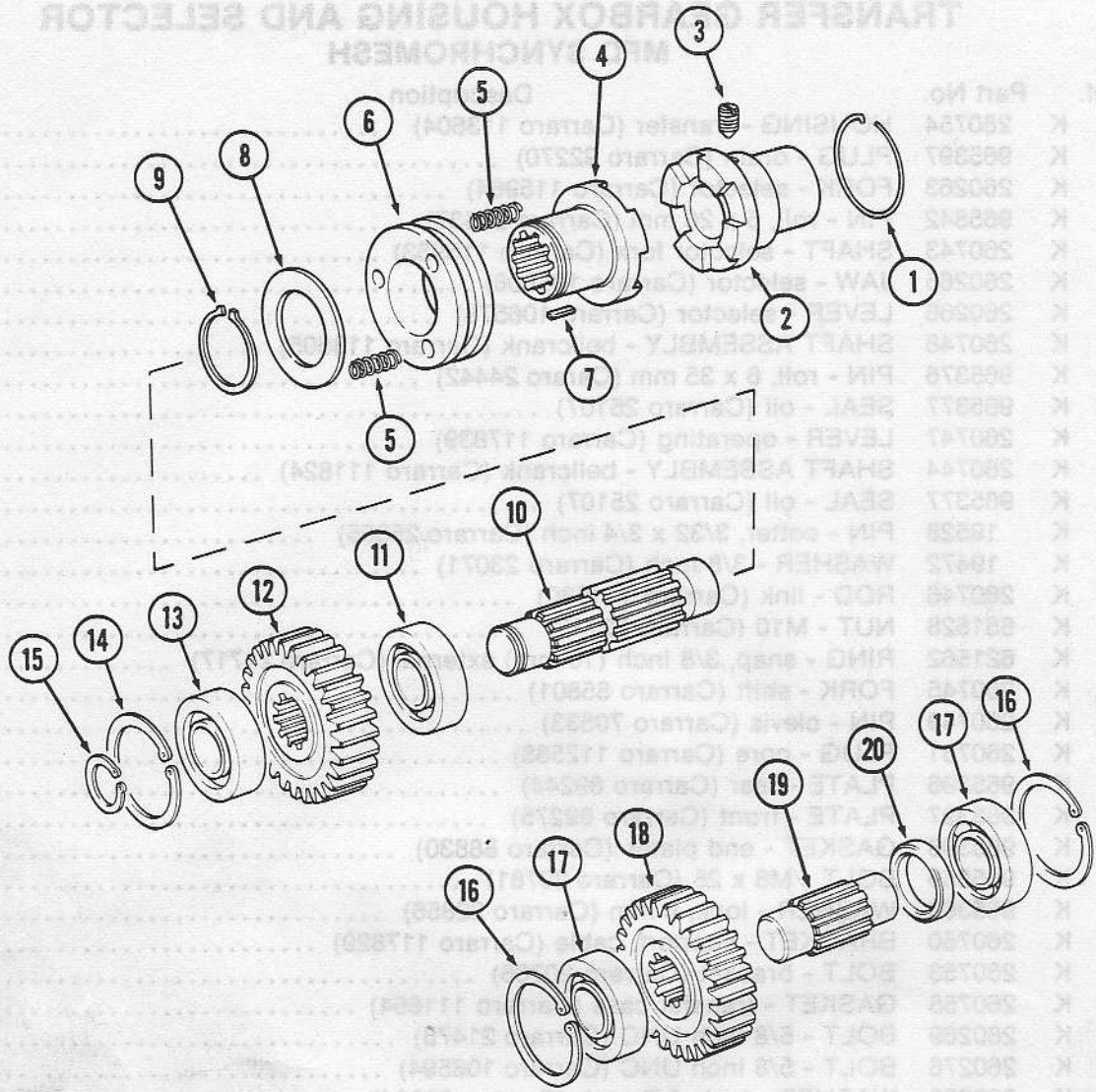
Ref.	Part No.	Description	Required
1	K 207104	LEVER - MFD selector	1
2	K 950493	KNOB - selector lever	1
3	K 207163	SPINDLE - selector lever	1
4	K 13507	SPRING - selector lever	1
5	K 623894	PIN - roll, 5/16 x 1-1/4 inch	1
6	K 303119	BRACKET - spindle	1
7	K 628759	BUSHING - bracket	2
8	K 207191	SPACER - spindle	1
9	K 307987	CABLE - inner and outer	1
10	K 613988	SCREW - No. 10 UNF x 3/4 inch	2
11	K 617299	NUT - self-locking, No. 10 UNF	2
12	K 207336	BRACKET - cable support, upper	1
13	K 650642	BOLT - M8 x 20 mm	3
14	K 651848	WASHER - lock, 8 mm	3
15	K 602845	BOLT - 5/16 UNC x 3/4 inch	2
16	K 19481	WASHER - lock, 5/16 inch	2
17	K 607044	NUT - 5/16 inch UNC	2
18	K 952260	LEVER - operating	1
19	K 623740	PIN - roll, 3/16 x 7/8 inch	1
20	K 260750	BRACKET - cable support, lower	1
21	K 260753	BOLT - bracket	2
22	K 651848	WASHER - lock, 8 mm	2
23	K 207585	GATE - hand lever	1



TRANSFER GEARBOX HOUSING AND SELECTOR MFD SYNCHROMESH

Ref.	Part No.	Description	Required
1	K 260754	HOUSING - transfer (Carraro 113604)	1
2	K 965397	PLUG - drain (Carraro 92270)	1
3	K 260263	FORK - selector (Carraro 115964)	1
4	K 965842	PIN - roll, 5 x 26 mm (Carraro 24437)	2
5	K 260743	SHAFT - selector fork (Carraro 115963)	1
6	K 260265	JAW - selector (Carraro 105806)	1
7	K 260266	LEVER - selector (Carraro 106578)	1
8	K 260748	SHAFT ASSEMBLY - bellcrank (Carraro 113605)	1
9	K 965376	PIN - roll, 6 x 35 mm (Cararo 24442)	1
10	K 965377	SEAL - oil (Carraro 25107)	2
11	K 260747	LEVER - operating (Carraro 117839)	1
12	K 260744	SHAFT ASSEMBLY - bellcrank (Carraro 111824)	1
13	K 965377	SEAL - oil (Carraro 25107)	1
14	K 19528	PIN - cotter, 3/32 x 3/4 inch (Carraro 25565)	1
15	K 19472	WASHER - 3/8 inch (Carraro 23071)	1
16	K 260746	ROD - link (Carraro 111830)	1
17	K 651528	NUT - M10 (Carraro 22119)	1
18	K 621562	RING - snap, 3/8 inch (10 mm) external (Carraro 21717)	1
19	K 260745	FORK - shift (Carraro 85801)	1
20	K 260749	PIN - clevis (Carraro 70533)	1
21	K 260751	PLUG - core (Carraro 112588)	1
22	K 965396	PLATE - rear (Carraro 89244)	1
23	K 965397	PLATE - front (Carraro 89275)	1
24	K 965398	GASKET - end plates (Carraro 88830)	2
25	K 965359	BOLT - M8 x 25 (Carraro 20781)	6
26	K 965360	WASHER - lock, 8 mm (Carraro 22856)	8
27	K 260750	BRACKET - support, cable (Carraro 117829)	1
28	K 260753	BOLT - bracket (Carraro 20786)	2
29	K 260755	GASKET - transfer case (Carraro 111664)	1
30	K 260269	BOLT - 5/8 inch UNC (Carraro 21475)	3
31	K 260276	BOLT - 5/8 inch UNC (Carraro 106594)	1
32	K 260268	WASHER - lock, 5/8 inch (Carraro 22864)	4

TRANSFER CASE HOUSING AND SELECTOR



Part No. K 280754 1
K 983397 2
K 280299 3
K 983842 4
K 280742 5
K 280299 6
K 280299 7
K 280748 8
K 280299 9
K 983278 10
K 983277 11
K 280747 12
K 280744 13
K 983277 14
K 19238 15
K 19472 16
K 280746 17
K 831528 18
K 831528 19
K 831528 20
K 831528 21
K 831528 22
K 831528 23
K 831528 24
K 831528 25
K 831528 26
K 831528 27
K 831528 28
K 831528 29
K 831528 30
K 831528 31
K 280588 32

TRANSFER GEARBOX GEARS AND SHAFTS MFD - SYCHROMESH

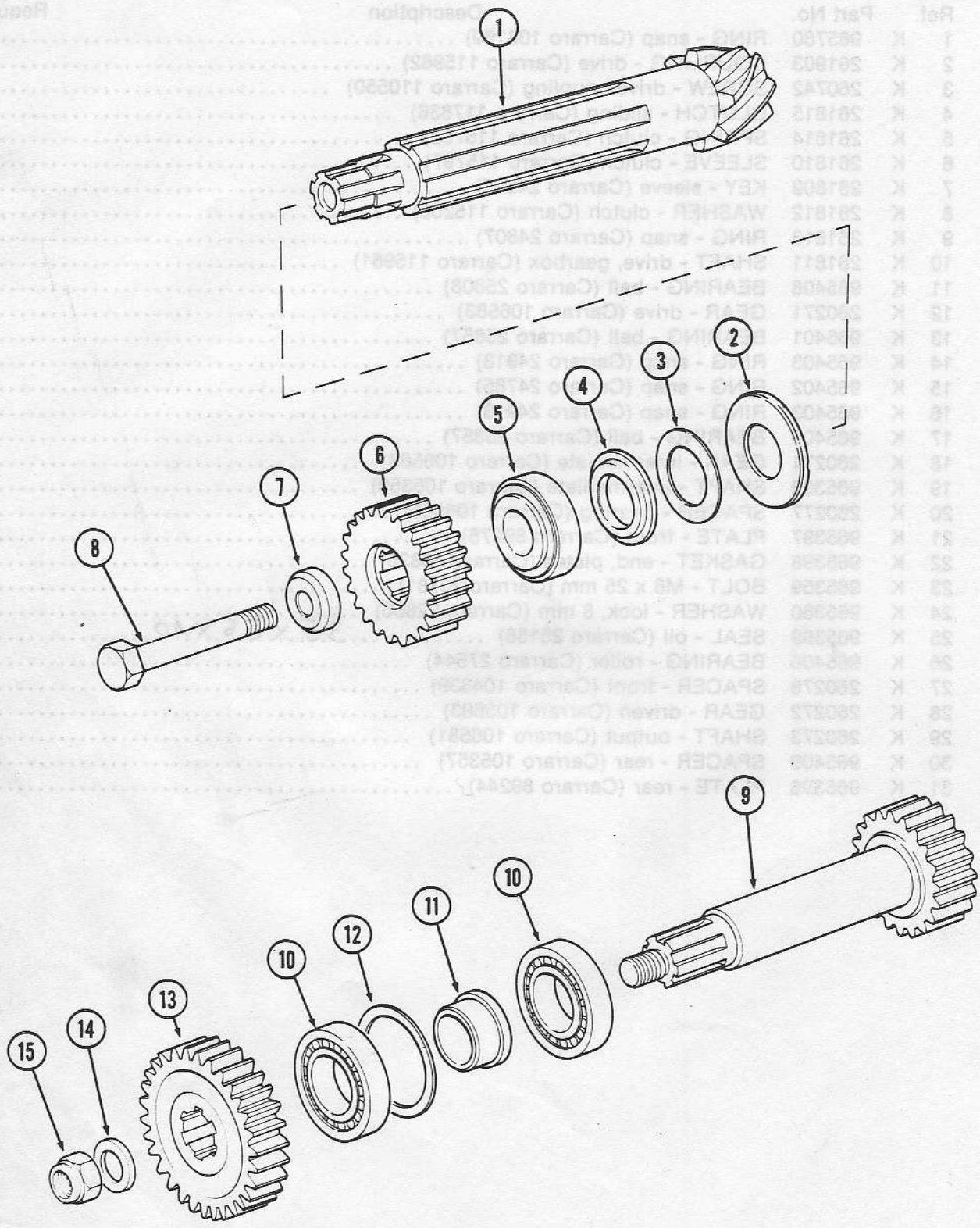
Ref.	Part No.	Description	Required
1	K 965760	RING - snap (Carraro 108169)	1
2	K 261903	COUPLING - drive (Carraro 115962)	1
3	K 260742	SCREW - drive coupling (Carraro 110550)	1
4	K 261815	CLUTCH - sliding (Carraro 117836)	1
5	K 261814	SPRING - clutch (Carraro 115798)	6
6	K 261810	SLEEVE - clutch (Carraro 115797)	1
7	K 261809	KEY - sleeve (Carraro 24507)	1
8	K 261812	WASHER - clutch (Carraro 115208)	1
9	K 261813	RING - snap (Carraro 24807)	1
10	K 261811	SHAFT - drive, gearbox (Carraro 115961)	1
11	K 965408	BEARING - ball (Carraro 25808)	1
12	K 260271	GEAR - drive (Carraro 106583)	1
13	K 965401	BEARING - ball (Carraro 25857)	1
14	K 965403	RING - snap (Carraro 24913)	1
15	K 965402	RING - snap (Carraro 24785)	1
16	K 965403	RING - snap (Carraro 24913)	1
17	K 965401	BEARING - ball (Carraro 25857)	2
18	K 260271	GEAR - intermediate (Carraro 106583)	2
19	K 965389	SHAFT - intermediate (Carraro 105359)	1
20	K 260277	SPACER - bearing (Carraro 106580)	1
21	K 965397	PLATE - front (Carraro 89275)	1
22	K 965398	GASKET - end, plates (Carraro 88830)	2
23	K 965359	BOLT - M8 x 25 mm (Carraro 20781)	8
24	K 965360	WASHER - lock, 8 mm (Carraro 22856)	8
25	K 965399	SEAL - oil (Carraro 25156) 3.5 x 5.5 x 10	1
26	K 965406	BEARING - roller (Carraro 27544)	2
27	K 260278	SPACER - front (Carraro 104839)	1
28	K 260272	GEAR - driven (Carraro 105803)	1
29	K 260273	SHAFT - output (Carraro 106581)	1
30	K 965409	SPACER - rear (Carraro 105357)	1
31	K 965396	PLATE - rear (Carraro 89244)	1

TRANSFER GEARBOX GEARS AND SHAFTS
MFD - SYNCHROMESH

Required

Description

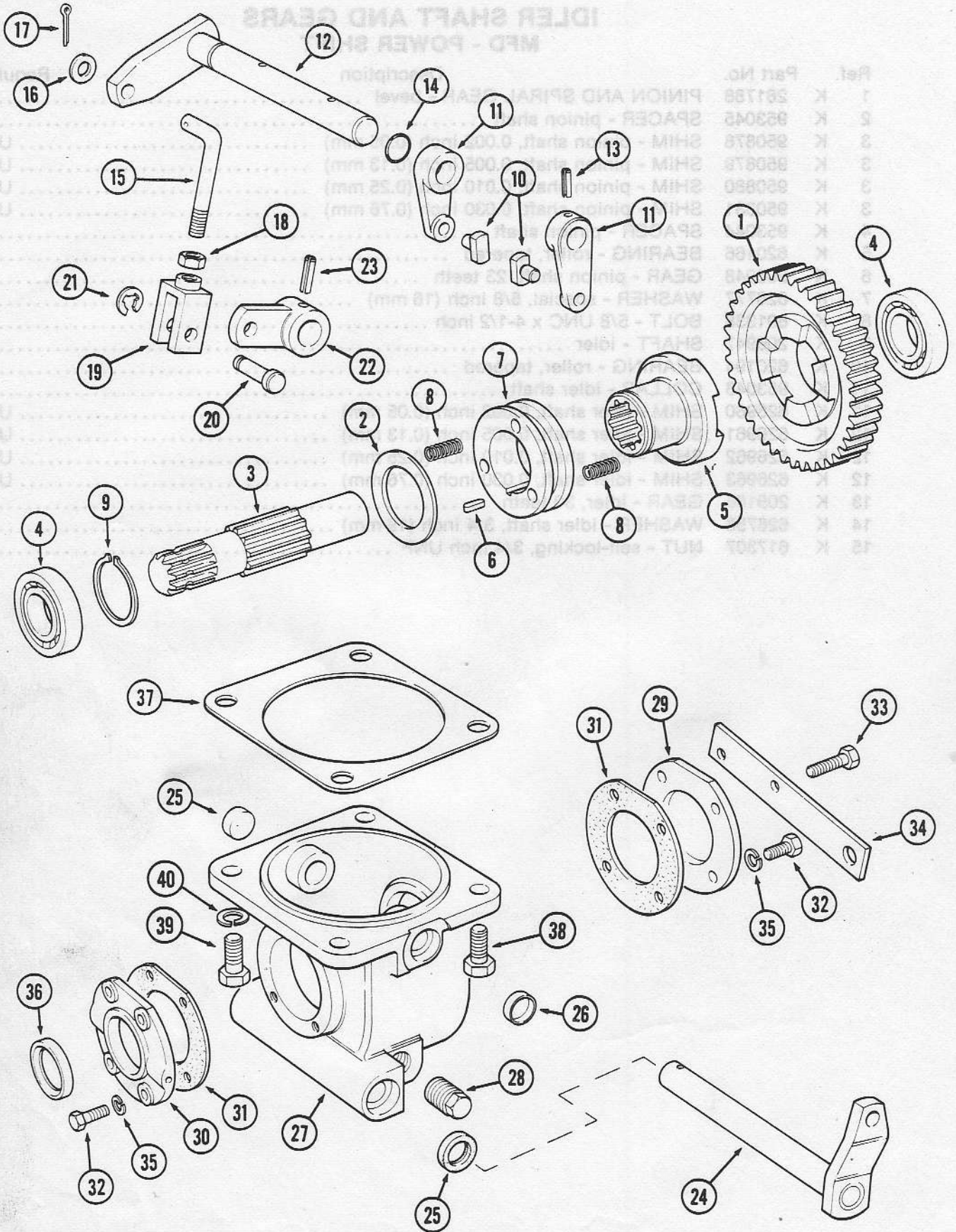
Ref	Part No	Description
1	28180	RING - end (Carno 11580)
2	28183	drive (Carno 11583)
3	28074	W - drive (Carno 11050)
4	28181	CH - (11581)
5	28184	KEY - sleeve (Carno 11584)
6	28180	SLEEVE - drive (Carno 11580)
7	28182	WASHER - clutch (Carno 11582)
8	28185	RING - end (Carno 2807)
9	28187	drive gear (Carno 2808)
10	28078	BEARING - drive (Carno 10885)
11	28077	GEAR - drive (Carno 10885)
12	28079	BEARING - shell (Carno 2819)
13	28079	PLATE - (2819)
14	28078	GASKET - (2819)
15	28078	BOLT - M8 x 25 mm (Carno 2819)
16	28078	WASHER - lock 8 mm (Carno 2819)
17	28078	SEAL - oil (Carno 2819)
18	28078	BEARING - roller (Carno 2819)
19	28078	SPACER - front (Carno 10885)
20	28078	GEAR - drive (Carno 10885)
21	28078	SHAFT - output (Carno 10885)
22	28078	SPACER - rear (Carno 10885)
23	28078	TE - rear (Carno 8024)



IDLER SHAFT AND GEARS MFD - POWER SHIFT

Ref.	Part No.	Description	Required
1	K 261788	PINION AND SPIRAL GEAR - bevel	1
2	K 953045	SPACER - pinion shaft	1
3	K 950878	SHIM - pinion shaft, 0.002 inch (0.05 mm)	UAR
3	K 950879	SHIM - pinion shaft, 0.005 inch (0.13 mm)	UAR
3	K 950880	SHIM - pinion shaft, 0.010 inch (0.25 mm)	UAR
3	K 950881	SHIM - pinion shaft, 0.030 inch (0.76 mm)	UAR
4	K 953044	SPACER - pinion shaft	1
5	K 620166	BEARING - roller, tapered	1
6	K 206948	GEAR - pinion shaft, 23 teeth	1
7	K 626777	WASHER - special, 5/8 inch (16 mm)	1
8	K 601338	BOLT - 5/8 UNC x 4-1/2 inch	1
9	K 206947	SHAFT - idler	1
10	K 620194	BEARING - roller, tapered	2
11	K 953043	COLLAR - idler shaft	1
12	K 626960	SHIM - idler shaft, 0.002 inch (0.05 mm)	UAR
12	K 626961	SHIM - idler shaft, 0.005 inch (0.13 mm)	UAR
12	K 626962	SHIM - idler shaft, 0.010 inch (0.25 mm)	UAR
12	K 626963	SHIM - idler shaft, 0.030 inch (0.76 mm)	UAR
13	K 205166	GEAR - idler, 30 teeth	1
14	K 626758	WASHER - idler shaft, 3/4 inch (19 mm)	1
15	K 617307	NUT - self-locking, 3/4 inch UNF	1

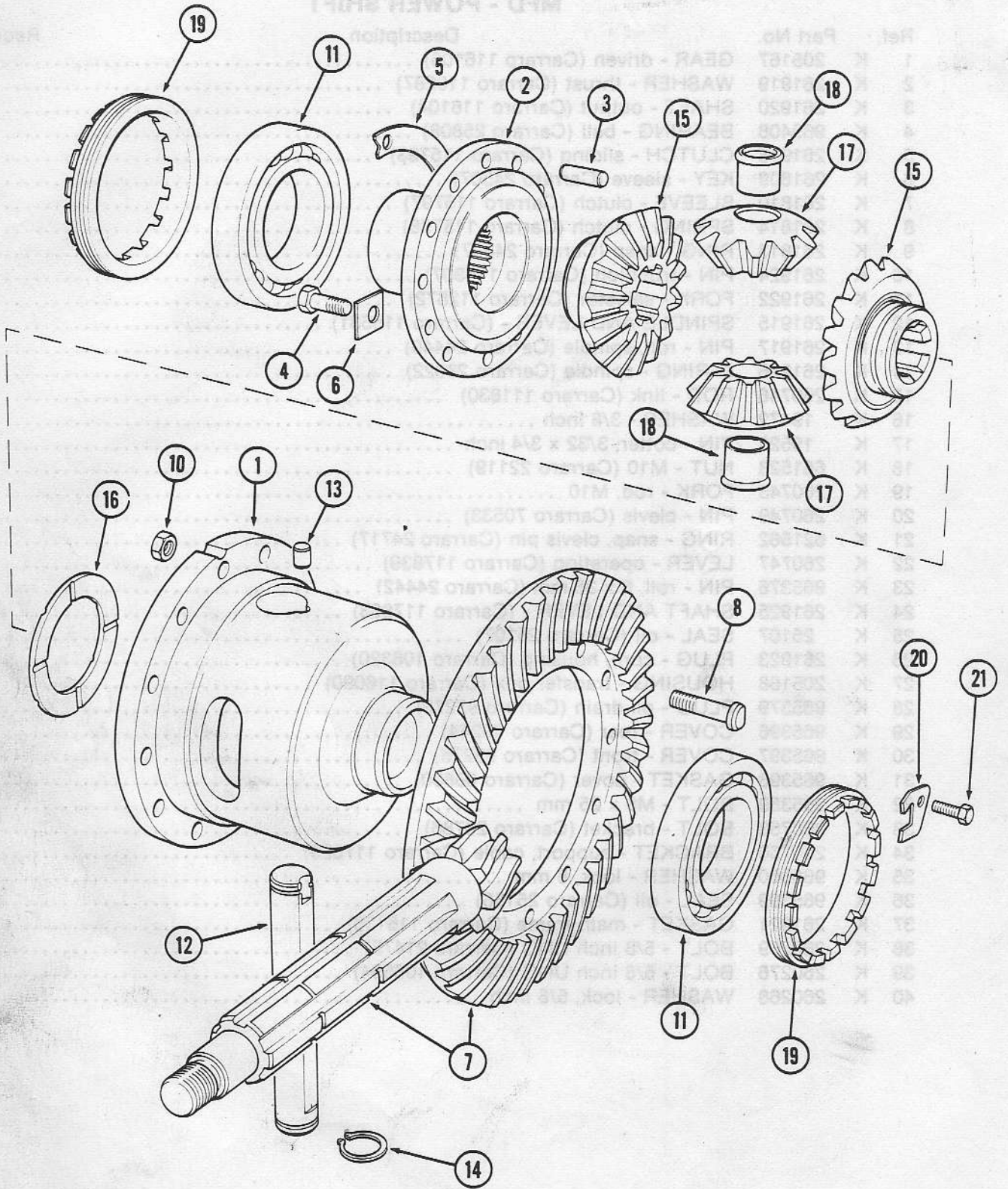
IDLER SHAFT AND GEARS



TRANSFER GEARBOX ASSEMBLY MFD - POWER SHIFT

Ref.	Part No.	Description	Required
1	K 205167	GEAR - driven (Carraro 116105)	1
2	K 261919	WASHER - thrust (Carraro 110287)	1
3	K 261920	SHAFT - output (Carraro 116104)	1
4	K 965408	BEARING - ball (Carraro 25808)	2
5	K 261918	CLUTCH - sliding (Carraro 115793)	1
6	K 261809	KEY - sleeve (Carraro 24507)	1
7	K 261810	SLEEVE - clutch (Carraro 115797)	1
8	K 261814	SPRING - clutch (Carraro 115798)	6
9	K 261813	RING - snap (Carraro 24807)	1
10	K 261924	PIN - trunnion (Carraro 115307)	2
11	K 261922	FORK - selector (Carraro 112872)	2
12	K 261915	SPINDLE AND LEVER - (Carraro 116531)	1
13	K 261917	PIN - roll, spindle (Carraro 24440)	2
14	K 261916	O-RING - spindle (Carraro 28522)	1
15	K 260746	ROD - link (Carraro 111830)	1
16	K 19472	WASHER - 3/8 inch	1
17	K 19528	PIN - cotter, 3/32 x 3/4 inch	1
18	K 651528	NUT - M10 (Carraro 22119)	1
19	K 260745	FORK - rod, M10	1
20	K 260749	PIN - clevis (Carraro 70533)	1
21	K 621562	RING - snap, clevis pin (Carraro 24717)	1
22	K 260747	LEVER - operating (Carraro 117839)	1
23	K 965376	PIN - roll, 6 x 35 mm (Carraro 24442)	1
24	K 261925	SHAFT AND LEVER - (Carraro 117863)	1
25	K 25107	SEAL - oil (Carraro 25107)	2
26	K 261923	PLUG - core, housing (Carraro 106320)	1
27	K 205168	HOUSING - transfer box (Carraro 116090)	1
28	K 965379	PLUG - oil drain (Carraro 92270)	1
29	K 965396	COVER - rear (Carraro 89244)	1
30	K 965397	COVER - front (Carraro 89275)	1
31	K 965398	GASKET - cover (Carraro 88830)	2
32	K 965359	BOLT - M8 x 25 mm	6
33	K 260753	BOLT - bracket (Carraro 20786)	2
34	K 260750	BRACKET - support, cable (Carraro 117829)	1
35	K 965360	WASHER - lock, 8 mm	8
36	K 965399	SEAL - oil (Carraro 25156)	1
37	K 261921	GASKET - main frame (Carraro 116136)	1
38	K 260269	BOLT - 5/8 inch UNC (Carraro 21475)	3
39	K 260276	BOLT - 5/8 inch UNC (Carraro 106594)	1
40	K 260268	WASHER - lock, 5/8 inch	4

194 TRACTOR
TRANSFER GEARBOX ASSEMBLY
MFD - POWER SHIFT



DIFFERENTIAL

Ref.	Part No.	Description	Required
1	K 954483	CAGE - differential	1
2	K 903184	PLATE - end	1
3	K 621801	DOWEL - 3/8 x 1-1/8 inch	3
4	K 602904	BOLT - 3/8 UNC x 1 inch	9
5	K 903185	WASHER - tab, end plate bolt	3
6	K 626372	WASHER - tab, end plate bolt	3
7	K 964873	PINION AND SPIRAL GEAR - bevel, (Synchromesh, two wheel drive)	1
7	K 965895	PINION AND SPIRAL GEAR - bevel, (Synchromesh, MFD)	1
7	K 962894	PINION AND SPIRAL GEAR - (Power Shift, two-wheel drive)	1
7	K 261788	PINION AND SPIRAL GEAR - bevel, (Power Shift, MFD)	1
8	K 905664	BOLT - 7/16 inch UNC, special	12
10	K 607399	NUT - self locking, 7/16 inch UNC	6
11	K 19010	BEARING - ball	2
12	K 951551	PIN - 1-1/8 inch (29 mm) diameter	1
13	K 621858	DOWEL - pin	1
14	K 12207	RING - snap, 1-1/8 inch (29 mm) external	2
15	K 30234	GEAR - bevel, 16 teeth	2
16	K 940805	WASHER - thrust	1
17	K 261657	PINION - bevel, with bushing	2
18	K 203837	BUSHING - bevel pinion	1
19	K 15007	ADJUSTER - pinion	2
20	K 626420	PLATE - locking	2
21	K 602801	BOLT - 5/16 inch UNC	2

Nouveau Montage

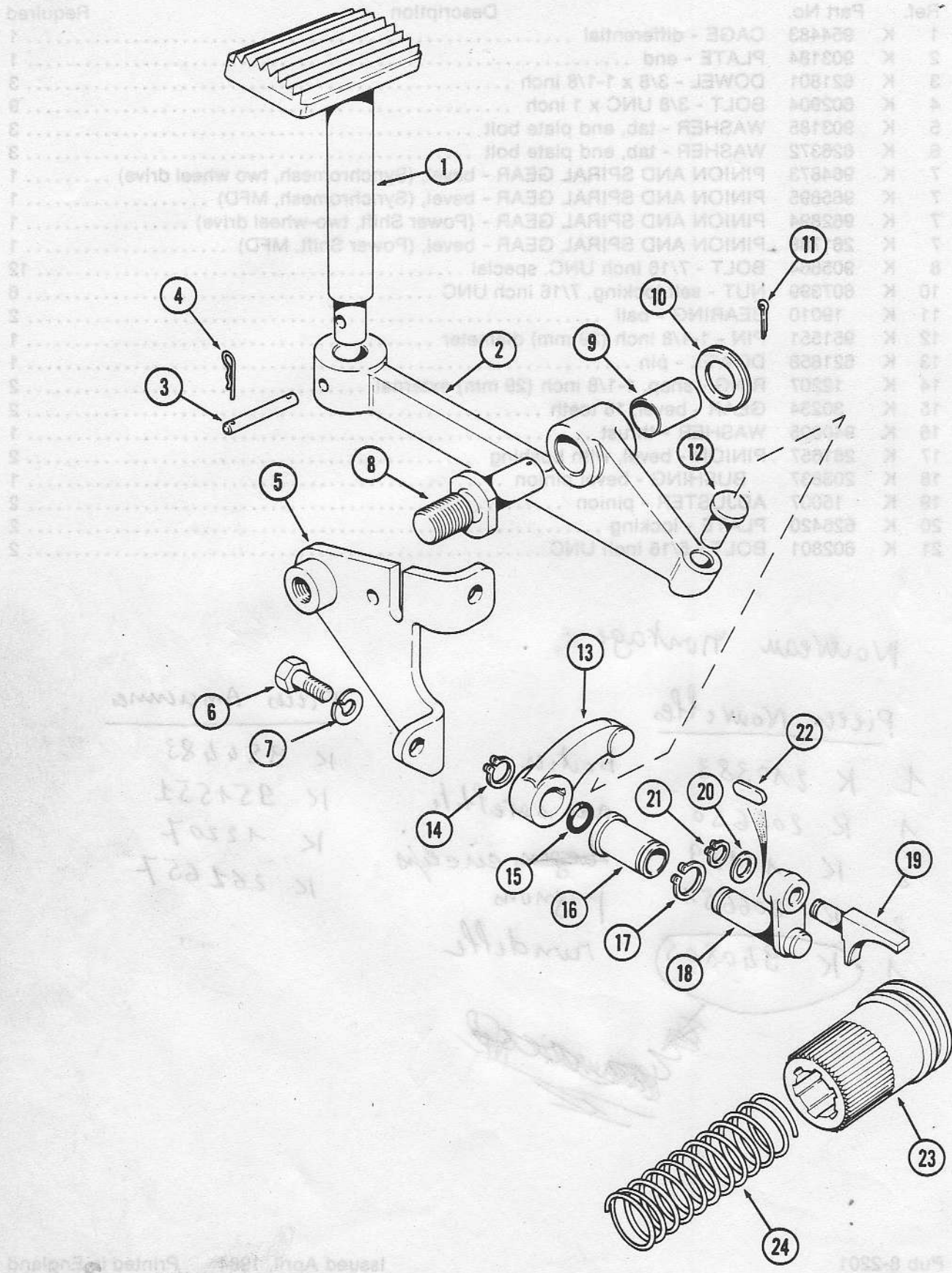
Pieces Nouvelles

1 K 210383 boitier
 1 K 206650 axe satellite
 2 K 11129 ~~les~~ circlips
 2 K 206651 pignons
 1 K 940805 rondelle

Pieces Anciennes

K 954483
 K 951551
 K 12207
 K 261657

DIFFERENTIAL

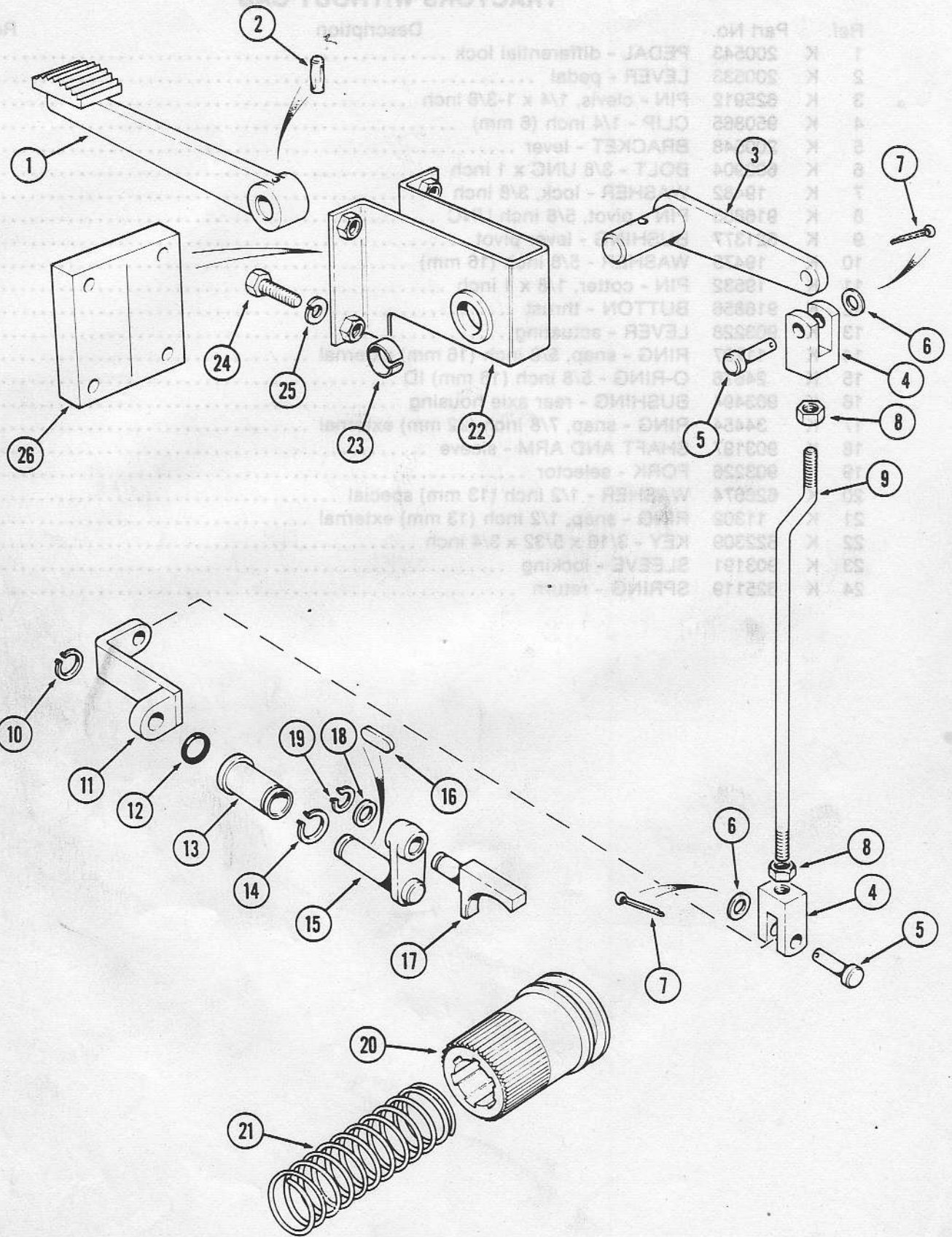


DIFFERENTIAL LOCK AND CONTROLS TRACTORS WITHOUT CAB

Ref.	Part No.	Description	Required
1	K 200543	PEDAL - differential lock	1
2	K 200533	LEVER - pedal	1
3	K 625912	PIN - clevis, 1/4 x 1-3/8 inch	1
4	K 950865	CLIP - 1/4 inch (6 mm)	2
5	K 200548	BRACKET - lever	1
6	K 602904	BOLT - 3/8 UNC x 1 inch	2
7	K 19482	WASHER - lock, 3/8 inch	2
8	K 916855	PIN - pivot, 5/8 inch UNC	1
9	K 621377	BUSHING - lever pivot	1
10	K 19475	WASHER - 5/8 inch (16 mm)	1
11	K 19532	PIN - cotter, 1/8 x 1 inch	1
12	K 916856	BUTTON - thrust	1
13	K 903228	LEVER - actuating	1
14	K 11797	RING - snap, 5/8 inch (16 mm) external	1
15	K 24676	O-RING - 5/8 inch (16 mm) ID	1
16	K 903494	BUSHING - rear axle housing	1
17	K 34454	RING - snap, 7/8 inch (22 mm) external	1
18	K 903197	SHAFT AND ARM - sleeve	1
19	K 903226	FORK - selector	1
20	K 626674	WASHER - 1/2 inch (13 mm) special	1
21	K 11302	RING - snap, 1/2 inch (13 mm) external	1
22	K 622309	KEY - 3/16 x 5/32 x 3/4 inch	1
23	K 903191	SLEEVE - locking	1
24	K 625119	SPRING - return	1

DIFFERENTIAL LOCK AND CONTROLS
TRACTORS WITHOUT CAB

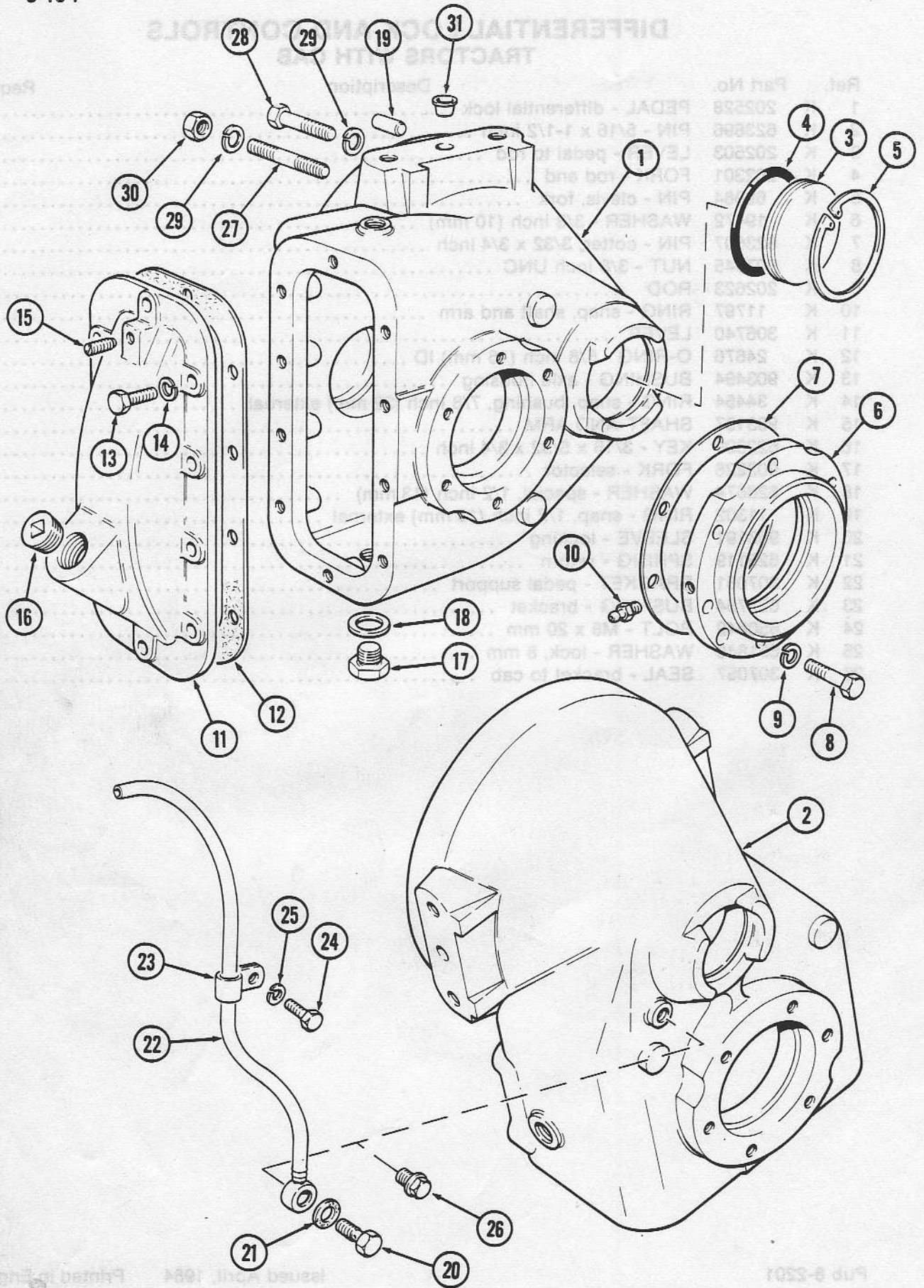
Required



Part No.	Description
1	PEDAL - differential lock
2	LEVER - pedal
3	PIN - clevis, 7/16 x 1-5/8 inch
4	CLIP - 1/4 inch (6 mm)
5	BRACKET - lever
6	BOLT - 3/8 UNC x 1 inch
7	WASHER - lock, 3/8 inch
8	NUT - 3/8 inch
9	SHAFT - 5/8 inch (13 mm) special
10	WASHER - 1/2 inch (13 mm) special
11	RING - snap, 1/2 inch (13 mm) external
12	KEY - 3/16 x 3/8 x 5/16 inch
13	SLAVE - locking
14	SPRING - return

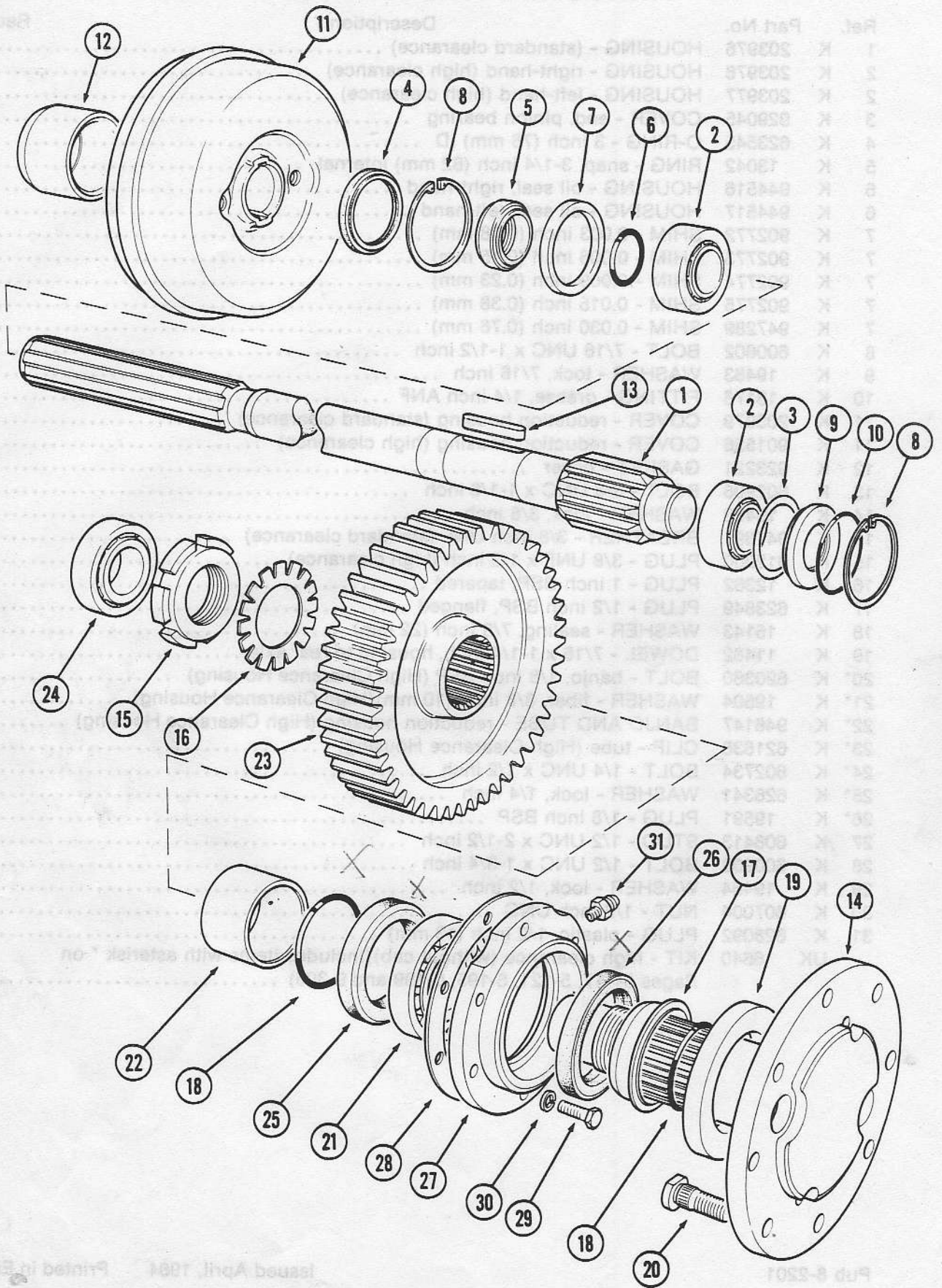
DIFFERENTIAL LOCK AND CONTROLS TRACTORS WITH CAB

Ref.	Part No.	Description	Required
1	K 202528	PEDAL - differential lock	1
2	K 623896	PIN - 5/16 x 1-1/2 inch	1
3	K 202503	LEVER - pedal to rod	1
4	K 202301	FORK - rod end	2
5	K 69984	PIN - clevis, fork	2
6	K 19472	WASHER - 3/8 inch (10 mm)	2
7	K 623607	PIN - cotter, 3/32 x 3/4 inch	2
8	K 607045	NUT - 3/8 inch UNC	2
9	K 202623	ROD	1
10	K 11797	RING - snap, shaft and arm	1
11	K 306740	LEVER	1
12	K 24676	O-RING - 5/8 inch (16 mm) ID	1
13	K 903494	BUSHING - axle housing	1
14	K 34454	RING - snap, bushing, 7/8 inch (22 mm) external	1
15	K 903197	SHAFT AND ARM	1
16	K 622309	KEY - 3/16 x 5/32 x 3/4 inch	1
17	K 903226	FORK - selector	1
18	K 626674	WASHER - special, 1/2 inch (13 mm)	1
19	K 11302	RING - snap, 1/2 inch (13 mm) external	1
20	K 903191	SLEEVE - locking	1
21	K 625119	SPRING - return	1
22	K 307051	BRACKET - pedal support	1
23	K 628754	BUSHING - bracket	2
24	K 650642	BOLT - M8 x 20 mm	4
25	K 651848	WASHER - lock, 8 mm	4
26	K 307057	SEAL - bracket to cab	1



FINAL DRIVE HOUSING AND COVERS

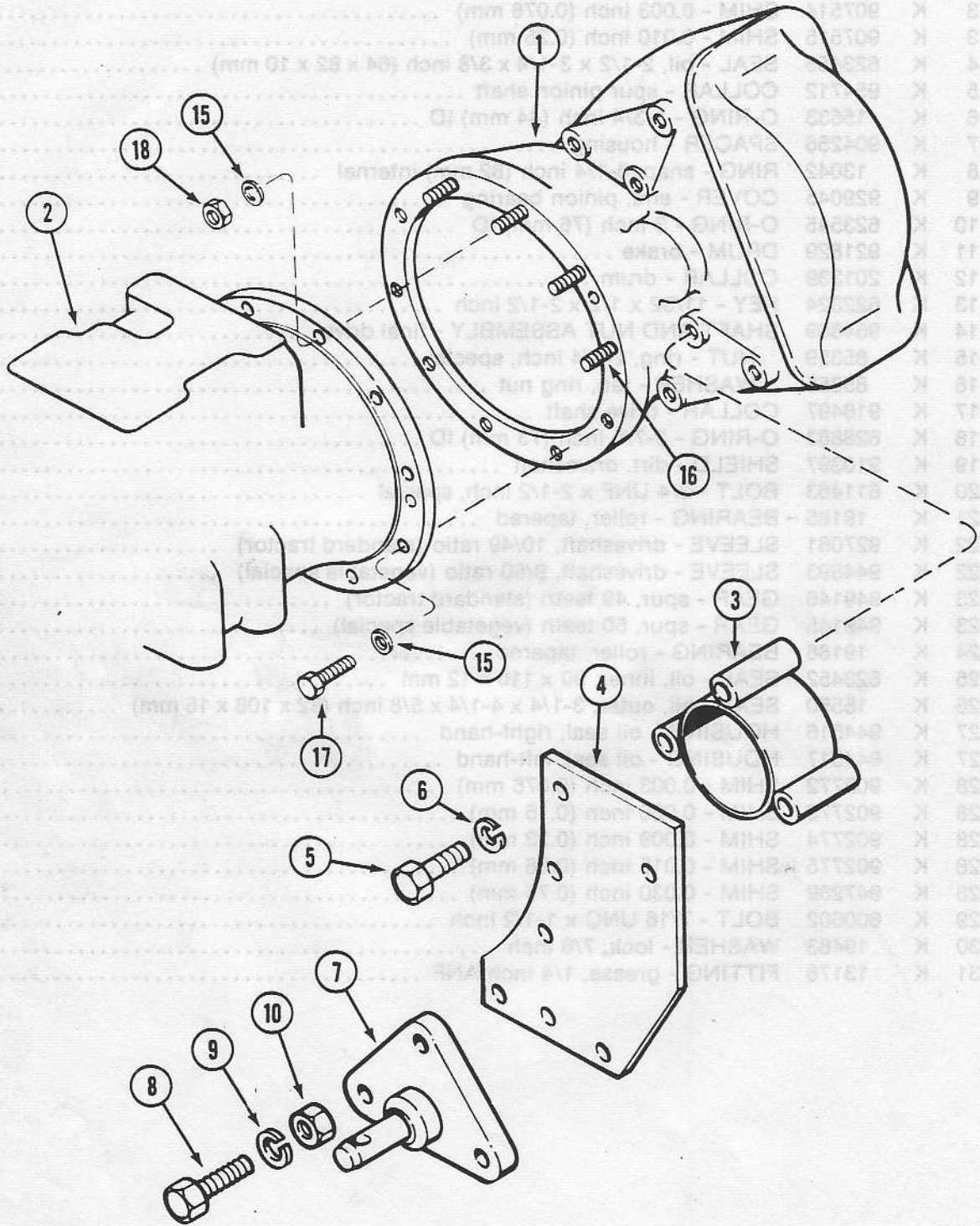
Ref.	Part No.	Description	Required
1	K 203976	HOUSING - (standard clearance)	2
2	K 203978	HOUSING - right-hand (high clearance)	1
2	K 203977	HOUSING - left-hand (high clearance)	1
3	K 929045	COVER - end, pinion bearing	2
4	K 623545	O-RING - 3 inch (76 mm) ID	2
5	K 13042	RING - snap, 3-1/4 inch (82 mm) internal	2
6	K 944516	HOUSING - oil seal, right-hand	1
6	K 944517	HOUSING - oil seal, left-hand	1
7	K 902772	SHIM - 0.003 inch (0.08 mm)	UAR
7	K 902773	SHIM - 0.006 inch (0.15 mm)	UAR
7	K 902774	SHIM - 0.009 inch (0.23 mm)	UAR
7	K 902775	SHIM - 0.015 inch (0.38 mm)	UAR
7	K 947289	SHIM - 0.030 inch (0.76 mm)	UAR
8	K 600602	BOLT - 7/16 UNC x 1-1/2 inch	12
9	K 19483	WASHER - lock, 7/16 inch	12
10	K 13176	FITTING - grease, 1/4 inch ANF	2
11	K 203979	COVER - reduction housing (standard clearance)	2
11	K 901556	COVER - reduction housing (high clearance)	2
12	K 923221	GASKET - cover	2
13	K 602905	BOLT - 3/8 UNC x 1-1/8 inch	20
14	K 19482	WASHER - lock, 3/8 inch	20
15	K 947891	BREATHER - 3/8 inch UNF (standard clearance)	2
15	K 612900	PLUG - 3/8 UNF x 1/2 inch (high clearance)	2
16	K 12362	PLUG - 1 inch BSP, tapered	2
17	K 623849	PLUG - 1/2 inch BSP, flanged	2
18	K 15143	WASHER - sealing, 7/8 inch (22 mm)	2
19	K 11482	DOWEL - 7/16 x 1-1/4 inch, housing to rear axle	4
20*	K 620360	BOLT - banjo, 1/8 inch BSP (High Clearance Housing)	2
21*	K 19504	WASHER - fiber, 3/8 inch (10 mm)(High Clearance Housing)	4
22*	K 946147	BANJO AND TUBE - reduction housing (High Clearance Housing)	2
23*	K 621638	CLIP - tube (High Clearance Housing)	4
24*	K 602734	BOLT - 1/4 UNC x 1/2 inch	4
25*	K 626341	WASHER - lock, 1/4 inch	4
26*	K 19591	PLUG - 1/8 inch BSP	2
27	K 608413	STUD - 1/2 UNC x 2-1/2 inch	4
28	K 600908	BOLT - 1/2 UNC x 1-3/4 inch	14
29	K 19484	WASHER - lock, 1/2 inch	20
30	K 607004	NUT - 1/2 inch UNC	4
31	K 628092	PLUG - plastic, 1/2 inch (13 mm)	2
UK	6640	KIT - high clearance (without cab)(Includes items with asterisk * on Pages 5-117, 5-121, 6-195, 6-199 and 9-305)	1



FINAL DRIVE GEARS AND SHAFTS

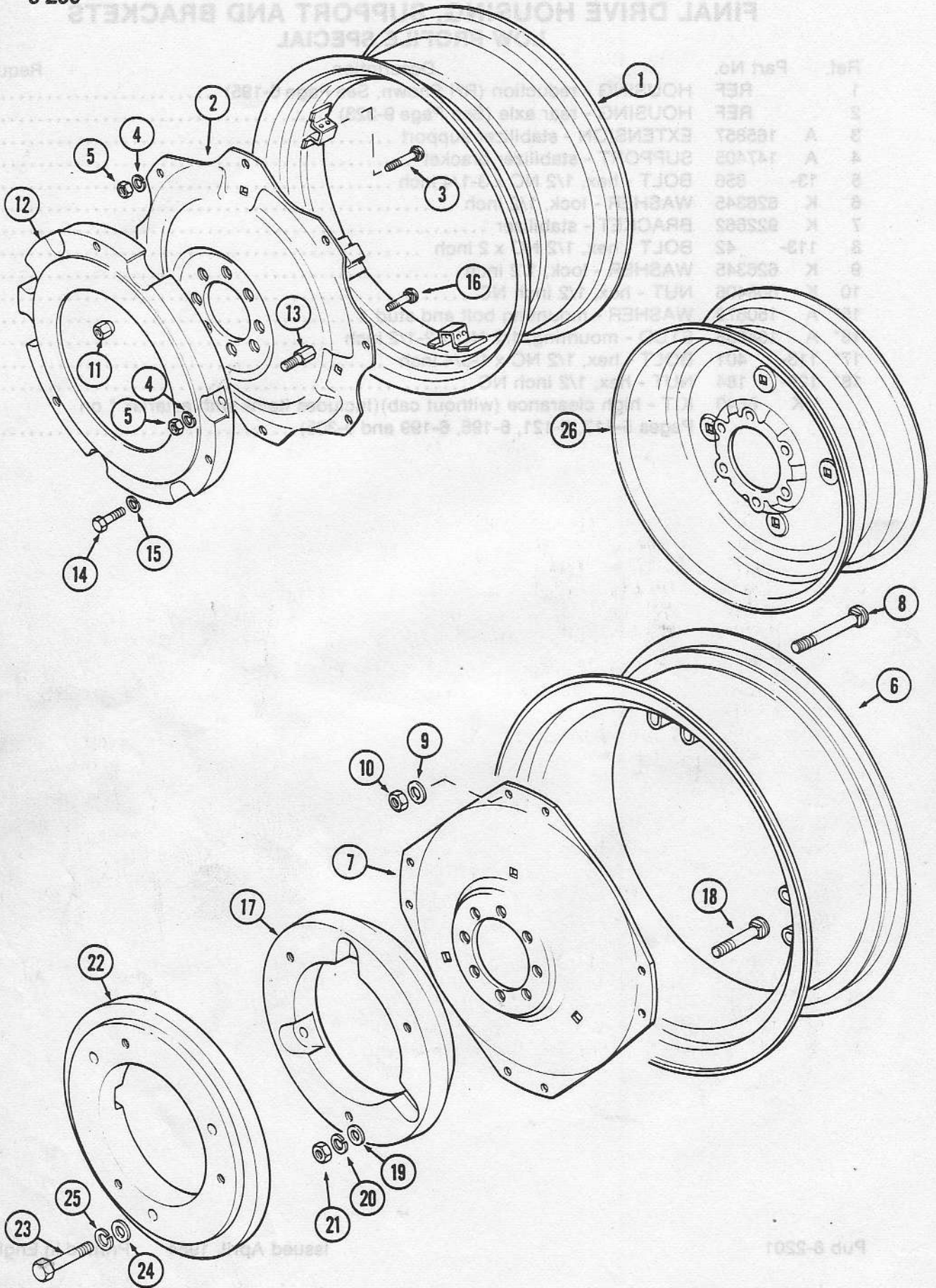
Ref.	Part No.	Description	Required
1	K 956323	SHAFT - pinion, spur, 10 teeth (standard tractor)	2
1	K 920435	SHAFT - pinion, spur, 9 teeth (vegetable special)	2
2	K 19186	BEARING - roller, tapered	4
3	K 907514	SHIM - 0.003 inch (0.076 mm)	AR
3	K 907515	SHIM - 0.010 inch (0.25 mm)	AR
4	K 623455	SEAL - oil, 2-1/2 x 3-1/4 x 3/8 inch (64 x 82 x 10 mm)	2
5	K 954712	COLLAR - spur pinion shaft	2
6	K 15533	O-RING - 1-3/4 inch (44 mm) ID	2
7	K 904256	SPACER - housing	2
8	K 13042	RING - snap, 3-1/4 inch (82 mm) internal	4
9	K 929045	COVER - end, pinion bearing	2
10	K 623545	O-RING - 3 inch (76 mm) ID	2
11	K 921829	DRUM - brake	2
12	K 201339	COLLAR - drum	2
13	K 622324	KEY - 11/32 x 1/2 x 2-1/2 inch	4
14	K 964869	SHAFT AND NUT ASSEMBLY - final drive	2
15	K 85359	NUT - ring, 2-3/4 inch, special	1
16	K 85355	WASHER - tab, ring nut	1
17	K 916497	COLLAR - drive shaft	2
18	K 628883	O-RING - 2-7/8 inch (73 mm) ID	4
19	K 910397	SHIELD - dirt, driveshaft	2
20	K 611463	BOLT - 3/4 UNF x 2-1/2 inch, special	16
21	K 19185	BEARING - roller, tapered	2
22	K 927061	SLEEVE - driveshaft, 10/49 ratio (standard tractor)	2
22	K 944893	SLEEVE - driveshaft, 9/50 ratio (vegetable special)	2
23	K 949146	GEAR - spur, 49 teeth (standard tractor)	2
23	K 949145	GEAR - spur, 50 teeth (vegetable special)	2
24	K 19186	BEARING - roller, tapered	2
25	K 623452	SEAL - oil, inner, 90 x 110 x 12 mm	2
26	K 15550	SEAL - oil, outer, 3-1/4 x 4-1/4 x 5/8 inch (82 x 108 x 16 mm)	2
27	K 944516	HOUSING - oil seal, right-hand	1
27	K 944517	HOUSING - oil seal, left-hand	1
28	K 902772	SHIM - 0.003 inch (0.076 mm)	UAR
28	K 902773	SHIM - 0.006 inch (0.15 mm)	UAR
28	K 902774	SHIM - 0.009 inch (0.23 mm)	UAR
28	K 902775	SHIM - 0.015 inch (0.38 mm)	UAR
28	K 947289	SHIM - 0.030 inch (0.76 mm)	UAR
29	K 600602	BOLT - 7/16 UNC x 1-1/2 inch	12
30	K 19483	WASHER - lock, 7/6 inch	12
31	K 13176	FITTING - grease, 1/4 inch ANF	2

FINAL DRIVE GEARS AND SHAFTS



FINAL DRIVE HOUSING, SUPPORT AND BRACKETS LOW PROFILE SPECIAL

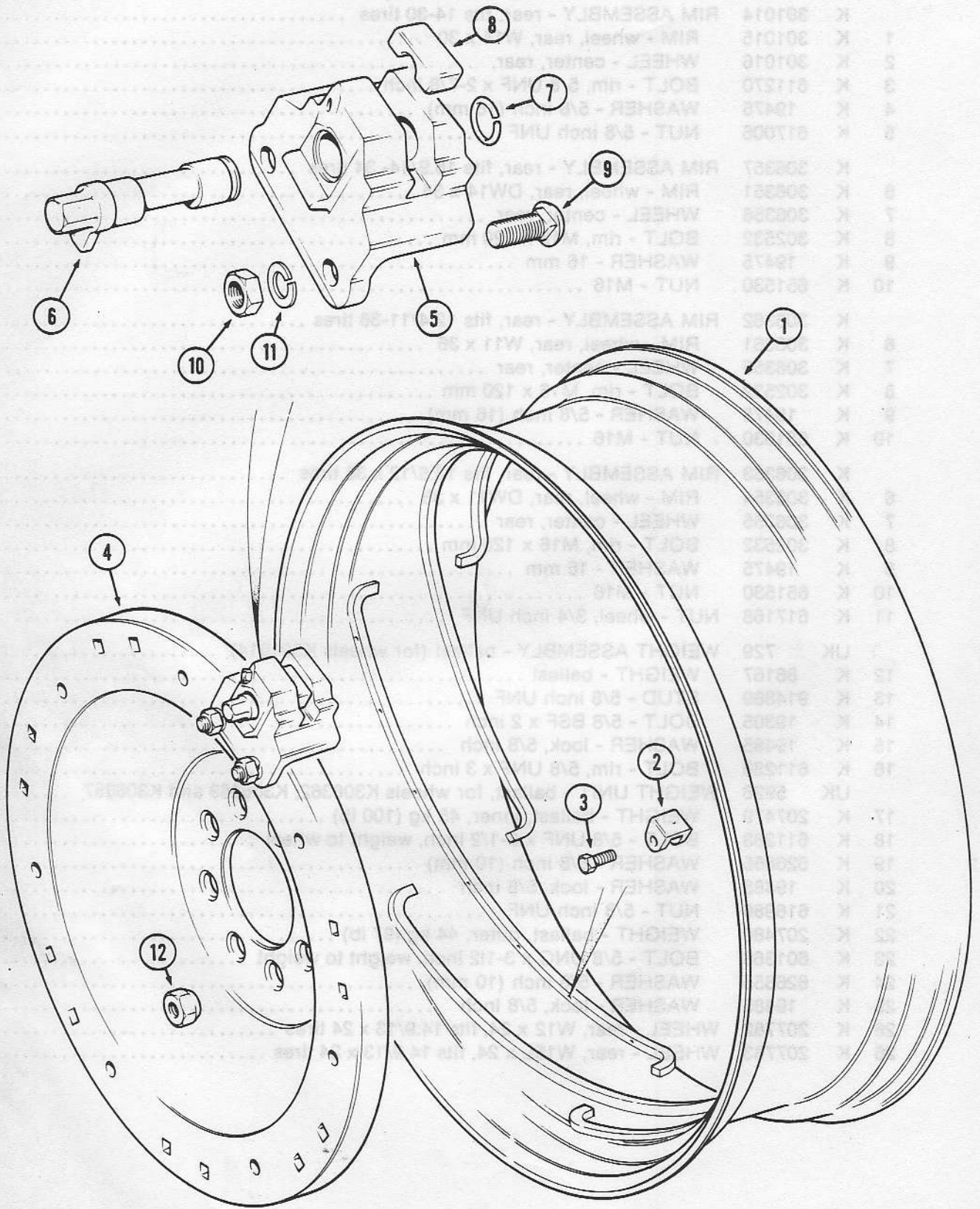
Ref.	Part No.	Description	Required
1	REF	HOUSING - reduction (RH Shown, See Page 6-195)	2
2	REF	HOUSING - rear axle (See Page 9-323)	1
3	A 165857	EXTENSION - stabilizer support	2
4	A 147405	SUPPORT - stabilizer bracket	2
5	13- 856	BOLT - hex, 1/2 NC x 3-1/4 inch	6
6	K 626345	WASHER - lock, 1/2 inch	6
7	K 922662	BRACKET - stabilizer	2
8	113- 42	BOLT - hex, 1/2 NC x 2 inch	6
9	K 626345	WASHER - lock, 1/2 inch	6
10	K 608406	NUT - hex, 1/2 inch NC	6
15*	A 150672	WASHER - mounting bolt and stud	20
16*	A 164858	STUD - mounting, 1/2 NC x 2-1/2 inch	8
17*	113- 401	BOLT - hex, 1/2 NC x 1-3/4 inch	12
18*	129- 184	NUT - hex, 1/2 inch NC	8
	UK 6640	KIT - high clearance (without cab)(Includes items with asterisk * on Pages 5-117, 5-121, 6-195, 6-199 and 9-305)	1



REAR WHEELS AND BALLAST WEIGHTS

Ref.	Part No.	Description	Required
	K 301014	RIM ASSEMBLY - rear, fits 14-30 tires	2
1	K 301015	RIM - wheel, rear, W14 x 30	1
2	K 301016	WHEEL - center, rear,	1
3	K 611270	BOLT - rim, 5/8 UNF x 2-7/8 inch	6
4	K 19475	WASHER - 5/8 inch (16 mm)	6
5	K 617006	NUT - 5/8 inch UNF	6
	K 306357	RIM ASSEMBLY - rear, fits 16.9/14- 34 tires	2
6	K 306351	RIM - wheel, rear, DW14 x 34	1
7	K 306356	WHEEL - center, rear	1
8	K 302532	BOLT - rim, M16 x 120 mm	8
9	K 19475	WASHER - 16 mm	8
10	K 651530	NUT - M16	8
	K 306362	RIM ASSEMBLY - rear, fits 12.4/11-36 tires	2
6	K 306361	RIM - wheel, rear, W11 x 36	1
7	K 306355	WHEEL - center, rear	1
8	K 302532	BOLT - rim, M16 x 120 mm	8
9	K 19475	WASHER - 5/8 inch (16 mm)	8
10	K 651530	NUT - M16	8
	K 306353	RIM ASSEMBLY - rear, fits 13.6/12 x 38 tires	2
6	K 306354	RIM - wheel, rear, DW11 x 38	1
7	K 306355	WHEEL - center, rear	1
8	K 302532	BOLT - rim, M16 x 120 mm	8
9	K 19475	WASHER - 16 mm	8
10	K 651530	NUT - M16	8
11	K 617168	NUT - wheel, 3/4 inch UNF	16
	UK 729	WEIGHT ASSEMBLY - ballast (for wheels K301014)	1
12	K 86167	WEIGHT - ballast	4
13	K 914869	STUD - 5/8 inch UNF	6
14	K 19305	BOLT - 5/8 BSF x 2 inch	6
15	K 19485	WASHER - lock, 5/8 inch	12
16	K 611280	BOLT - rim, 5/8 UNF x 3 inch	6
	UK 5926	WEIGHT UNIT - ballast, for wheels K306362, K306353 and K306357	1
17	K 207479	WEIGHT - ballast, inner, 45 kg (100 lb)	2
18	K 611283	BOLT - 5/8 UNF x 3-1/2 inch, weight to wheel	6
19	K 626855	WASHER - 5/8 inch (10 mm)	6
20	K 19485	WASHER - lock, 5/8 inch	6
21	K 616986	NUT - 5/8 inch UNF	6
22	K 207480	WEIGHT - ballast, outer, 44 kg (97 lb)	2
23	K 601366	BOLT - 5/8 UNC x 3-11/2 inch, weight to weight	6
24	K 626855	WASHER - 5/8 inch (10 mm)	6
25	K 19485	WASHER - lock, 5/8 inch	6
26	K 207782	WHEEL - rear, W12 x 24, fits 14.9/13 x 24 tires	2
26	K 207783	WHEEL - rear, W15L x 24, fits 14.9/13 x 24 tires	2

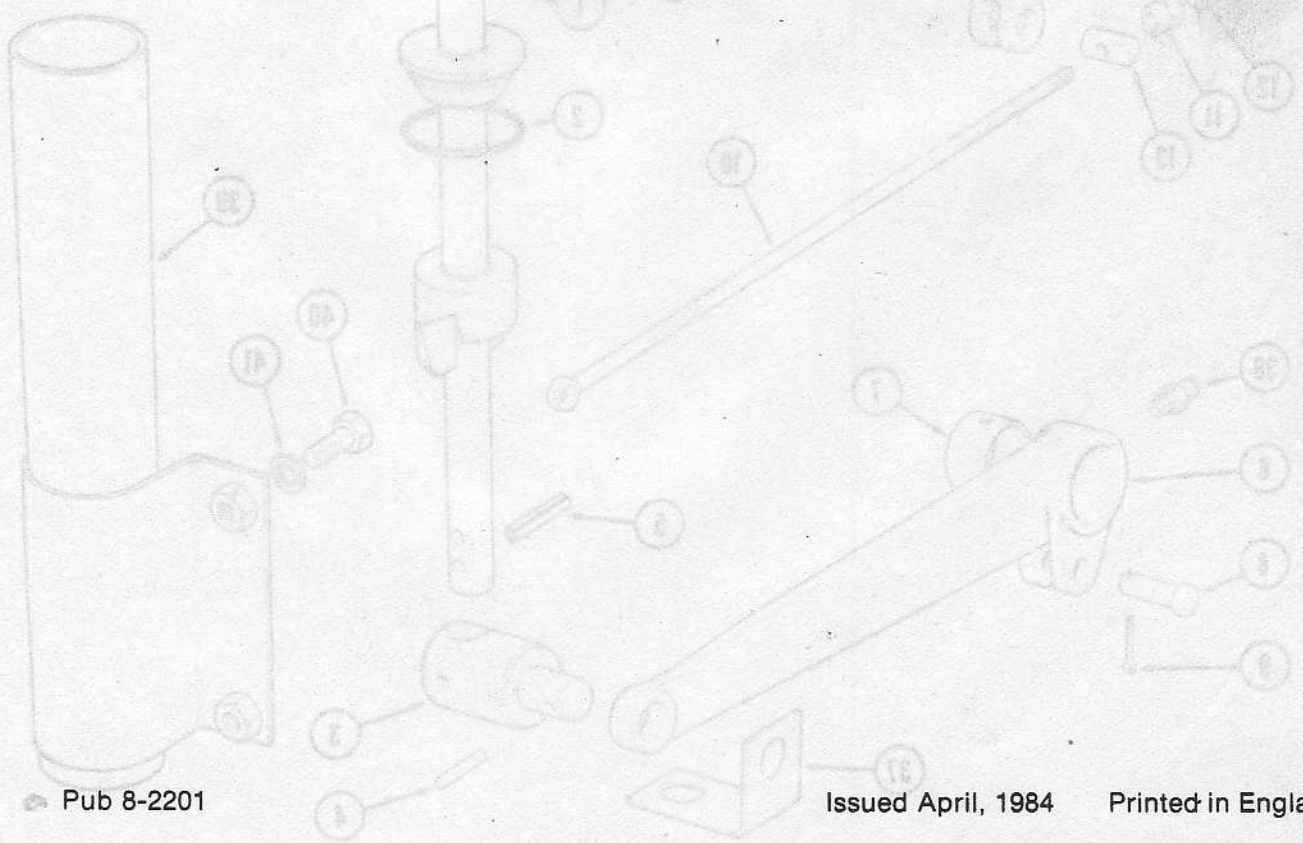
REAR WHEELS AND BALLAST WEIGHTS



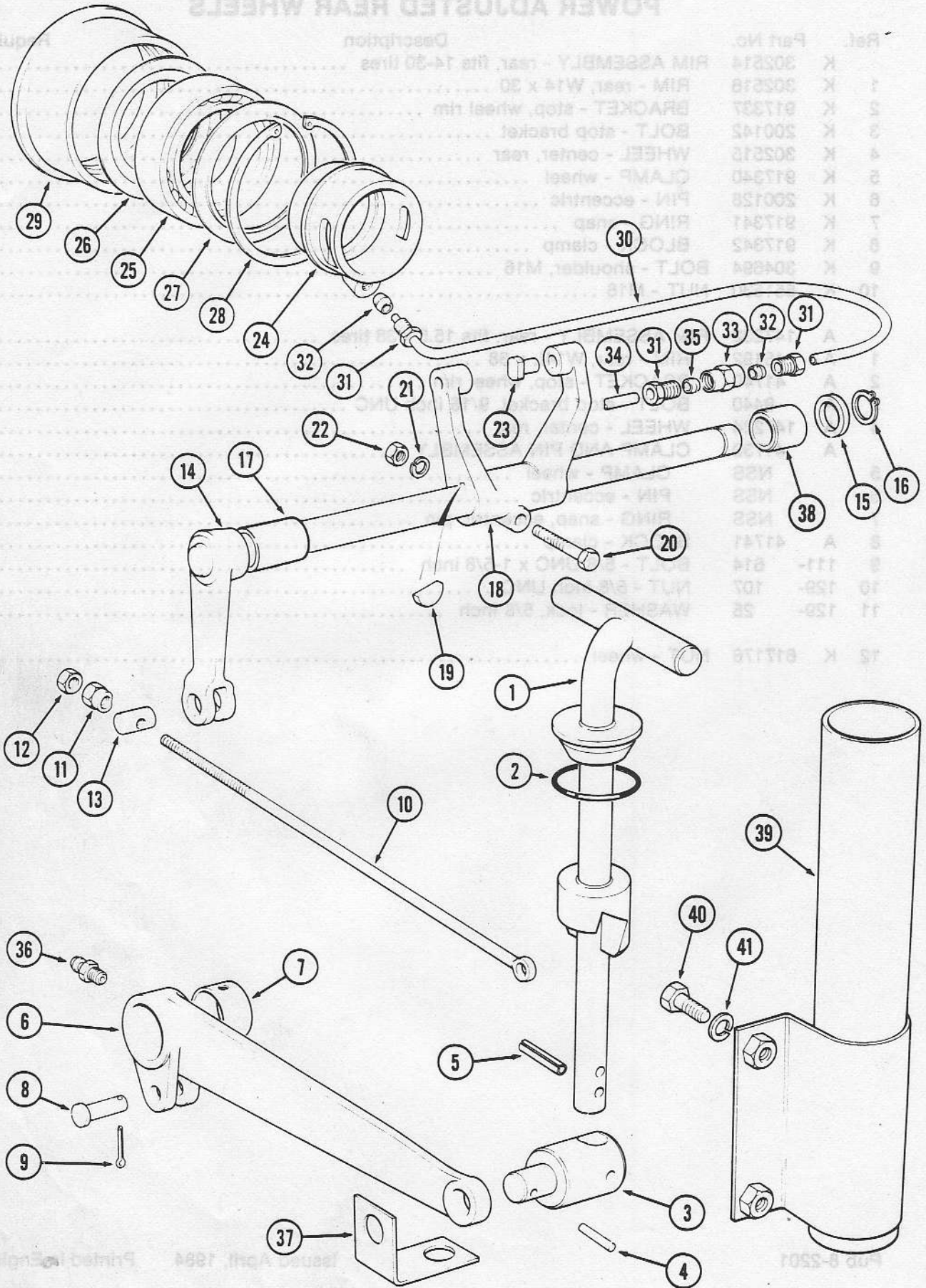
Part No.	Description
301014	RIM ASSEMBLY - rear 14-30 tires
301015	RIM - wheel, rear
301016	WHEEL - center, rear
611270	BOLT - rim
19475	WASHER - 5/16 inch
617005	NUT - 5/8 inch UNF
308357	RIM ASSEMBLY - rear
308351	RIM - wheel, DW
308358	WHEEL - center
302530	BOLT - rim
19475	WASHER - 1/2 inch
651260	NUT - M18
301014	RIM ASSEMBLY - rear 14-30 tires
301015	RIM - wheel, rear
301016	WHEEL - center, rear
611270	BOLT - rim
19475	WASHER - 5/16 inch
617005	NUT - 5/8 inch UNF
308357	RIM ASSEMBLY - rear
308351	RIM - wheel, DW
308358	WHEEL - center
302530	BOLT - rim
19475	WASHER - 1/2 inch
651260	NUT - M18
759	WEIGHT ASSEMBLY - 2
88167	WEIGHT - ballast
618889	UD - 5/8 inch UNF
19475	WASHER - 1/2 inch
617005	NUT - 5/8 inch UNF
20114	BOLT - 5/16 inch
611270	BOLT - rim
19475	WASHER - 5/16 inch
617005	NUT - 5/8 inch UNF
301014	RIM ASSEMBLY - rear 14-30 tires
301015	RIM - wheel, rear
301016	WHEEL - center, rear
611270	BOLT - rim
19475	WASHER - 5/16 inch
617005	NUT - 5/8 inch UNF

POWER ADJUSTED REAR WHEELS

Ref.	Part No.	Description	Required
	K 302514	RIM ASSEMBLY - rear, fits 14-30 tires	2
1	K 302516	RIM - rear, W14 x 30	1
2	K 917337	BRACKET - stop, wheel rim	2
3	K 200142	BOLT - stop bracket	2
4	K 302515	WHEEL - center, rear	1
5	K 917340	CLAMP - wheel	5
6	K 200128	PIN - eccentric	5
7	K 917341	RING - snap	5
8	K 917342	BLOCK - clamp	5
9	K 304694	BOLT - shoulder, M16	10
10	K 651530	NUT - M16	10
	A 147232	RIM ASSEMBLY - rear, fits 15.5 x 38 tires	2
1	A 45192	RIM - rear, W14L x 38	1
2	A 41740	BRACKET - stop, wheel rim	2
3	A 9440	BOLT - stop bracket, 9/16 inch UNC	2
4	A 147234	WHEEL - center, rear	1
	A 41739	CLAMP AND PIN ASSEMBLY	6
5	NSS	CLAMP - wheel	1
6	NSS	PIN - eccentric	1
7	NSS	RING - snap, eccentric pin	1
8	A 41741	BLOCK - clamp	6
9	111- 614	BOLT - 5/8 UNC x 1-5/8 inch	12
10	129- 107	NUT - 5/8 inch UNC	12
11	129- 25	WASHER - lock, 5/8 inch	12
12	K 617176	NUT - wheel	16



POWER ADJUSTED REAR WHEELS

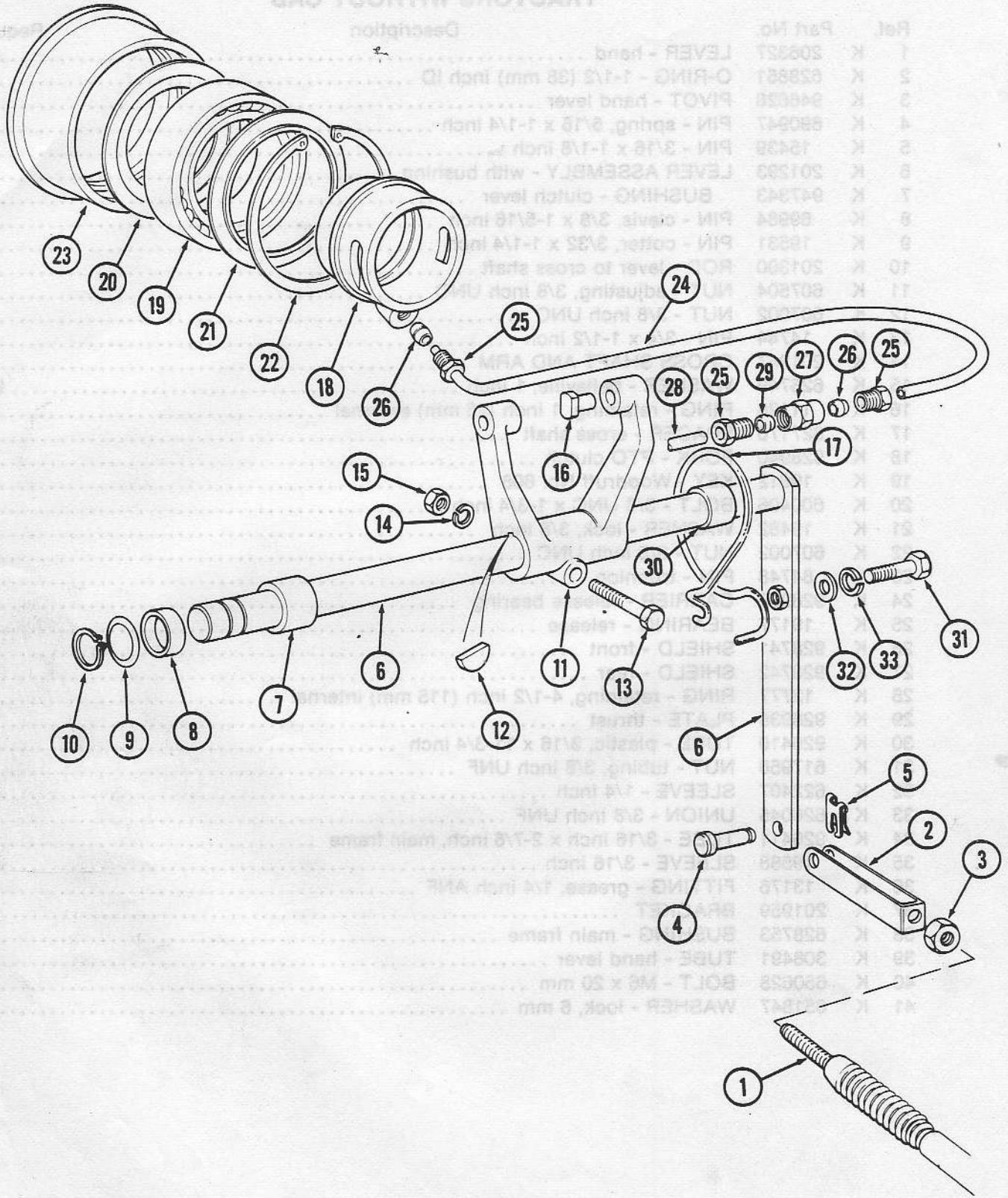


Ref.	Part No.	Description
1	302518	RIM ASSEMBLY - rear, fits 14-50 tires
2	917307	RIM - rear, W14 x 30
3	200145	BRACKET - stop, wheel rim
4	302512	BOLT - stop bracket
5	917340	WHEEL - center, rear
6	302512	CLAMP - wheel
7	917341	PIN - eccentric
8	200128	RING - stop
9	917342	BOLT - stop, clamp
10	302524	BOLT - shoulder, M18
11	159-58	WASHER
12	111-814	NUT - lock
13	159-107	NUT - lock
14	41741	RING - stop
15	159-107	NUT - lock
16	159-58	WASHER
17	159-58	WASHER
18	159-58	WASHER
19	159-58	WASHER
20	159-58	WASHER
21	159-58	WASHER
22	159-58	WASHER
23	159-58	WASHER
24	159-58	WASHER
25	159-58	WASHER
26	159-58	WASHER
27	159-58	WASHER
28	159-58	WASHER
29	159-58	WASHER
30	159-58	WASHER
31	159-58	WASHER
32	159-58	WASHER
33	159-58	WASHER
34	159-58	WASHER
35	159-58	WASHER
36	159-58	WASHER
37	159-58	WASHER
38	159-58	WASHER
39	159-58	WASHER
40	159-58	WASHER
41	159-58	WASHER

PTO CLUTCH RELEASE MECHANISM TRACTORS WITHOUT CAB

Ref.	Part No.	Description	Required
1	K 206327	LEVER - hand	1
2	K 628851	O-RING - 1-1/2 (38 mm) inch ID	1
3	K 946628	PIVOT - hand lever	1
4	K 690947	PIN - spring, 5/16 x 1-1/4 inch	1
5	K 15439	PIN - 3/16 x 1-1/8 inch	1
6	K 201293	LEVER ASSEMBLY - with bushing	1
7	K 947343	BUSHING - clutch lever	1
8	K 69984	PIN - clevis, 3/8 x 1-5/16 inch	1
9	K 19531	PIN - cotter, 3/32 x 1-1/4 inch	1
10	K 201300	ROD - lever to cross shaft	1
11	K 607504	NUT - adjusting, 3/8 inch UNC	1
12	K 607002	NUT - 3/8 inch UNC	2
13	K 14744	PIN - 3/4 x 1-1/2 inch	1
14	K 201247	CROSS SHAFT AND ARM	1
15	K 626749	WASHER - belleville, 1 inch	UAR
16	K 11128	RING - retaining, 1 inch (25 mm) external	1
17	K 627170	SPACER - cross shaft	1
18	K 928940	FORK - PTO clutch	1
19	K 19612	KEY - Woodruff No. 608	2
20	K 600406	BOLT - 3/8 UNC x 1-3/4 inch	1
21	K 19482	WASHER - lock, 3/8 inch	1
22	K 607002	NUT - 3/8 inch UNC	1
23	K 84748	PIN - trunnion	2
24	K 928939	CARRIER - release bearing	1
25	K 19177	BEARING - release	1
26	K 928741	SHIELD - front	1
27	K 928742	SHIELD - rear	1
28	K 12777	RING - retaining, 4-1/2 inch (115 mm) internal	1
29	K 928938	PLATE - thrust	1
30	K 926410	TUBE - plastic, 3/16 x 11-3/4 inch	1
31	K 617956	NUT - tubing, 3/8 inch UNF	3
32	K 622407	SLEEVE - 1/4 inch	2
33	K 626045	UNION - 3/8 inch UNF	1
34	K 926411	TUBE - 3/16 inch x 2-7/8 inch, main frame	1
35	K 19588	SLEEVE - 3/16 inch	1
36	K 13176	FITTING - grease, 1/4 inch ANF	1
37	K 201959	BRACKET	1
38	K 628753	BUSHING - main frame	4
39	K 308491	TUBE - hand lever	1
40	K 650628	BOLT - M6 x 20 mm	2
41	K 651847	WASHER - lock, 6 mm	2

13 TRACTOR
PTO CLUTCH RELEASE MECHANISM
TRACTORS WITHOUT CAB



Part No.	Description
1	LEVER - hand
2	O-RING - 1-1/2 (38 mm) inch ID
3	PIVOT - hand lever
4	PIN - spring, 5/16 x 1-1/4 inch
5	PIN - 3/16 x 1-1/8 inch
6	LEVER ASSEMBLY - with bushing
7	BUSHING - clutch lever
8	PIN - oval, 3/8 x 1-5/16 inch
9	PIN - collar, 3/32 x 1-1/4 inch
10	PIVOT - lever to cross shaft
11	Bushing, 3/8 inch ID
12	LEVER - hand
13	PIN - 3/16 x 1-1/8 inch
14	PIN - 3/16 x 1-1/8 inch
15	PIN - 3/16 x 1-1/8 inch
16	LEVER - hand
17	PIN - 3/16 x 1-1/8 inch
18	PIN - 3/16 x 1-1/8 inch
19	PIN - 3/16 x 1-1/8 inch
20	PIN - 3/16 x 1-1/8 inch
21	PIN - 3/16 x 1-1/8 inch
22	PIN - 3/16 x 1-1/8 inch
23	PIN - 3/16 x 1-1/8 inch
24	LEVER - hand
25	PIN - 3/16 x 1-1/8 inch
26	PIN - 3/16 x 1-1/8 inch
27	PIN - 3/16 x 1-1/8 inch
28	PIN - 3/16 x 1-1/8 inch
29	PIN - 3/16 x 1-1/8 inch
30	PIN - 3/16 x 1-1/8 inch
31	PIN - 3/16 x 1-1/8 inch
32	PIN - 3/16 x 1-1/8 inch
33	PIN - 3/16 x 1-1/8 inch

PTO CLUTCH RELEASE MECHANISM TRACTORS WITH CAB

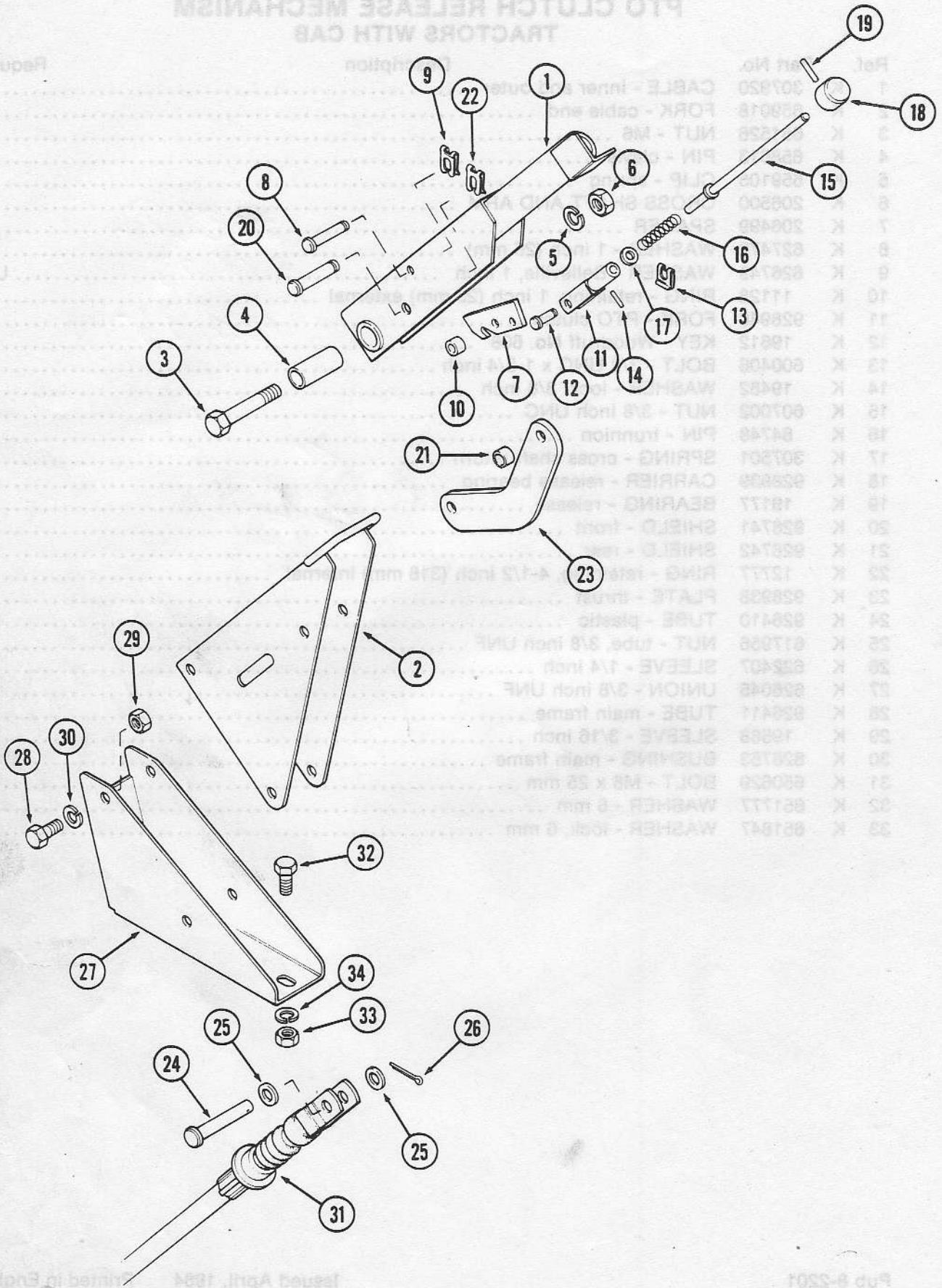
Ref.	Part No.	Description	Required
1	K 307920	CABLE - inner and outer	1
2	K 659018	FORK - cable end	1
3	K 651526	NUT - M6	2
4	K 658613	PIN - clevis	1
5	K 659105	CLIP - spring	1
6	K 206500	CROSS SHAFT AND ARM	1
7	K 206499	SPACER	2
8	K 627472	WASHER - 1 inch (25 mm)	1
9	K 626749	WASHER - Belleville, 1 inch	UAR
10	K 11128	RING - retaining, 1 inch (25 mm) external	1
11	K 928940	FORK - PTO clutch	1
12	K 19612	KEY - Woodruff No. 608	2
13	K 600406	BOLT - 3/8 UNC x 1-3/4 inch	1
14	K 19482	WASHER - lock, 3/8 inch	1
15	K 607002	NUT - 3/8 inch UNC	1
16	K 84748	PIN - trunnion	2
17	K 307501	SPRING - cross shaft return	1
18	K 928939	CARRIER - release bearing	1
19	K 19177	BEARING - release	1
20	K 928741	SHIELD - front	1
21	K 928742	SHIELD - rear	1
22	K 12777	RING - retaining, 4-1/2 inch (318 mm) internal	1
23	K 928938	PLATE - thrust	1
24	K 926410	TUBE - plastic	1
25	K 617956	NUT - tube, 3/8 inch UNF	3
26	K 622407	SLEEVE - 1/4 inch	2
27	K 626045	UNION - 3/8 inch UNF	1
28	K 926411	TUBE - main frame	1
29	K 19588	SLEEVE - 3/16 inch	1
30	K 628753	BUSHING - main frame	3
31	K 650629	BOLT - M6 x 25 mm	1
32	K 651777	WASHER - 6 mm	1
33	K 651847	WASHER - lock, 6 mm	1

PTO CLUTCH RELEASE MECHANISM
TRACTORS WITH CAB

137 TRACTOR

Required

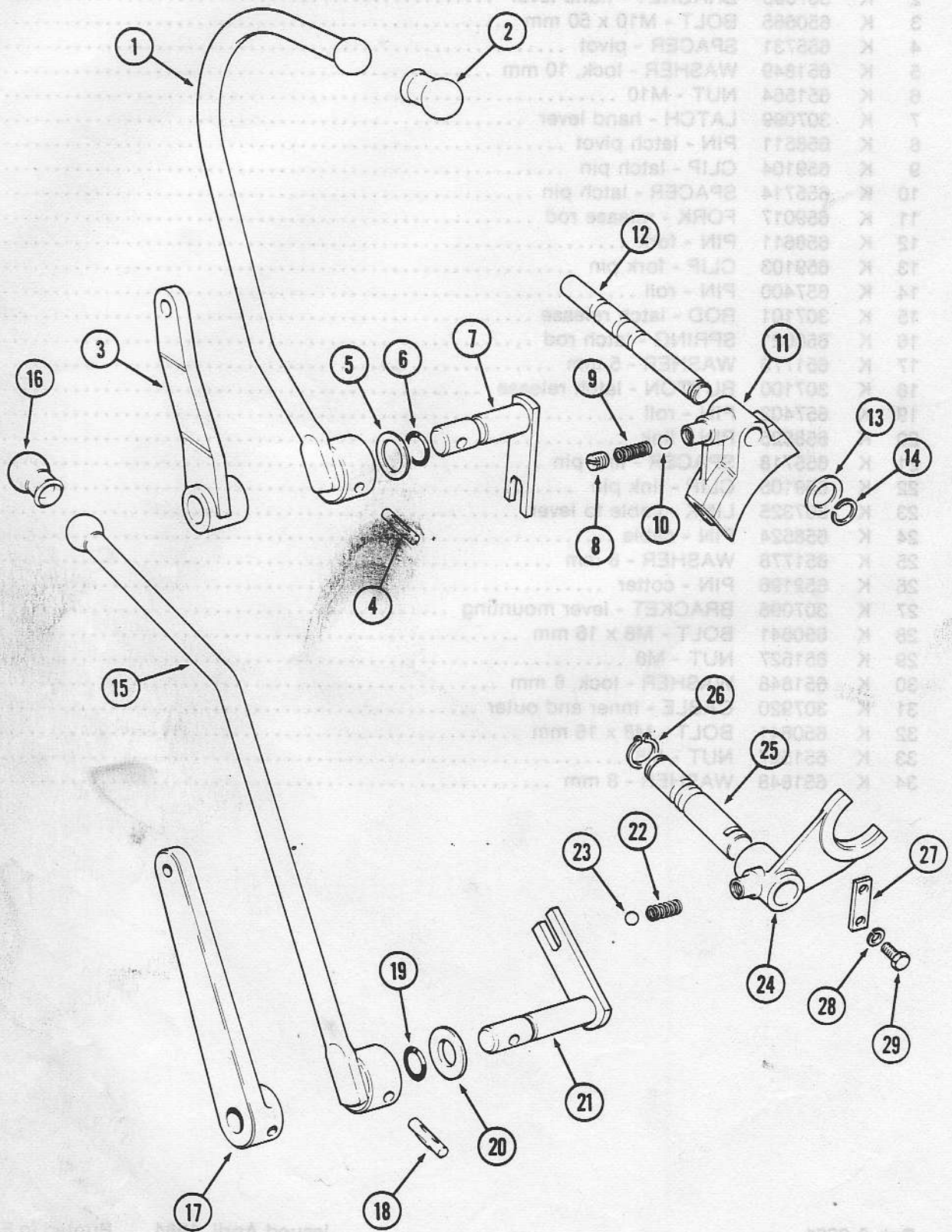
UAW



RELEASE LEVER FOR PTO CLUTCH TRACTORS WITH CAB

Ref.	Part No.	Description	Required
1	K 307090	LEVER - hand	1
2	K 307095	BRACKET - hand lever	1
3	K 650665	BOLT - M10 x 50 mm	1
4	K 655731	SPACER - pivot	1
5	K 651849	WASHER - lock, 10 mm	1
6	K 651554	NUT - M10	1
7	K 307099	LATCH - hand lever	1
8	K 658511	PIN - latch pivot	1
9	K 659104	CLIP - latch pin	1
10	K 655714	SPACER - latch pin	2
11	K 659017	FORK - release rod	1
12	K 658611	PIN - fork	1
13	K 659103	CLIP - fork pin	1
14	K 657400	PIN - roll	1
15	K 307101	ROD - latch release	1
16	K 658021	SPRING - latch rod	1
17	K 651776	WASHER - 5 mm	1
18	K 307100	BUTTON - latch release	1
19	K 657402	PIN - roll	1
20	K 658525	PIN - link	1
21	K 655718	SPACER - link pin	2
22	K 659105	CLIP - link pin	1
23	K 307325	LINK - cable to lever	1
24	K 658524	PIN - cable	1
25	K 651778	WASHER - 8 mm	2
26	K 652196	PIN - cotter	1
27	K 307096	BRACKET - lever mounting	1
28	K 650641	BOLT - M8 x 16 mm	4
29	K 651527	NUT - M8	4
30	K 651848	WASHER - lock, 8 mm	4
31	K 307920	CABLE - inner and outer	1
32	K 650641	BOLT - M8 x 16 mm	2
33	K 651527	NUT - M8	2
34	K 651848	WASHER - 8 mm	2

1114 TRACTOR
 RELEASE LEVER FOR PTO CLUTCH
 TRACTORS WITH CAB



Ref.	Part No.	Description
1	307080	LEVER - hand
2	307085	BRACKET - hand lever
3	850885	BOLT - M10 x 50 mm
4	852731	SPACER - pivot
5	851849	WASHER - lock, 10 mm
6	851854	NUT - M10
7	307089	LATCH - hand lever
8	852571	PIN - latch pivot
9	852104	CLIP - latch pin
10	852714	SPACER - latch pin
11	852077	FORK - base rod
12	852571	PIN - latch pivot
13	852104	CLIP - latch pin
14	852409	PIN - roll
15	307201	ROD - base rod
16	852714	SPACER - latch pin
17	852409	PIN - roll
18	852571	PIN - latch pivot
19	851849	WASHER - lock, 10 mm
20	851854	NUT - M10
21	307089	LATCH - hand lever
22	852571	PIN - latch pivot
23	852104	CLIP - latch pin
24	852409	PIN - roll
25	307201	ROD - base rod
26	852571	PIN - latch pivot
27	852104	CLIP - latch pin
28	852409	PIN - roll
29	852571	PIN - latch pivot

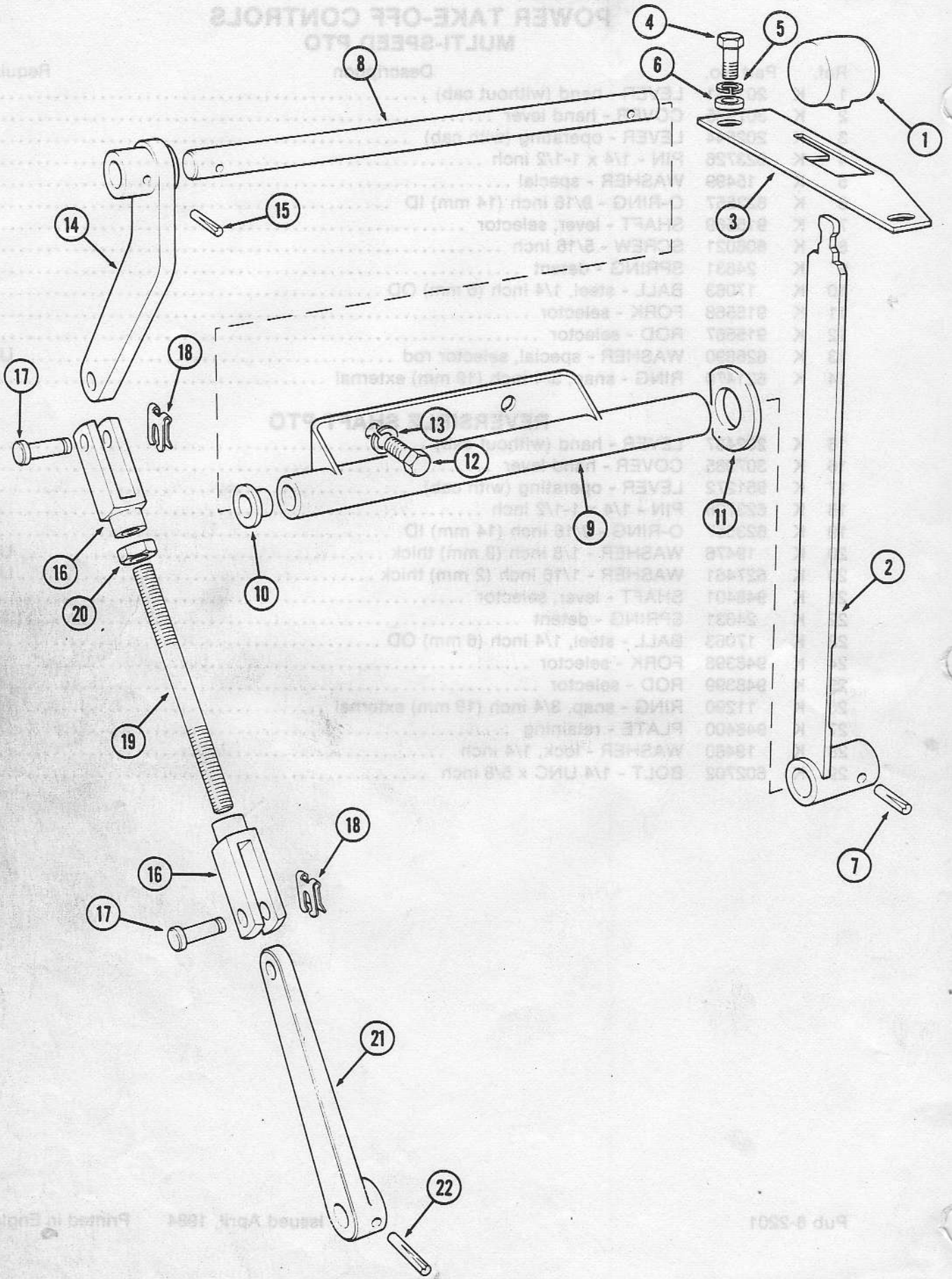
POWER TAKE-OFF CONTROLS MULTI-SPEED PTO

Ref.	Part No.	Description	Required
1	K 201931	LEVER - hand (without cab)	1
2	K 307985	COVER - hand lever	1
3	K 202544	LEVER - operating (with cab)	1
4	K 623726	PIN - 1/4 x 1-1/2 inch	1
5	K 15499	WASHER - special	3
6	K 623557	O-RING - 9/16 inch (14 mm) ID	1
7	K 915569	SHAFT - lever, selector	1
8	K 606021	SCREW - 5/16 inch	1
9	K 24831	SPRING - detent	1
10	K 17063	BALL - steel, 1/4 inch (6 mm) OD	1
11	K 915568	FORK - selector	1
12	K 915567	ROD - selector	1
13	K 626890	WASHER - special, selector rod	UAR
14	K 621470	RING - snap, 3/4 inch (19 mm) external	1

REVERSIBLE SHAFT PTO

15	K 202487	LEVER - hand (without cab)	1
16	K 307985	COVER - hand lever	1
17	K 951272	LEVER - operating (with cab)	1
18	K 623726	PIN - 1/4 x 1-1/2 inch	1
19	K 623557	O-RING - 9/16 inch (14 mm) ID	1
20	K 19476	WASHER - 1/8 inch (3 mm) thick	UAR
20	K 627461	WASHER - 1/16 inch (2 mm) thick	UAR
21	K 948401	SHAFT - lever, selector	1
22	K 24831	SPRING - detent	1
23	K 17063	BALL - steel, 1/4 inch (6 mm) OD	1
24	K 948398	FORK - selector	1
25	K 948399	ROD - selector	1
26	K 11290	RING - snap, 3/4 inch (19 mm) external	1
27	K 948400	PLATE - retaining	1
28	K 19480	WASHER - lock, 1/4 inch	2
29	K 602702	BOLT - 1/4 UNC x 5/8 inch	2

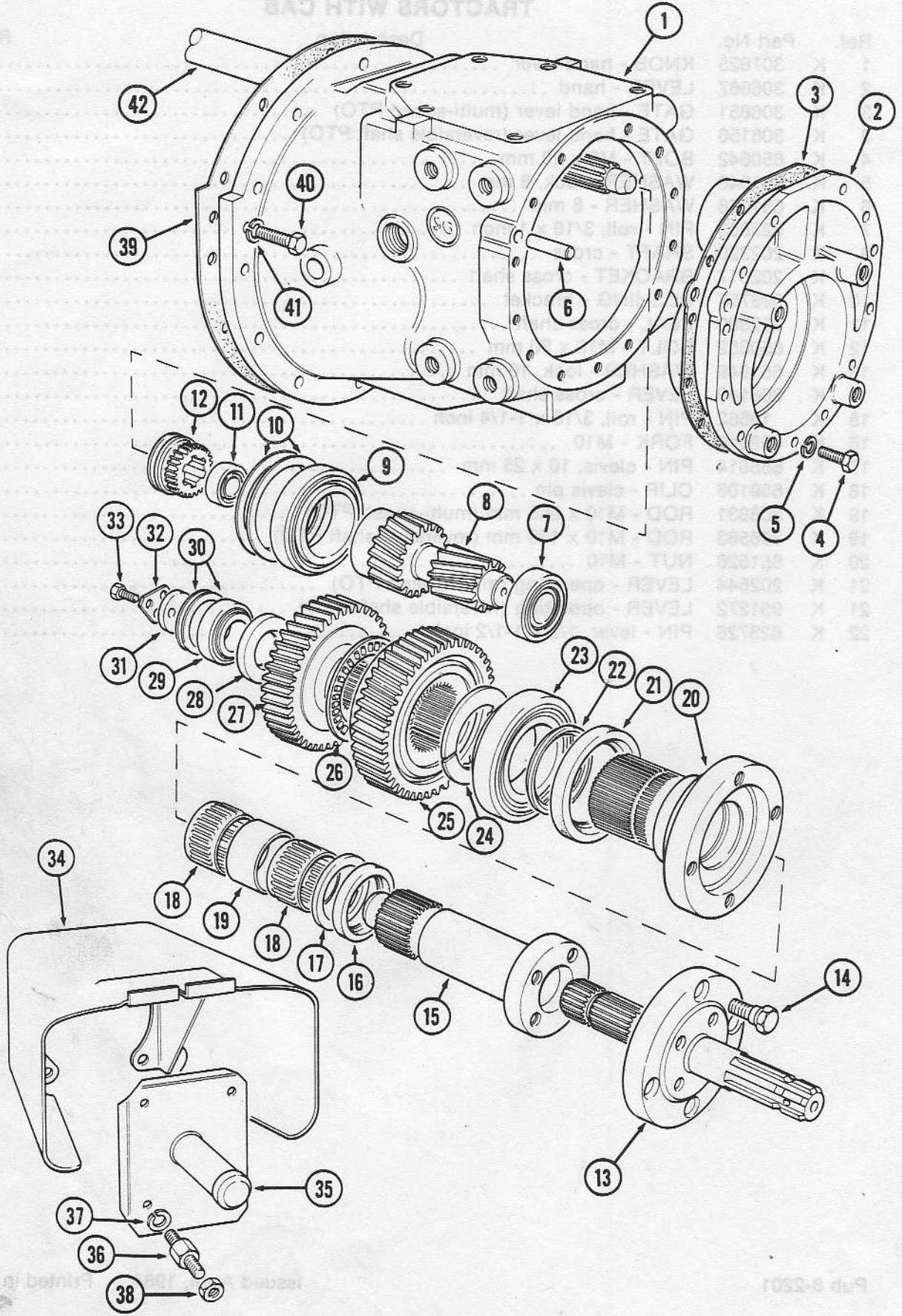
TRACTOR
POWER TAKE-OFF CONTROLS
MULTI-SPEED PTO



POWER TAKE-OFF CONTROL LEVER TRACTORS WITH CAB

Ref.	Part No.	Description	Required
1	K 307625	KNOB - hand lever	1
2	K 306667	LEVER - hand	1
3	K 306851	GATE - hand lever (multi-speed PTO)	1
3	K 306156	GATE - hand lever (reversible shaft PTO)	1
4	K 650642	BOLT - M8 x 20 mm	2
5	K 651848	WASHER - lock, 8 mm	2
6	K 651778	WASHER - 8 mm	2
7	K 623883	PIN - roll, 3/16 x 1 inch	1
8	K 202320	SHAFT - cross	1
9	K 202317	BRACKET - cross shaft	1
10	K 628757	BUSHING - bracket	2
11	K 952800	SEAL - cross shaft	1
12	K 650659	BOLT - M10 x 20 mm	3
13	K 651849	WASHER - lock, 10 mm	3
14	K 306140	LEVER - cross shaft	1
15	K 19562	PIN - roll, 3/16 x 1-1/4 inch	1
16	K 659010	FORK - M10	2
17	K 658614	PIN - clevis, 10 x 25 mm	2
18	K 659106	CLIP - clevis pin	2
19	K 306831	ROD - M10 x 265 mm (multi-speed PTO)	1
19	K 306563	ROD - M10 x 150 mm (reversible shaft PTO)	1
20	K 651528	NUT - M10	2
21	K 202544	LEVER - operating (multi-speed PTO)	1
21	K 951272	LEVER - operating (reversible shaft PTO)	1
22	K 623726	PIN - lever, 1/2 x 1-1/2 inch	1

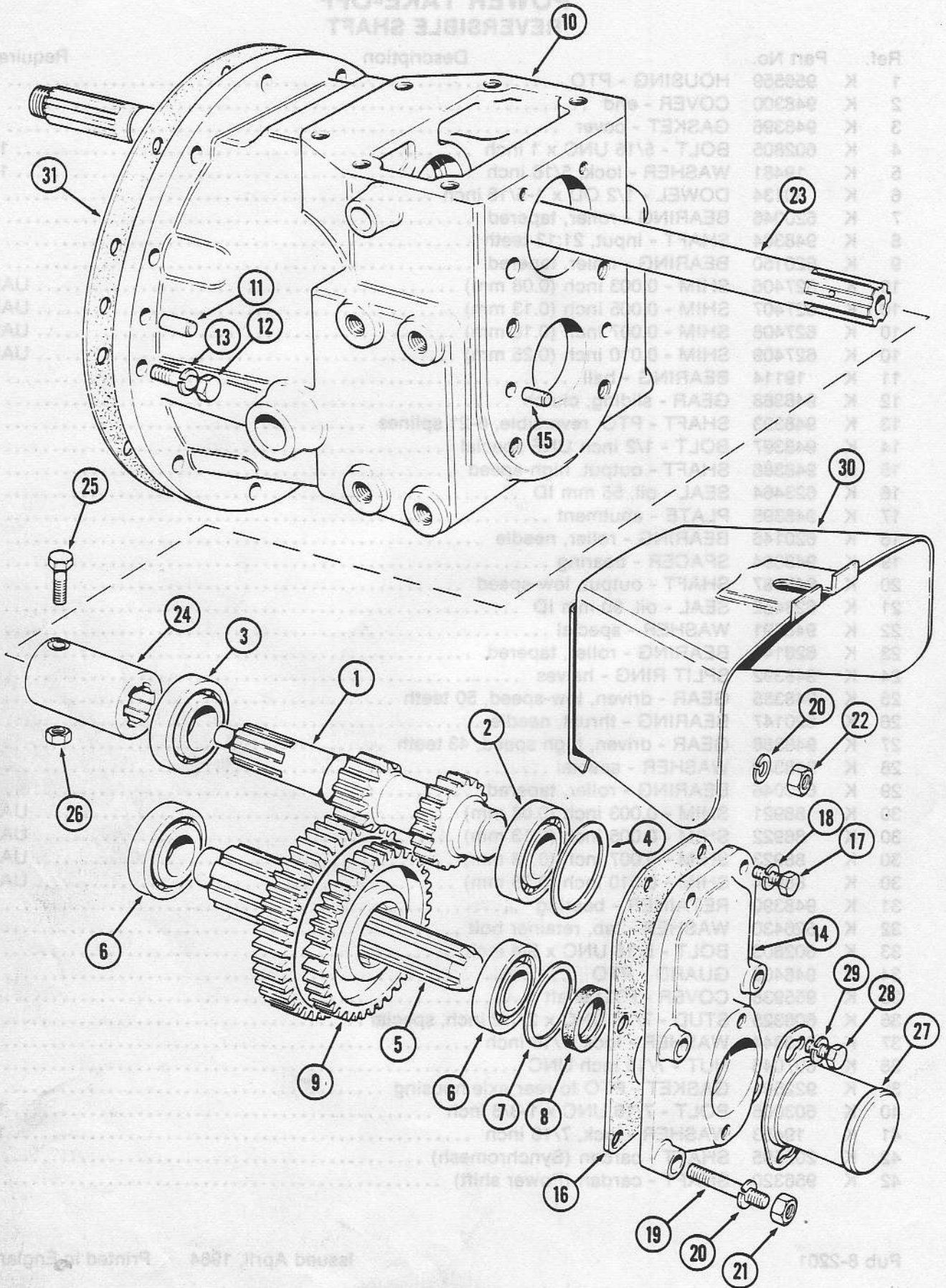
1952 TRACTOR
POWER TAKE-OFF CONTROL LEVER
TRACTORS WITH CAB



POWER TAKE-OFF REVERSIBLE SHAFT

Ref.	Part No.	Description	Required
1	K 956559	HOUSING - PTO	1
2	K 948300	COVER - end	1
3	K 948396	GASKET - cover	1
4	K 602805	BOLT - 5/16 UNC x 1 inch	13
5	K 19481	WASHER - lock, 5/16 inch	13
6	K 30134	DOWEL - 1/2 OD x 1-5/16 inch	1
7	K 620046	BEARING - roller, tapered	1
8	K 948384	SHAFT - input, 21:13 teeth	1
9	K 620150	BEARING - roller, tapered	1
10	K 627406	SHIM - 0.003 inch (0.08 mm)	UAR
10	K 627407	SHIM - 0.005 inch (0.13 mm)	UAR
10	K 627408	SHIM - 0.007 inch (0.18 mm)	UAR
10	K 627409	SHIM - 0.010 inch (0.25 mm)	UAR
11	K 19114	BEARING - ball	1
12	K 946388	GEAR - sliding, clutch	1
13	K 948393	SHAFT - PTO, reversible, 6-21 splines	1
14	K 948397	BOLT - 1/2 inch UNF special	4
15	K 948388	SHAFT - output, high-speed	1
16	K 623464	SEAL - oil, 55 mm ID	1
17	K 948395	PLATE - abutment	1
18	K 620146	BEARING - roller, needle	2
19	K 948394	SPACER - bearing	1
20	K 948387	SHAFT - output, low-speed	1
21	K 623452	SEAL - oil, 90 mm ID	1
22	K 948391	WASHER - special	1
23	K 620145	BEARING - roller, tapered	1
24	K 948392	SPLIT RING - halves	2
25	K 948385	GEAR - driven, low-speed, 50 teeth	1
26	K 620147	BEARING - thrust, needle	1
27	K 948386	GEAR - driven, high speed, 43 teeth	1
28	K 948389	WASHER - special	1
29	K 620046	BEARING - roller, tapered	1
30	K 88921	SHIM - 0.003 inch (0.08 mm)	UAR
30	K 88922	SHIM - 0.005 inch (0.13 mm)	UAR
30	K 88923	SHIM - 0.007 inch (0.18 mm)	UAR
30	K 88924	SHIM - 0.010 inch (0.25 mm)	UAR
31	K 948390	RETAINER - bearing	1
32	K 626430	WASHER - tab, retainer bolt	1
33	K 602803	BOLT - 5/16 UNC x 3/4 inch	3
34	K 948409	GUARD - PTO	1
35	K 955938	COVER - PTO shaft	1
36	K 608325	STUD - 7/16 UNC x 2-1/2 inch, special	4
37	K 626344	WASHER - lock, 7/16 inch	4
38	K 607046	NUT - 7/16 inch UNC	4
39	K 922591	GASKET - PTO to rear axle housing	1
40	K 603006	BOLT - 7/16 UNC x 1-3/8 inch	12
41	K 19483	WASHER - lock, 7/16 inch	12
42	K 205595	SHAFT - cardan (Synchromesh)	1
42	K 956320	SHAFT - cardan (Power shift)	1

POWER TAKE-OFF
REVERSIBLE SHAFT



POWER TAKE-OFF MULTI-SPEED

Ref.	Part No.	Description	Required
1	K 202431	SHAFT - drive, multi-speed PTO	1
2	K 690766	BEARING - roller, tapered	1
3	K 620046	BEARING - roller, tapered	1
4	K 626976	SHIM - 0.003 inch (0.08 mm)	UAR
4	K 626977	SHIM - 0.005 inch (0.13 mm)	UAR
4	K 626978	SHIM - 0.007 inch (0.18 mm)	UAR
4	K 626979	SHIM - 0.010 inch (0.25 mm)	UAR
4	K 626980	SHIM - 0.028 inch (0.71 mm)	UAR
5	K 915562	SHAFT - driven	1
6	K 620046	BEARING - roller, tapered	2
7	K 915557	SHIM - 0.002 inch (0.05 mm)	UAR
7	K 915558	SHIM - 0.003 inch (0.08 mm)	UAR
7	K 915559	SHIM - 0.005 inch (0.13 mm)	UAR
7	K 915560	SHIM - 0.010 inch (0.25 mm)	UAR
7	K 915561	SHIM - 0.028 inch (0.71 mm)	UAR
8	K 15177	SEAL - oil	1
9	K 202432	GEAR - 38:44 teeth	1
10	K 948930	HOUSING - PTO	1
11	K 61412	DOWEL - 7/16 x 1-1/4 inch	1
12	K 603006	BOLT - 7/16 UNC x 1-3/8 inch	12
13	K 19483	WASHER - lock, 7/16 inch	12
14	K 915595	COVER - end	1
15	K 14577	DOWEL - 1/4 x 9/16 inch	2
16	K 924217	GASKET - end cover	1
17	K 602805	BOLT - 5/16 UNC x 1 inch	2
18	K 19481	WASHER - lock, 5/16 inch	2
19	K 608311	STUD - 7/16 UNC x 2-5/16 inch	4
20	K 19483	WASHER - lock, 7/16 inch	4
21	K 607003	NUT - 7/16 inch UNC	4
22	K 607046	NUT - 7/16 inch UNC	4
23	K 205594	SHAFT - cardan (Synchromesh)	1
23	K 915583	SHAFT - cardan (Power shift)	1
24	K 89181	COUPLING - shaft	1
25	K 600009	BOLT - 1/4 UNC x 1-7/8 inch	1
26	K 607440	NUT - self-locking , 1/4 inch UNC	1
27	K 909111	COVER - PTO shaft	1
28	K 602840	BOLT - 5/16 UNC x 1/2 inch	2
29	K 626682	WASHER - 5/16 inch	2
30	K 906893	GUARD - PTO	1
31	K 922591	GASKET - PTO housing	1

POWER TAKE-OFF
MULTI-SPEED

Part No.	Description	Required
302431	SHAFT - drive, multi-speed PTO	1
820785	BEARING - roller, tapered	2
820048	BEARING - roller, tapered	2
828878	SHIM - 0.003 inch (0.08 mm)	4
828877	SHIM - 0.005 inch (0.13 mm)	4
828876	SHIM - 0.007 inch (0.18 mm)	4
828879	SHIM - 0.010 inch (0.25 mm)	4
828880	SHIM - 0.028 inch (0.71 mm)	4
915582	SHAFT - driven	2
820048	BEARING - roller, tapered	8
915577	SHIM - 0.002 inch (0.05 mm)	7
915588	SHIM - 0.003 inch (0.08 mm)	7
915589	SHIM - 0.005 inch (0.13 mm)	7
915590	SHIM - 0.010 inch (0.25 mm)	7
915591	SHIM - 0.028 inch (0.71 mm)	7
187177	GEAL - oil	8
202432	GEAR - 38:44 teeth	8
915592	HOUSING - PTO	10
81412	DOWEL - 3/16 x 1-1/4 inch	11
803008	BOLT - 1/2 UNC x 1-5/8 inch	12
19483	WASHER - lock, 1/2 inch	13
915593	COVER - end	14
187177	DOWEL - 3/16 x 5/8 inch	15
828217	GASKET - end cover	16
802805	BOLT - 5/16 UNC x 1 inch	17
19481	WASHER - lock, 5/16 inch	18
802811	STUD - 1/2 UNC x 2-5/16 inch	19
19482	WASHER - lock, 1/2 inch	20
807008	NUT - 1/2 inch UNC	21
807009	NUT - 1/2 inch UNC	22
202884	SHAFT - output (synchronizer)	23
915583	SHAFT - output (power shaft)	24
88181	COUPLING - shaft	24
800008	BOLT - 1/4 UNC x 1-7/8 inch	25
807440	NUT - self-locking, 1/4 inch UNC	26
809111	COVER - PTO shaft	27
802840	BOLT - 5/16 UNC x 1/2 inch	28
828882	WASHER - 5/16 inch	29
802883	GUARD - PTO	30
822591	GASKET - PTO housing	31