

Catalogo parti di ricambio
Spare parts catalogue
Catalogue pieces de rechange
Ersatzteilliste

RF80 RF81 RF90 RF91
RF120 RF121 RF140



TAVOLA/TABLE

1 BASAMENTO
CRANKCASE
CARTER MOTEUR
KURBELGEHÄUSE

2 MANOVELLISMO
CRANK MECHANISM
EQUIPAGE MOBILE
KURBELGETRIEBE

3 REGOLATORE GIRI
GOVERNOR
REGULATEUR DE TOURS
REGLER

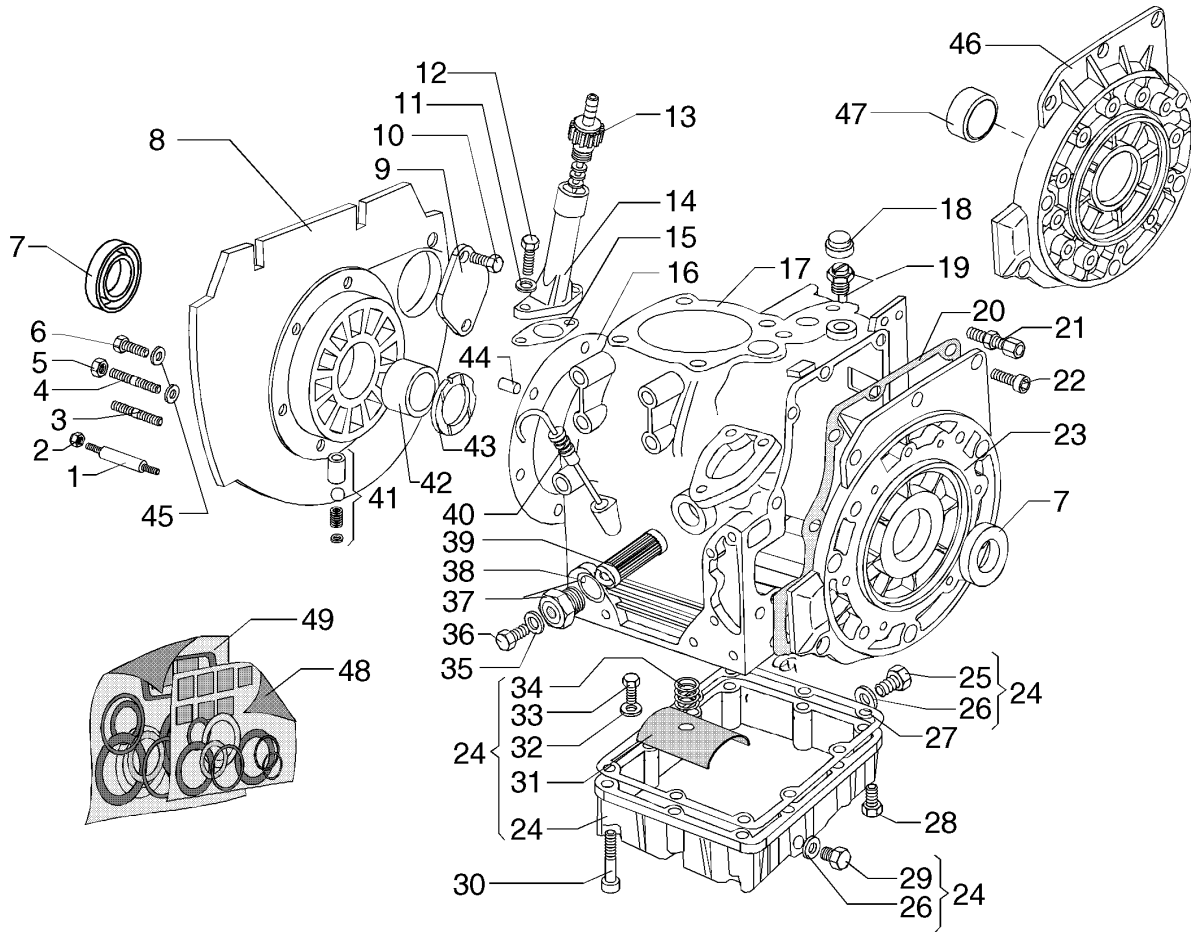
4 TESTA CILINDRO
CYLINDER HEAD - CYLINDER
CULASSE - ZYLINDER
ZYLINDERKOPF - ZYLINDER

5 POMPA INIEZIONE E INIETTORE
INJECTION PUMP AND INJECTOR
POMPE A INJECTION-PORTE INJECTEUR
EINSPRITZPUMPE UND EINSPRITZDÜSE

6 RAFFREDDAMENTO
COOLING
REFROIDISSEMENT
LUFTKÜHLUNG

7 AVVIAMENTO ELETTRICO
ELECTRICAL STARTING
DEMARRAGE ELECTRIQUE
ELEKTRISCHER ANLASSER

8 ACCESSORI
ACCESSORIES
ACCESSOIRES
ZUBEHÖR



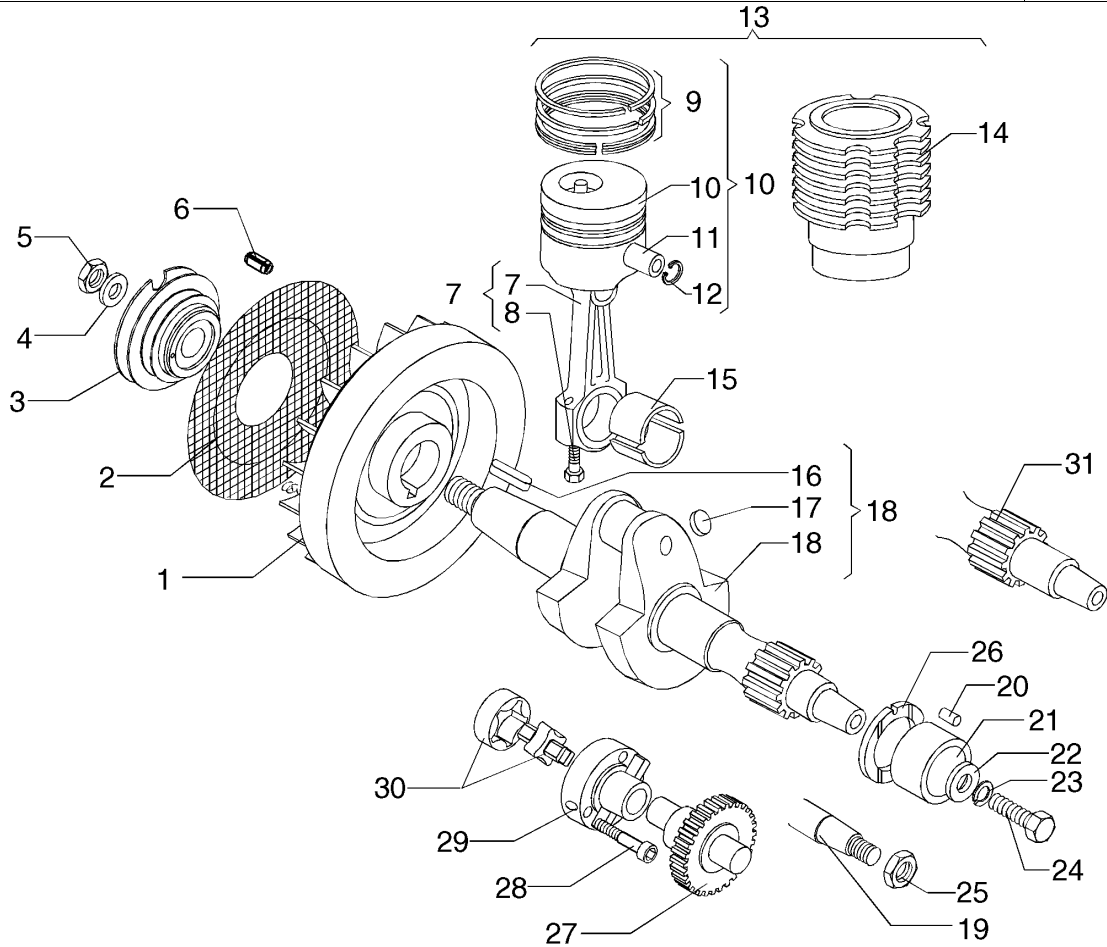
Nr. No.	OLD CODE	NEW CODE	RF80	RF90	RF120	RF140	DENOMINAZIONE - DESCRIPTION - DENOMINATION - BENENNUNG				
			RF81	RF91	RF121	RF141					
			Q.ty	Q.ty	Q.ty	Q.ty					
	C2579	00C25R0790	—	1	—	—	Short block serie BR10	Short block	Short block	Short block	Short block
	C2503	00C25R0030	—	—	1	—	Short block serie BR10 /RF120-121	Short block	Short block	Short block	Short block
	C2580	00C25R0800	—	—	—	1	Short block serie BR10	Short block	Short block	Short block	Short block
1	35536	00355R0360	2	2	—	—	Distanziale per convogl.aria	Spacer	Entretoise	Distanzstück	Distanzstück
	35525	00355R0250	—	—	2	2	Distanziale per convogl.aria	Spacer	Entretoise	Distanzstück	Distanzstück
2	32351	00323R0510	2	2	2	2	Dado autobloccante M.6 H.7,6	Nut	Ecrou	Mutter	Mutter
3	67670	00676R0700	—	—	—	4	Prigioniero M.8x20	Stud	Goujon	Stiftschraube	Stiftschraube
4	67602	00676R0020	—	—	—	2	Prigioniero M.8x20	Stud	Goujon	Stiftschraube	Stiftschraube
5	32303	00323R0030	—	—	—	6	Dado M.8 H.8	Nut	Ecrou	Mutter	Mutter
6	99301	0017700060	6	6	6	—	Vite M.8x25	Capscrew	Vis	Schraube	Schraube
7	2118	0021180000	1	1	1	1	Serie anelli tenuta olio	Oil seal	Bague étanchèite	Dichtring	Dichtring
8	88128	00881R0280	1	1	—	—	Supporto di banco	Support	Support	Lager	Lager
	87889	00878R0890	—	—	—	1	Supporto di banco	Support	Support	Lager	Lager
	87855	00878R0550	—	—	—	1	Supporto di banco avv.el.	Support	Support	Lager	Lager
9	23101	00231R0010	—	—	—	1	Coperchio sede motorino avviam.	Cover	Couvercle	Deckel	Deckel
10	99318	0017800300	—	—	—	2	Vite vte M.10x20	Capscrew	Vis	Schraube	Schraube
11	77111	00771R0110	2	2	2	2	Rondella piana D.8,4x15 sp.1,5	Washer	Rondelle	Unterlegscheibe	Unterlegscheibe
12	99316	0017700040	2	2	2	2	Vite M.8x20	Capscrew	Vis	Schraube	Schraube
13	90224	00902R0240	1	1	1	1	Tappo sfiato	Breather plug	Bouchon reniflard	Entlüftungsverschl.	Entlüftungsverschl.
14	21912	00219R0120	1	1	1	1	Colonna sfiatatoio	Hollow stud	Colonnette	Stehbolzen	Stehbolzen
15	44782	00447R0820	1	1	1	1	Guarnizione colonna sfiatatoio	Gasket	Joint	Dichtung	Dichtung
16	44869	00448R0690	1	1	1	1	Guarnizione supp.di banco sp.0.1	Gasket	Joint	Dichtung	Dichtung
	44867	00448R0670	1	1	1	1	Guarnizione supp.di banco sp.0.2	Gasket	Joint	Dichtung	Dichtung
	44774	00447R0740	1	1	1	1	Guarnizione supp.di banco sp.0.3	Gasket	Joint	Dichtung	Dichtung
17	16807	00168R0070	1	1	1	—	Carter motore	Crankcase	Carter moteur	Kurbelgehäuse	Kurbelgehäuse
	16811	00168R0110	—	—	—	1	Carter motore	Crankcase	Carter moteur	Kurbelgehäuse	Kurbelgehäuse
18	88650	00886R0500	1	1	1	1	Tappo dado supplemento	Plug	Bouchon	Verschluß	Verschluß
19	72215	00722R0150	1	1	1	1	Registro nafta eccent.	Adjusting screw	Vis réglage	Einstellschraube	Einstellschraube
20	44775	00447R0750	8	1	1	1	Guarnizione coperchio distribuz.	Gasket	Joint	Dichtung	Dichtung
21	72203	00722R0030	2	2	2	2	Registro tendi filo	Setscrew	Vis réglage	Einstellschraube	Einstellschraube
22	99244	00992R0440	8	8	8	8	Vite vtcei M.8x28	Screw	Vis	Schraube	Schraube



**BASAMENTO - CRANKCASE
CARTER MOTEUR - KURBELGEHÄUSE**

CATALOGO RICAMBI SPARE PARTS		
TAVOLA TABLE	1	2
DATA DATE	06/2001	

Nr. No.	OLD CODE	NEW CODE	RF80	RF90	RF120	RF140	DENOMINAZIONE - DESCRIPTION - DENOMINATION - BENENNUNG			
			RF81 Q.ty	RF91 Q.ty	RF121 Q.ty	Q.ty				
23	24096	00240R0960	1	1	1	—	Coperchio distribuzione	Cover	Couvercle	Deckel
	24015	00240R0150	—	—	—	1	Coperchio distribuzione	Cover	Couvercle	Deckel
24	2124	0021240000	1	1	1	1	Coppa olio	Oil sump	Carter huile	Ölwanne
25	89403	0089650050	—	1	1	1	Tappo filettato M.14x1,5 L.15	Threaded plug	Bouchon fileté	Verschlußschraube
26	75401	00754R0010	1	1	1	1	Rondella allum.D.14,2x20 sp.1,5	Washer	Rondelle	Unterlegscheibe
27	44776	00447R0760	1	1	1	1	Guarnizione coppa olio	Gasket	Joint	Dichtung
28	99310	0017600060	4	—	—	—	Vite vte M.6x20	Screw	Vis	Schraube
29	89403	0089650050	—	1	1	1	Tappo filettato M.14x1,5 L.15	Threaded plug	Bouchon fileté	Verschlußschraube
30	99511	0017600150	6	10	10	10	Vite vte M.6x45	Screw	Vis	Schraube
31	73435	00734R0350	1	1	1	1	Rete filtro olio	Net	Grille	Netz
32	77107	00771R0070	1	—	—	—	Rondella piana D.6.6x24 sp.2	Washer	Rondelle	Unterlegscheibe
33	99339	0017600320	1	—	—	—	Vite vte M.6x14	Capscrew	Vis	Schraube
34	54025	00540R0250	—	1	1	1	Molla fermo rete filtro olio	Spring	Ressort	Feder
35	75402	00754R0020	1	1	1	1	Rondella rame D.8,2x12 sp.1	Washer	Rondelle	Unterlegscheibe
36	99516	00995R0160	1	1	1	1	Vite vte M.8x1x10	Capscrew	Vis	Schraube
37	A2144	00A21R0440	1	1	1	1	Tappo sede filtro olio allum.	Plug	Bouchon	Verschluß
38	57972	00579R0720	1	1	1	1	OR 3112 D.28.25 Sez.2.62	O-ring	Joint torique	O-Ring
39	17505	0021751950	1	1	1	1	Cartuccia filtro olio interna	Filter Element	Cartouche Filtrante	Filtereinsatz
40	07604	00076R0670	1	1	1	1	Asta livello olio	Oil dipstick	Jauge huile	Meßstad
41	95601	00956R0010	1	1	1	1	Valvola by-pass completa	By-pass	Soupape by-pass	Ventil
42	31101	00311R0010	2	2	2	2	Cuscinetto di banco STD	Main bearing	Coussinet de banc	Hauptlager
	31105	00311R0050	2	2	2	2	Cuscinetto di banco -0.25 mm	Main bearing	Coussinet de banc	Hauptlager
	31106	00311R0060	2	2	2	2	Cuscinetto di banco -0.50 mm	Main bearing	Coussinet de banc	Hauptlager
43	06039	00060R0390	2	2	2	2	Anello di spallamento	Ring	Bague	Ring
44	85010	0084300610	2	2	2	2	Spina elastica D.4x14	Taper pin	Goupille	Kegelstift
45	77109	00771R0090	6	6	6	6	Rondella piana D.8,4x17 sp.1,6	Washer	Rondelle	Unterlegscheibe
46	24028	00240R0280	—	1	1	1	Coperchio distrib.per cuscinetto	Cover for bearing	Couvercle pour coussine	Dektel
47	31065	00310R0650	—	1	1	1	Cuscinetto di banco	Main bearing	Coussinet de banc	Hauptlager
48	2856	0028560000	1	—	—	—	Serie guarnizioni smeriglio	Complete gasket set	Joint	Dichtung
	2394	0023940000	—	1	1	—	Serie guarnizioni smeriglio	Complete gasket set	Joint	Dichtung
	2483	0024830000	—	—	—	1	Serie guarnizioni smeriglio	Complete gasket set	Joint	Dichtung
	2329	0023290000	1	—	—	—	Serie guarnizioni completa	Overhaul gasket set	Joint	Dichtung
49	2140	0021400000	—	1	1	—	Serie guarnizioni completa	Overhaul gasket set	Joint	Dichtung
	2482	0024820000	—	—	—	1	Serie guarnizioni completa	Overhaul gasket set	Joint	Dichtung



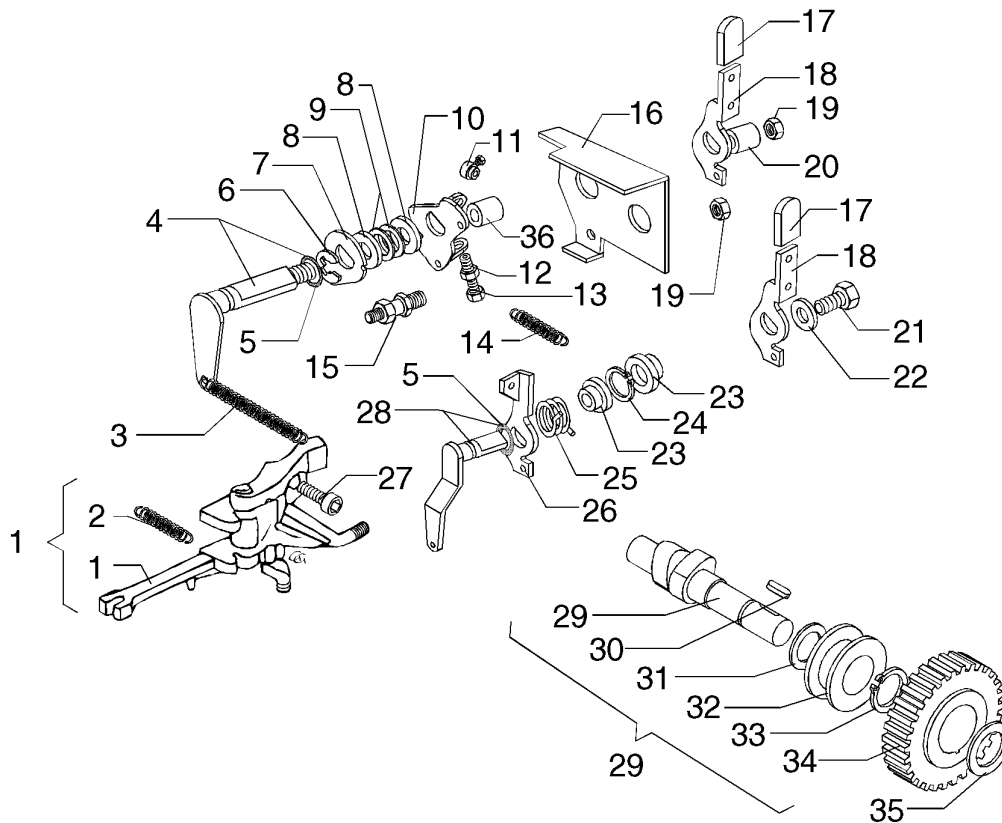
Nr. No.	OLD CODE	NEW CODE	RF80	RF90	RF120	RF140	DENOMINAZIONE - DESCRIPTION - DENOMINATION - BENENNUNG			
			RF81	RF91	RF121	RF141				
			Q.ty	Q.ty	Q.ty	Q.ty				
1	97872	00978R0720	1	1	—	—	Volano ventilatore	Flyweel	Volant	Schwungrad
	97771	00977R0710	—	—	1	1	Volano ventilatore	Flyweel	Volant	Schwungrad
2	73471	00734R0710	1	1	—	—	Rete volano	Net	Grille	Netz
	73452	00734R0520	—	—	1	1	Rete volano	Net	Grille	Netz
3	69632	00696R0320	1	—	—	—	Puleggia avviamento	Starting pulley	Poulie lancement	Anwerfscheibe
	69678	00696R0780	—	1	—	—	Puleggia avviamento	Pulley	Poulie	Riemenscheibe
	69654	00696R0540	—	—	1	1	Puleggia avviamento	Starting pulley	Poulie lancement	Anwerfscheibe
4	77128	00771R0280	1	1	1	1	Rondella piana D.23x40 sp.4	Washer	Rondelle	Unterlegscheibe
5	32584	00325R0840	1	1	1	1	Dado M.22x1.5 H.13	Nut	Ecrou	Mutter
6	85031	00850R0310	1	1	1	1	Spina elastica D.6x16	Taper pin	Goupille	Kegelstift
7	10036	00100R0360	1	1	—	—	Biella completa	Connecting rod	Bielle	Pleuelstange
	10023	00100R0230	—	—	1	1	Biella completa	Connecting rod	Bielle	Pleuelstange
8	98960	00989R0600	2	2	—	—	Vite biella	Capscrew	Vis	Schraube
	98922	00989R0220	—	—	2	2	Vite biella	Screw	Vis	Schraube
9	2340	0023400000	1	—	—	—	Serie segmenti d.80 STD (n.3)	Piston ring set	Série segments	Kolbenringsatz
	2341	0023410000	1	—	—	—	Serie segmenti d.80 +0.5 (n.3)	Piston ring set	Série segments	Kolbenringsatz
	2342	0023420000	1	—	—	—	Serie segmenti d.81 +1.0 (n.3)	Piston ring set	Série segments	Kolbenringsatz
	A2157	00A21R0570	—	1	—	—	Serie segmenti d.90 (n.3) STD	Piston ring set	Série segments	Kolbenringsatz
	A2158	00A21R0580	—	1	—	—	Serie segmenti d.90 +0.5 (n.3)	Piston ring set	Série segments	Kolbenringsatz
	A2159	00A21R0590	—	1	—	—	Serie segmenti d.90 +1.0 (n.3)	Piston ring set	Série segments	Kolbenringsatz
	2149	0021490000	—	—	1	—	Serie segmenti STD (n.4)	Piston ring set	Série segments	Kolbenringsatz
	2150	0021500000	—	—	1	—	Serie segmenti +0.5 mm (n.4)	Piston ring set	Série segments	Kolbenringsatz
	2151	0021510000	—	—	1	—	Serie segmenti +1.0 (n.4)	Piston ring set	Série segments	Kolbenringsatz
	2495	0024950000	—	—	—	1	Serie segmenti d.95 STD (n.3)	Piston ring set	Série segments	Kolbenringsatz
10	2496	0024960000	—	—	—	1	Serie segmenti d.95 +0.5 (n.3)	Piston ring set	Série segments	Kolbenringsatz
	2497	0024970000	—	—	—	1	Serie segmenti d.95 +1,0 (n.3)	Piston ring set	Série segments	Kolbenringsatz
	A2077	00A20R0770	1	—	—	—	Pistone STD	Piston	Piston	Kolben
	A2078	00A20R0780	1	—	—	—	Pistone +0.5 mm	Piston	Piston	Kolben
	A2079	00A20R0790	—	—	—	—	Pistone +1.0 mm	Piston	Piston	Kolben
	A2153	00A21R0530	1	1	—	—	Pistone STD	Piston	Piston	Kolben
	A2154	00A21R0540	1	1	—	—	Pistone +0.5 mm	Piston	Piston	Kolben



**MANOVELLISMO - CRANK MECHANISM
EQUIPAGE MOBILE - KURBELGETRIEBE**

CATALOGO RICAMBI SPARE PARTS		
TAVOLA TABLE	2	2
DATA DATE	06/2001	

Nr. No.	OLD CODE	NEW CODE	RF80	RF90	RF120	RF140	DENOMINAZIONE - DESCRIPTION - DENOMINATION - BENENNUNG				
			RF81 Q.ty	RF91 Q.ty	RF121 Q.ty	RF140 Q.ty					
10	A2155	00A21R0550	—	1	—	—	Pistone +1.0 mm	Piston	Piston	Kolben	
	A2099	00A20R0990	—	—	1	—	Pistone STD	Piston	Piston	Kolben	
	A2100	00A21R0000	—	—	1	—	Pistone +0.5 mm	Piston	Piston	Kolben	
	A2101	00A21R0010	—	—	1	—	Pistone +1.0 mm	Piston	Piston	Kolben	
	A2107	00A21R0070	—	—	—	1	Pistone STD	Piston	Piston	Kolben	
	A2108	00A21R0080	—	—	—	1	Pistone +0.5 mm	Piston	Piston	Kolben	
	A2109	00A21R0090	—	—	—	1	Pistone +1.0 mm	Piston	Piston	Kolben	
	11	85412	00854R0120	1	—	—	—	Spinotto ø22x67,5 foro 12	Piston pin	Axe du piston	Kolbenbolzen
		85417	00854R0170	—	1	—	—	Spinotto ø22x64 foro 12	Piston pin	Axe du piston	Kolbenbolzen
85411		00854R0110	—	—	1	1	Spinotto d.25 I.74	Piston pin	Axe du piston	Kolbenbolzen	
12	05011	0012410020	2	—	—	—	Anello seeger	Snap ring	Circlip	Sicherungsring	
	05981	00059R0810	—	2	—	—	Anello fermo spinotto ø25	Ring	Bague	Ring	
	05006	0012400220	—	—	2	2	Anello seeger	Snap ring	Circlip	Sicherungsring	
13	A2391	00A23R0910	1	—	—	—	Kit cilindro-pistone	Cylinder-piston	Cylindre-piston	Zylinder-kolben	
	A2392	00A23R0920	—	1	—	—	Kit cilindro-pistone	Cylinder-piston	Cylindre-piston	Zylinder-kolben	
	A2394	00A23R0940	—	—	1	—	Kit cilindro-pistone	Cylinder-piston	Cylindre-piston	Zylinder-kolben	
	A2403	00A24R0030	—	—	—	1	Kit cilindro-pistone	Cylinder-piston	Cylindre-piston	Zylinder-kolben	
14	20319	00203R0190	1	—	—	—	Cilindro	Cylinder	Cylindre	Zylinder	
	20371	00203R0710	—	1	—	—	Cilindro	Cylinder	Cylindre	Zylinder	
	20312	00203R0120	—	—	1	—	Cilindro d.90	Cylinder	Cylindre	Zylinder	
	20342	00203R0420	—	—	—	1	Cilindro	Cylinder	Cylindre	Zylinder	
15	A2639	00A26R0390	1	1	—	—	Cuscinetto di biella STD	Bearing	Coussinet	Lager	
	31662	00A26R0440	1	1	—	—	Cuscinetto di biella -0.25 mm	Bearing	Coussinet	Lager	
	31663	00A26R0450	1	1	—	—	Cuscinetto di biella -0.50 mm	Bearing	Coussinet	Lager	
	31664	00316R0640	1	1	—	—	Cuscinetto di biella -0.75 mm	Bearing	Coussinet	Lager	
	31670	00A26R0380	—	—	1	1	Cuscinetto di biella STD	Bearing	Coussinet	Lager	
	31672	00A26R0420	—	—	1	1	Cuscinetto di biella -0.25 mm	Bearing	Coussinet	Lager	
	31673	00A26R0430	—	—	1	1	Cuscinetto di biella -0.50 mm	Bearing	Coussinet	Lager	
16	49803	00498R0030	1	1	1	1	Linguetta 8x7x30	Key	Clavette	Keil	
17	88604	00886R0040	1	1	1	1	Tappo foro perno di manovella	Plug	Bouchon	Verschluß	
18	2912	0029120000	1	1	—	—	Albero a gomito	Crankshaft	Vilebrequin	Kurbelwelle	
	2116	0021160000	—	—	—	1	Albero a gomito	Crankshaft	Vilebrequin	Kurbelwelle	
19	2955	0029550000	—	—	1	—	Albero a gomito	Crankshaft	Vilebrequin	Kurbelwelle	
20	85010	0084300610	2	2	2	2	Spina elastica D.4x14	Taper pin	Goupille	Kegelstift	
21	31101	00311R0010	2	2	2	2	Cuscinetto di banco STD	Main bearing	Coussinet de banc	Hauptlager	
	31105	00311R0050	2	2	2	2	Cuscinetto di banco -0.25 mm	Main bearing	Coussinet de banc	Hauptlager	
	31106	00311R0060	2	2	2	2	Cuscinetto di banco -0.50 mm	Main bearing	Coussinet de banc	Hauptlager	
22	76302	00763R0020	1	—	—	—	Rondella grower d.8 rinforzata	Washer	Rondelle	Unterlegscheibe	
23	77170	00771R0700	1	1	—	—	Rondella piana D.8.5x24 sp.4	Washer	Rondelle	Unterlegscheibe	
24	99301	0017700060	1	1	—	—	Vite M.8x25	Capscrew	Vis	Schraube	
25	32314	00323R0140	—	—	—	1	Dado M.22x1,5 H.10	Nut	Ecrou	Mutter	
	32335	00323R0350	—	—	1	—	Dado M.16x1,5 H.8	Nut	Ecrou	Mutter	
26	06039	00060R0390	2	2	2	2	Anello di spallamento	Ring	Bague	Ring	
27	46955	00470R0200	1	1	1	1	Ingranaggio camma iniez.antirot.	Gear	Engrenage	Zahnrad	
28	99219	00992R0190	3	3	3	3	Vite M.5x25	Capscrew	Vis	Schraube	
29	23118	00231R0180	1	1	1	1	Coperchio pompa olio	Cover	Couvercle	Deckel	
30	A2417	00A24R0170	1	1	1	1	Pompa olio completa	Lube oil pump	Pompe huile	Schmierölpumpe	
	C2798	00C27R0980	—	1	—	—	Albero a gomito per 3° supp.	Crankshaft	Vilebrequin	Kurbelwelle	
	A2054	00A20R0540	—	—	1	—	Albero a gomito per 3° supp.	Crankshaft	Vilebrequin	Kurbelwelle	
31	01314	00013R0140	—	—	—	1	Albero a gomito per 3° supp.	Crankshaft	Vilebrequin	Kurbelwelle	



Nr. No.	OLD CODE	NEW CODE	RF80 RF81 Q.ty	RF90 RF91 Q.ty	RF120 RF121 Q.ty	RF140 Q.ty	DENOMINAZIONE - DESCRIPTION - DENOMINATION - BENENNUNG			
1	49463	00494R0630	1	1	1	1	Leva regolatore a masse completa	Governor lever	Levier régulateur	Drehzahlverstellebel
2	55133	00551R0330	1	1	1	1	Molla regolatore	Governor spring	Ressort régulateur	Endregelfeder
3	55138	00551R0380	1	1	1	—	Molla regolatore a masse	Governor spring	Ressort régulateur	Endregelfeder
	55126	00551R0260	—	—	—	1	Molla regolatore a masse	Governor spring	Ressort régulateur	Endregelfeder
4	49432	00494R0320	1	1	1	1	Leva interna acceleratore compl.	Lever	Levier	Hebel
5	57901	00579R0010	2	2	2	2	Anello OR d.8.73 sez.1,78	O-ring	Joint torique	O-Ring
6	01601	00016R0010	1	1	1	1	Anello benzina D 8	Ring	Bague	Ring
7	60841	00608R0410	1	1	1	1	Piastrina fermo leva acceleratore	Safety plate	Arrêtoir	Sicherungsblech
8	74604	00746R0040	2	2	2	2	Rondella a tazza D.12.2x28 sp.2,	Washer	Rondelle	Unterlegscheibe
9	77704	00777R0040	2	2	2	2	Rondella ras.leva alzata valvola	Washer	Rondelle	Unterlegscheibe
10	49431	00494R0310	1	1	1	1	Leva esterna acceleratore compl.	Throttle lever	Levier accélérateur	Beschleunigungshebel
11	55905	00559R0050	1	1	1	1	Morsetto serrafilo	Terminal connector	Borne de connexion	Anschlussklemme
12	32308	0032400040	2	2	2	2	Dado	Nut	Ecrou	Mutter
13	99925	00999R0250	2	2	2	2	Vite vite M.5x25	Screw	Vis	Schraube
14	55121	00551R0210	1	1	1	1	Molla richiamo acceleratore	Spring	Ressort	Feder
15	67689	00676R0890	1	1	1	1	Prigion.fiss.coperc.scato.comandi	Stud	Goujon	Stiftschraube
16	23316	00233R0160	1	1	1	1	Coperchio scatola comandi	Cover	Couvercle	Deckel
17	15149	00151R0490	2	2	2	2	Cappellotto	Cap	Capuchon	Schutzkappe
18	49390	00493R0900	2	2	2	2	Leva esterna acceleratore stop	Throttle lever	Levier accélérateur	Beschleunigungshebel
19	32351	00323R0510	2	2	2	2	Dado autobloccante M.6 H.7,6	Nut	Ecrou	Mutter
20	35435	00354R0350	1	1	1	1	Distanziale su leva est.accel.	Spacer	Entretoise	Distanzstück
21	99312	0017600010	1	1	1	1	Vite vite M.6x10	Capscrew	Vis	Schraube
22	77105	00771R0050	1	1	1	1	Rondella piana D.6,4x12,5 sp.1,6	Washer	Rondelle	Unterlegscheibe
23	05976	00059R0760	1	2	2	1	Anello centraggio molla stop	Ring	Bague	Ring
24	04617	0012400040	1	1	1	1	Anello seeger esterno E.10	Snap ring	Circlip	Sicherungsring
25	54760	00547R0600	1	1	1	1	Molla richiamo leva stop	Spring	Ressort	Feder
	54759	00547R0590	1	1	1	1	Molla per Motorstop	Spring	Ressort	Feder
26	49419	00494R0190	1	1	1	1	Leva esterna stop corta	Lever	Levier	Hebel
27	99206	0097310220	2	2	2	2	Vite vite M.5x20	Capscrew	Vis	Schraube
28	49417	00494R0170	1	1	1	1	Leva interna stop completa	Lever	Levier	Hebel
29	A2202	00A22R0020	1	—	—	—	Albero a camme	Camshaft	Arbre cames	Nockenwelle
	A2094	00A20R0940	1	1	1	1	Albero a camme	Camshaft	Arbre cames	Nockenwelle



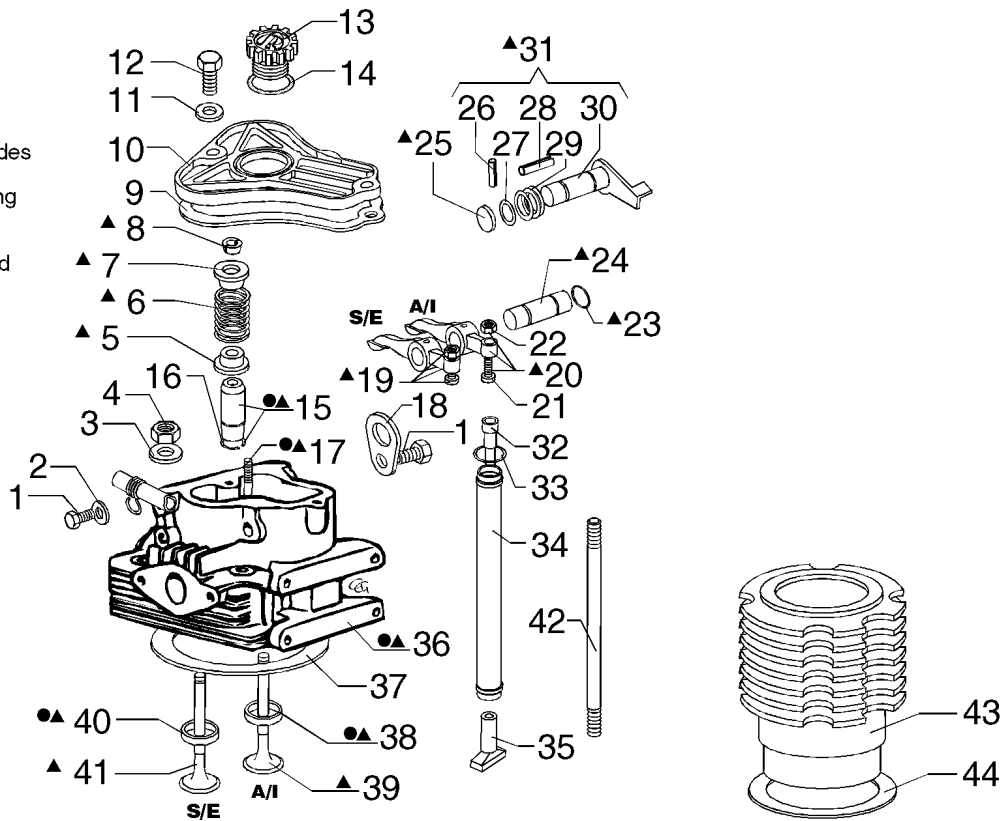
REGOLATORE DI GIRI - GOVERNOR
REGULATEUR DE TOURS - REGLER

CATALOGO RICAMBI SPARE PARTS		
TAVOLA TABLE	3	2
DATA DATE	06/2001	

Nr. No.	OLD CODE	NEW CODE	RF80	RF90	RF120	RF140	DENOMINAZIONE - DESCRIPTION - DENOMINATION - BENENNUNG			
			RF81 Q.ty	RF91 Q.ty	RF121 Q.ty	Q.ty				
30	49824	00498R0240	1	1	1	1	Linguetta 4x4x8	Key	Clavette	Keil
31	77778	00777R0780	1	1	1	1	Rondella rasamento	Washer	Rondelle	Unterlegscheibe
32	62123	00621R0230	1	1	1	1	Piattello regolatore	Retainer	Coupelle	Federteller
33	04602	0012400130	1	1	1	1	Anello seeger	Snap Ring	Circlip	Sicherungsring
34	46990	00469R0900	1	1	1	1	Ingranaggio albero a camme compl.	Gear	Engrenage	Zahnrad
35	77773	00777R0730	1	—	—	—	Rondella rasam. D.11.5 sp.0,3	Washer	Rondelle	Unterlegscheibe
	77747	00777R0470	1	—	—	—	Rondella rasam. D.11.5 sp.0,5	Washer	Rondelle	Unterlegscheibe
	77770	00777R0700	—	1	1	1	Rondella rasamento sp.0.3	Washer	Rondelle	Unterlegscheibe
	77769	00777R0690	—	1	1	1	Rondella rasamento sp.0.5	Washer	Rondelle	Unterlegscheibe
36	35438	00354R0380	1	1	1	1	Distanziale D.12.2x15 H.17	Spacer	Entretoise	Distanzstück

● Testa con guide
Cylinder head with guides
Culasse avec guides
Zylinderkopfmit Führung

▲ Testa completa
Complete cylinder head
Culasse complète
Zylinderkopf komplette



Nr. No.	OLD CODE	NEW CODE	RF80	RF90	RF120	RF140	DENOMINAZIONE - DESCRIPTION - DENOMINATION - BENENNUNG			
			RF81 Q.ty	RF91 Q.ty	RF121 Q.ty	RF141 Q.ty				
1	99325	0017700020	1	1	1	1	Vite vte M.8x16	Screw	Vis	Schraube
2	77109	00771R0090	1	1	1	1	Rondella piana D.8,4x17 sp.1,6	Washer	Rondelle	Unterlegscheibe
3	77116	00771R0160	4	4	4	4	Rondella piana D.10,5x22 sp.4	Washer	Rondelle	Unterlegscheibe
4	32332	00323R0320	4	4	4	4	Dado M.10x1,25 H.10	Nut	Ecrou	Mutter
5	61635	00616R0350	2	2	2	2	Piattello inferiore valvola	Retainer	Coupelle	Federteller
6	54077	00540R0770	2	2	2	2	Molla valvola	Spring	Ressort	Feder
7	61636	00616R0360	2	2	2	2	Piattello superiore valvola	Retainer	Coupelle	Federteller
8	80904	0080570030	4	4	4	4	Semicono	Cotter	Semi-cône	Ventilkegelstück
9	44779	00447R0790	1	1	1	1	Guarnizione coperchio bilancieri	Gasket	Joint	Dichtung
10	23323	00233R0230	1	1	1	1	Coperchio bilancieri	Rocker arm cover	Couvercle culbuteurs	Kipphebeldeckel
11	77105	00771R0050	2	2	2	2	Rondella piana D.6,4x12,5 sp.1,6	Washer	Rondelle	Unterlegscheibe
12	99305	0017600340	2	2	2	2	Vite vte M.6x25	Screw	Vis	Schraube
13	89421	00894R0210	1	1	1	1	Tappo carico olio	Threaded plug	Bouchon fileté	Verschlußschraube
14	57947	00579R0470	1	1	1	1	Anello OR D.25.07 sez.2,62	O-ring	Joint torique	O-Ring
15	46477	00464R0770	2	2	2	2	Guida valvola	Valve Guide	Guide Soupape	Ventilführung
	46459	00464R0590	2	2	2	2	Guida valvola asp/scar + 0.1	Valve Guide	Guide Soupape	Ventilführung
16	05968	00059R0680	2	2	2	2	Anello guida valvola	Ring	Bague	Ring
17	98935	00989R0350	1	1	1	1	Vite fissaggio perno bilancieri	Screw	Vis	Schraube
18	42714	00427R0140	1	1	1	1	Gancio sollevamento motore	Hook	Crochet	Hacke
19	10435	00104R0350	1	1	1	1	Bilanciere scarico completo	Exhaust rocker arm	Culbuteur échappement	Auslasskipphebel
20	10434	00104R0340	1	1	1	1	Bilanciere aspirazione completo	Inlet rocker arm	Culbuteur admission	Einlasskipphebel
21	72603	00726R0030	2	2	2	2	Registro bilancieri	Setscrew	Vis réglage	Einstellschraube
22	32307	00323R0070	2	2	2	2	Dado M.6 H.6	Nut	Ecrou	Mutter
23	57957	00579R0570	2	2	2	2	OR 2050 D.12.42 Sez.1,78	O-ring	Joint torique	O-Ring
24	60033	00600R0330	1	1	1	1	Perno bilancieri	Rocker arm shaft	Axe culbuteur	Kipphebelzapfen
25	88607	00886R0070	1	1	1	—	Tappo D.10	Plug	Bouchon	Verschluß
26	84135	00841R0350	—	—	—	1	Spina cilindrica D.3x9	Taper pin	Goupille	Kegelstift
27	57913	0012000520	—	—	—	1	OR D.6.75 Sez.1.78	O-ring	Joint torique	O-Ring
28	85012	00850R0120	—	—	—	1	Spina elastica D.3x18 avvolta	Taper pin	Goupille	Kegelstift
29	54721	00547R0210	—	—	—	1	Molla leva alzavalvola	Spring	Ressort	Feder
30	49104	00491R0040	—	—	—	1	Leva alzavalvola	Lever	Levier	Hebel
31	2212	0022120000	—	—	—	1	Leva alzavalvola completa	Lever	Levier	Hebel



**TESTA - CYLINDER HEAD
CULASSE - ZYLINDERKOPF**

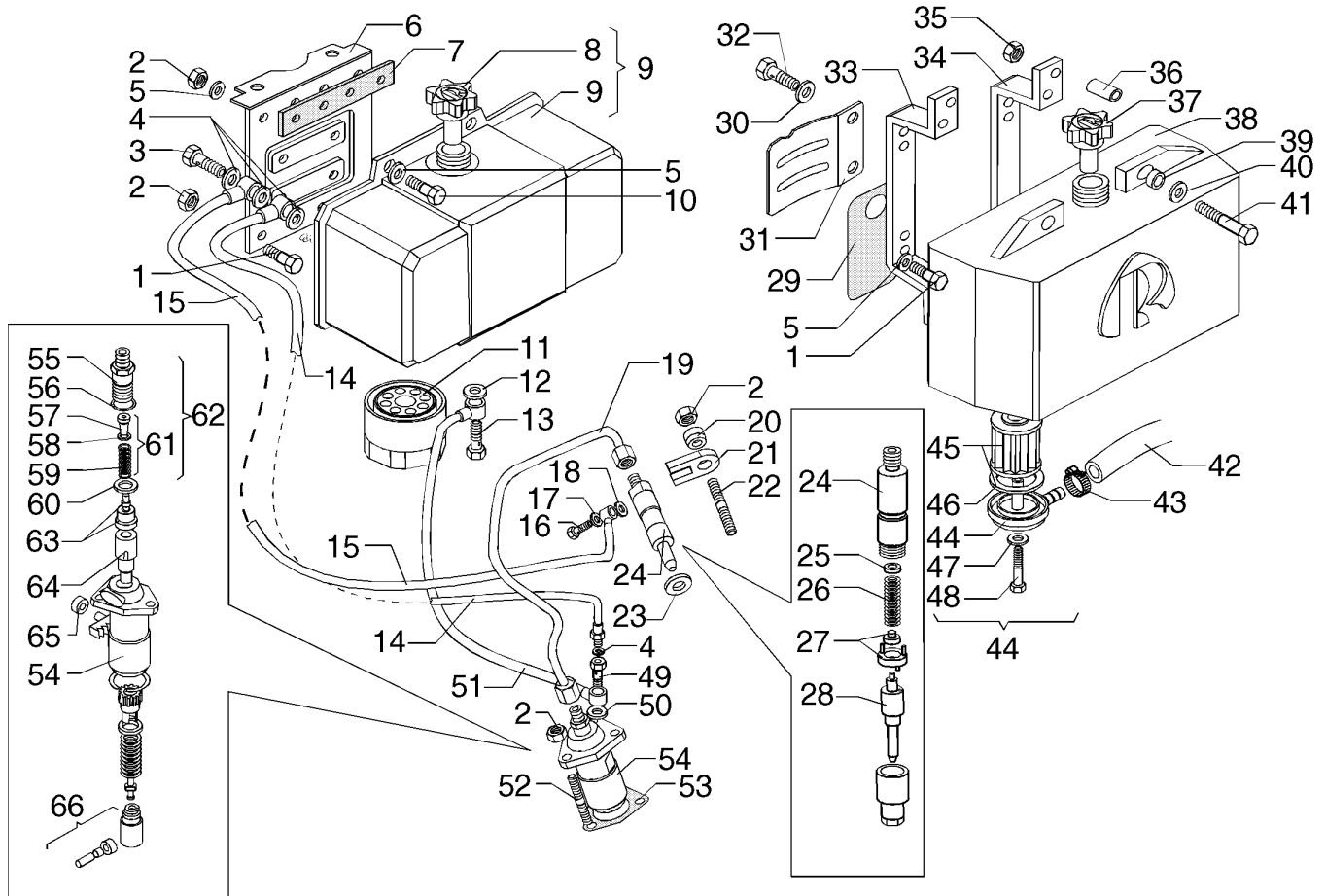
CATALOGO RICAMBI SPARE PARTS		
TAVOLA TABLE	4	2
DATA DATE	06/2001	

Nr. No.	OLD CODE	NEW CODE	RF80	RF90	RF120	RF140	DENOMINAZIONE - DESCRIPTION - DENOMINATION - BENENNUNG
			RF81 Q.ty	RF91 Q.ty	RF121 Q.ty	RF140 Q.ty	
32	07192	00071R0920	2	2	—	—	Asta bilancieri Push rod Tige poussoir Stoßstange
	07158	00071R0580	—	—	2	2	Asta bilancieri Push rod Tige poussoir Stoßstange
33	57910	00579R0100	2	2	2	2	OR 3081 D.20.24 Sez.2,62 O-ring Joint torique O-Ring
34	94015	00940R0150	1	1	—	—	Tubo custodia aste bilancieri Pipe Tuyau Rohr
	94014	00940R0140	—	—	1	1	Tubo custodia aste bilancieri Pipe Tuyau Rohr
35	70816	00708R0160	2	2	2	2	Punteria Tappet Poussoir Stössel
36	A2075	00A20R0750	1	—	—	—	Testa motore con guide Cylinder head with guid Culasse avec guide Zylinderkopf Führung
	A2076	00A20R0760	1	—	—	—	Testa motore completa Complete cylinder head Culasse complète Zylinderkopf Komplete
	A2110	00A21R0100	—	1	1	1	Testa motore con guide Cylinder head with guid Culasse avec guide Zylinderkopf Führung
	A2111	00A21R0110	—	1	1	1	Testa motore completa Complete cylinder head Culasse complète Zylinderkopf Komplete
37	44983	00449R0830	1	—	—	—	Guarnizione testa Cylinder head gasket Joint culasse Zylinderkopfdichtung
	44808	00448R0080	—	1	1	—	Guarnizione testa Cylinder head gasket Joint culasse Zylinderkopfdichtung
	44952	00449R0520	—	—	—	1	Guarnizione testa Cylinder head gasket Joint culasse Zylinderkopfdichtung
38	05966	00059R0660	1	—	—	—	Anello sede valvola aspiraz. STD Ring Bague Ring
	05975	00059R0750	1	—	—	—	Anello aspiraz. +0.2 mm Ring Bague Ring
	05997	00059R0970	—	1	1	1	Anello aspiraz. STD Ring Bague Ring
	06008	00060R0080	—	1	1	1	Anello aspiraz. +0.5 mm Ring Bague Bague
39	96049	00960R0490	1	—	—	—	Valvola aspirazione Inlet valve Soupape admission Einlassventil
	96056	00960R0560	—	1	1	1	Valvola aspirazione Inlet valve Soupape admission Einlassventil
40	05965	00059R0650	1	—	—	—	Anello valvola scarico STD Exhaust valve seat Siège soupape échapp. Auslassventilsitz
	05974	00059R0740	1	—	—	—	Anello scarico +0.2 mm Exhaust valve seat Siège soupape échapp. Auslassventilsitz
	05996	00059R0960	—	1	1	1	Anello scarico STD Exhaust valve seat Siège soupape échapp. Auslassventilsitz
	06007	00060R0070	—	1	1	1	Anello scarico +0.5 mm Exhaust valve seat Siège soupape échapp. Auslassventilsitz
41	96050	00960R0500	1	—	—	—	Valvola scarico Exhaust valve Soupape échappement Auslassventil
	96055	00960R0550	—	1	1	1	Valvola scarico Exhaust valve Soupape échappement Auslassventil
42	68416	00684R0160	4	4	—	—	Prigioniero cilindro Cylinder stud Goujon Stiftschraube
	68415	00684R0150	—	—	4	4	Prigioniero cilindro Cylinder stud Goujon Stiftschraube
43	20319	00203R0190	1	—	—	—	Cilindro Cylinder Cylindre Zylinder
	20371	00203R0710	—	1	—	—	Cilindro Cylinder Cylindre Zylinder
	20312	00203R0120	—	—	1	—	Cilindro d.90 Cylinder Cylindre Zylinder
	20342	00203R0420	—	—	—	1	Cilindro Cylinder Cylindre Zylinder
44	44807	00448R0070	2	2	2	—	Guarnizione piano cilindro sp.0.1 Gasket Joint Dichtung
	44848	00448R0480	2	2	2	—	Guarnizione piano cilindro sp.0.2 Gasket Joint Dichtung
	44950	00449R0500	—	—	—	2	Guarnizione piano cilindro sp.0.1 Gasket Joint Dichtung
	44951	00449R0510	—	—	—	2	Guarnizione piano cilindro sp.0.2 Gasket Joint Dichtung



POMPA INIEZIONE E INIETTORE - INJECTION PUMP AND INJECTOR
 POMPE A INJECTION-PORTE INJECTEUR - EINSPRITZPUMPE UND EINSPRITZDÜSE

CATALOGO RICAMBI SPARE PARTS		
TAVOLA TABLE	5	1
DATA DATE	06/2001	



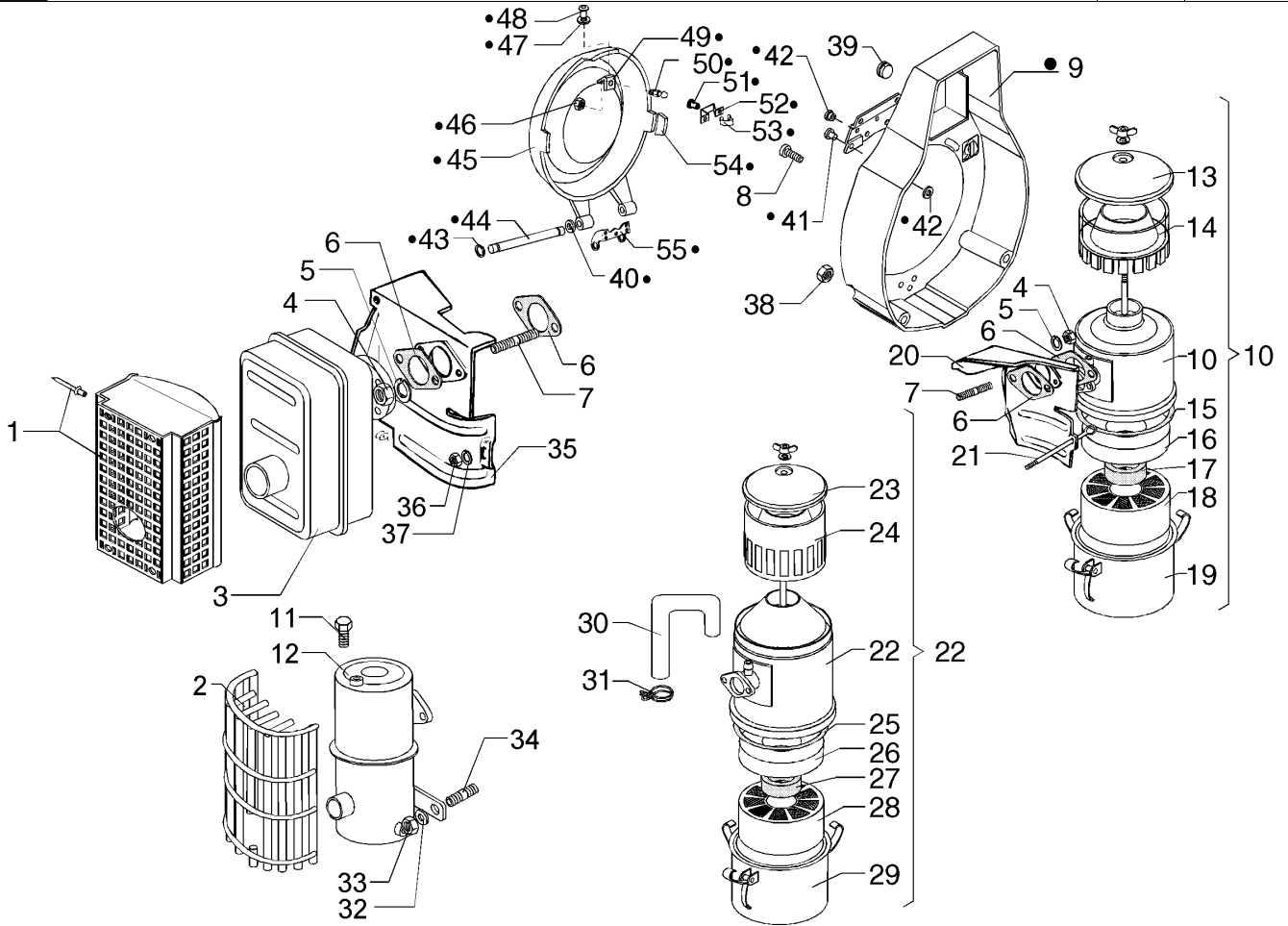
Nr. No.	OLD CODE	NEW CODE	RF80	RF90	RF120	RF140	DENOMINAZIONE - DESCRIPTION - DENOMINATION - BENENNUNG			
			RF81	RF91	RF121	RF140				
			Q.ty	Q.ty	Q.ty	Q.ty				
1	99301	0017700060	4	4	4	4	Vite M.8x25	Capscrew	Vis	Schraube
2	32303	00323R0030	12	12	12	12	Dado M.8 H.8	Nut	Ecrou	Mutter
3	71617	00716R0170	—	—	1	1	Raccordo 8x1x25	Union	Raccord	Anschlußstück
4	75402	00754R0020	3	3	4	4	Rondella rame D.8,2x12 sp.1	Washer	Rondelle	Unterlegscheibe
5	77109	00771R0090	8	8	8	8	Rondella piana D.8,4x17 sp.1,6	Washer	Rondelle	Unterlegscheibe
6	87734	00877R0340	—	—	1	1	Supporto serbatoio	Fuel tank bracket	Support réservoir	Kraftstoffbehälterlager
7	37917	00379R0170	—	—	2	2	Feltro serbatoio	Felt gasket	Feutre	Filz
8	89822	00898R0220	—	—	1	1	Tappo serbatoio M.36x2	Plug	Bouchon	Verschluß
9	A2047	00A20R0470	—	—	1	1	Serbatoio con sede filtro	Fuel tank	Réservoir	Kraftstoffbehälter
10	99316	0017700040	—	4	4	4	Vite M.8x20	Capscrew	Vis	Schraube
11	17523	0021752000	—	—	1	1	Cartuccia nafta	Filter element	Cartouche filtrante	Filtereinsatz
		0021752030	—	—	1	1	Cartuccia nafta abbassata	Filter element	Cartouche filtrante	Filtereinsatz
12	75401	00754R0010	—	—	2	2	Rondella allum.D.14,2x20 sp.1,5	Washer	Rondelle	Unterlegscheibe
13	71615	0019010320	—	—	1	1	Raccordo 14x1.5x27	Union	Raccord	Anschlußstück
14	93629	00936R0290	1	1	—	—	Tubo disareazione	Pipe	Tuyau	Rohr
	93634	00936R0340	—	—	1	1	Tubo disaerazione	Pipe	Tuyau	Rohr
15	93667	00936R0670	1	1	1	1	Tubo rifiuto iniettore	Pipe	Tuyau	Rohr
16	71728	00717R0280	1	1	1	1	Raccordo	Union	Raccord	Anschlußstück
17	75439	00754R0390	1	1	1	1	Rondella rame	Washer	Rondelle	Unterlegscheibe
18	75439	00754R0390	1	1	1	—	Rondella rame	Washer	Rondelle	Unterlegscheibe
	75450	00754R0500	—	—	—	1	Rondella rame D.6,2x10 sp.2,5	Washer	Rondelle	Unterlegscheibe
19	94442	00944R0420	1	1	—	—	Tubo iniezione	Injection pipe	Tube injection	Rohr
	94443	00944R0430	—	—	1	1	Tubo iniezione	Injection pipe	Tube injection	Rohr
20	77197	00771R0970	1	1	1	1	Rondella D.8,4x15 sp.7,5	Washer	Rondelle	Unterlegscheibe
21	85894	00858R0940	1	1	1	1	Staffa iniettore	Brace	Etrier	Bügel
22	67688	00676R0880	1	1	1	1	Prigioniero M.8x32 r.15/12/20	Stud	Goujon	Stiftschraube
23	75435	00754R0350	1	1	1	1	Rondella rame D.7,25x21 sp.1	Washer	Rondelle	Unterlegscheibe
	75451	00754R0510	—	—	—	1	Rondella rame D.7.25x21 sp.0,5	Washer	Rondelle	Unterlegscheibe
24	64438	00644R0380	1	1	1	1	Iniettore completo STANADYNE	Injector	Injecteur compl.	Einspritzdüse
	64430	00644R0300	1	1	1	1	Iniettore completo BOSCH	Injector	Injecteur compl.	Einspritzdüse
25	83730	00837R0300	1	1	1	1	Rondella taratura 0,1 mm	Shim	Cale	Unterlegscheibe
26	54079	00540R0790	1	1	1	1	Molla	Spring	Ressort	Feder



**POMPA INIEZIONE E INIETTORE - INJECTION PUMP AND INJECTOR
POMPE A INJECTION-PORTE INJECTEUR - EINSPRITZPUMPE UND EINSPRITZDÜSE**

CATALOGO RICAMBI SPARE PARTS		
TAVOLA TABLE	5	2
DATA DATE	06/2001	

Nr. No.	OLD CODE	NEW CODE	RF80	RF90	RF120	RF140	DENOMINAZIONE - DESCRIPTION - DENOMINATION - BENENNUNG			
			RF81 Q.ty	RF91 Q.ty	RF121 Q.ty	RF141 Q.ty				
27	35523	00355R0230	1	1	1	1	Distanziale	Spacer	Entretoise	Distanzstück
28	64437	00644R0370	1	1	1	1	Polverizzatore STANADYNE	Nozzle	Injecteur	Düse
	64436	00644R0360	1	1	1	1	Polverizzatore BOSCH	Nozzle	Injecteur	Düse
29	58296	00582R0960	1	1	—	—	Targhetta adesiva protez.serb.	Advert.material	Objets publicit.	Werbe-Artikel
30	75446	00754R0460	1	1	—	—	Rondella rame D.8x14 sp.4	Washer	Rondelle	Unterlegscheibe
31	58905	00589R0050	1	1	—	—	Paratia di protezione serbatoio	Conveyor	Défecteur	Luftblech
32	71618	00716R0180	1	1	—	—	Raccordo 8x1x30 a due fori	Union	Raccord	Anschlußstück
33	85910	00859R0100	1	1	—	—	Staffa supporto serb.lato scar.	Brace	Etrier	Bügel
34	85909	00859R0090	1	1	—	—	Staffa supporto serb.lato asp.	Brace	Etrier	Bügel
35	32349	00323R0490	4	4	—	—	Dado autobloccante M.8 H.10,4	Nut	Ecrou	Mutter
36	35484	00354R0840	4	4	—	—	Distanziale D.8.2x10.2 H.21	Spacer	Entretoise	Distanzstück
37	89826	00898R0260	1	1	—	—	Tappo serbatoio	Tank cap	Bouchon	Verschluss
38	82490	00824R0900	1	1	—	—	Serbatoio nafta	Fuel tank	Réservoir	Kraftstoffbehälter
39	75838	00758R0380	8	8	—	—	Rondella in gomma D.10.3x18 sp.6	Washer	Rondelle	Unterlegscheibe
40	77230	00772R0300	4	4	—	—	Rondella piana D.8.5x20 sp.2	Washer	Rondelle	Unterlegscheibe
41	99323	0017700090	4	4	—	—	Vite vte M.8x35	Screw	Vis	Schraube
42	93736	00937R0360	1	1	—	—	Tube da serbatoio a p.iniez.	Pipe	Tuyau	Rohr
43	37570	00375R0700	1	1	—	—	Fascetta stringitubo D.12	Clamp	Collier	Rohrschelle
44	39122	00391R0220	1	1	—	—	Filtro nafta interno completo	Fuel Filter	Filtre Combustible	Brennstofffilter
45	17532	0021752050	1	1	—	—	Cartuccia gasolio	Filter Element	Cartouche Filtrante	Filtereinsatz
46	45097	00450R0970	1	1	—	—	Guarnizione	Gasket	Joint	Dichtung
47	75432	00754R0320	1	1	—	—	Rondella	Washer	Rondelle	Unterlegscheibe
48	99549	0017600610	1	1	—	—	Vite	Capscrew	Vis	Schraube
49	71717	0019010120	1	1	1	1	Raccordo completo disaereazione	Union	Raccord	Anschlußstück
50	75408	00754R0080	2	2	2	2	Rondella rame D.12,2x16 sp.1,5	Washer	Rondelle	Unterlegscheibe
51	93494	00934R0940	—	—	1	1	Tube da serbatoio a p.iniez.	Pipe	Tuyau	Rohr
52	67670	00676R0700	4	4	4	4	Prigioniero M.8x20	Stud	Goujon	Stiftschraube
53	44765	00447R0650	1	1	1	1	Guarnizione pompa iniezione sp0.1	Gasket	Joint	Dichtung
	44843	00448R0430	2	2	2	2	Guarnizione pompa iniezione sp0.2	Gasket	Joint	Dichtung
	44866	00448R0660	1	1	1	1	Guarnizione pompa iniezione sp0.3	Gasket	Joint	Dichtung
54	65641	00656R0410	1	1	—	—	Pompa iniezione NEW-DIESEL 1K60	Injection pump	Pompe injection	Einspritzpumpe
	65647	00656R0470	1	1	—	—	Pompa iniezione BOSCH 1K60	Injection pump	Pompe injection	Einspritzpumpe
	65603	00656R0030	—	—	1	1	Pompa iniezione STANADYNE 1K70	Injection pump	Pompe injection	Einspritzpumpe
	65618	00656R0180	—	—	1	1	Pompa iniezione BOSCH 1K70	Injection pump	Pompe injection	Einspritzpumpe
55	71705	00717R0050	1	1	1	1	Raccordo	Union	Raccord	Anschlußstück
56	57921	00579R0210	1	1	1	1	Anello OR d.15.60 sez.1,78	O-ring	Joint torique	O-Ring
57	71706	0074700030	1	1	1	1	Riempitore	Union	Raccord	Anschlußstück
58	83727	00837R0270	1	1	1	1	Rondella pompa iniezione	Shim	Cale	Unterlegscheibe
59	54045	00540R0450	1	1	1	1	Molla pompa iniezione	Spring	Ressort	Feder
60	75417	00754R0170	1	1	1	1	Rondella pompa iniezione	Washer	Rondelle	Unterlegscheibe
61	54078	00540R0780	1	1	1	1	Molla	Spring	Ressort	Feder
62	2871	0028710000	1	1	1	1	Raccordo con riempitore	Union	Raccord	Anschlußstück
63	95631	00956R0310	1	1	—	—	Valvolina STANADYNE _K60	Valve	Soupape	Ventil
	95651	00956R0510	1	1	—	—	Valvola NEW DIESEL	Valve	Soupape	Ventil
	95627	0096720120	—	—	1	1	Valvolina STANADYNE _K70	Valve	Soupape	Ventil
	95625	00956R0250	—	—	1	1	Valvolina BOSCH _K70	Valve	Soupape	Ventil
64	66020	00660R0200	1	1	—	—	Pompante STANADYNE _K60	Pumping element	Element pompe	Pumpenelement
	66021	00660R0210	1	1	—	—	Pompante BOSCH _K60	Pumping element	Element pompe	Pumpenelement
	66017	00660R0170	—	—	1	1	Pompante STANADYNE _K70	Pumping element	Element pompe	Pumpenelement
	66013	00660R0130	—	—	1	1	Pompante BOSCH _K70	Pumping element	Element pompe	Pumpenelement
65	12028	00120R0280	1	1	1	1	Bussola sferica	Sleeve	Douille	Buchse
66	70808	00708R0080	1	1	1	1	Punteria pompa iniezione	Tappet	Poussoir	Stößel



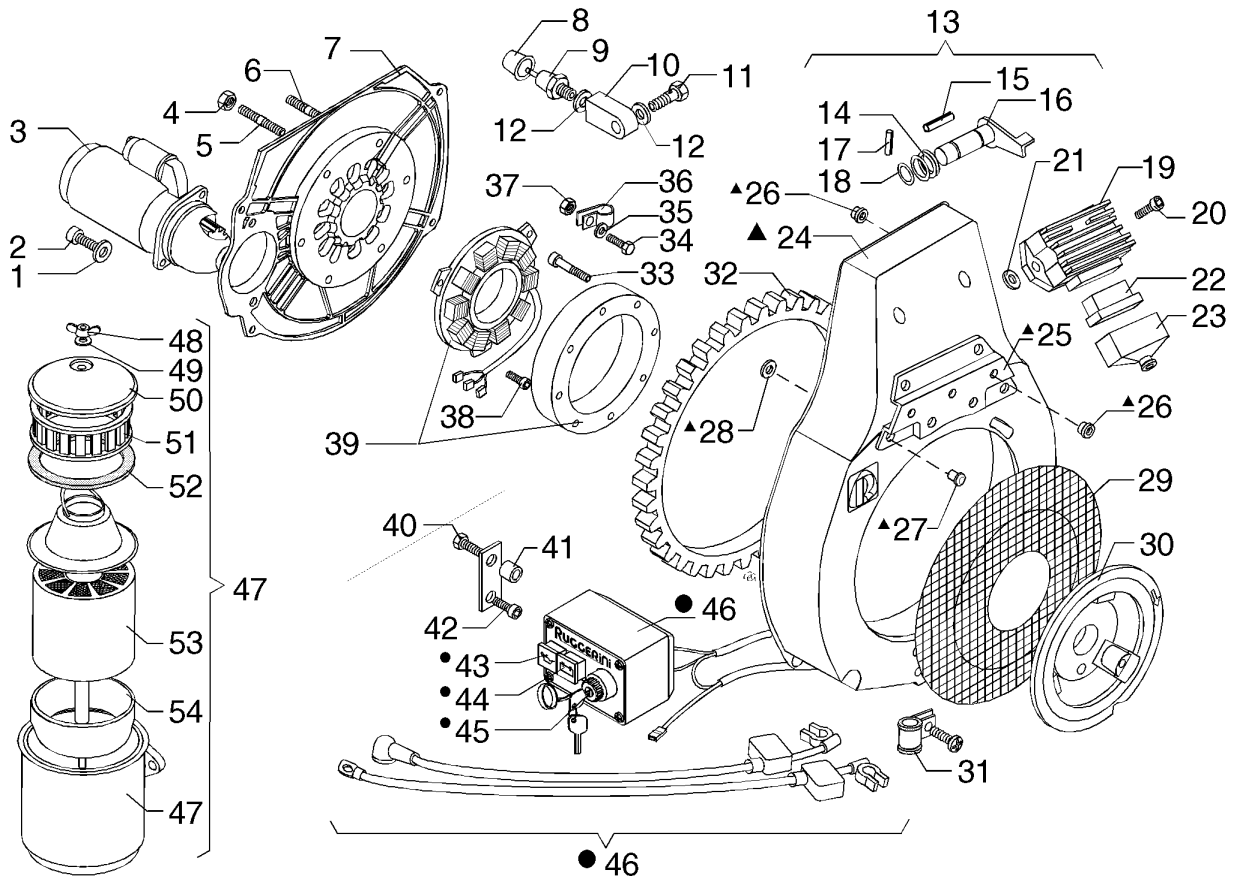
Nr. No.	OLD CODE	NEW CODE	RF80 RF81 Q.ty	RF90 RF91 Q.ty	RF120 RF121 Q.ty	RF140 Q.ty	DENOMINAZIONE - DESCRIPTION - DENOMINATION - BENENNUNG			
1	68883	00688R0830	—	—	—	1	Protezione marmitta completa	Guard	Protection	Schutz
2	68890	00688R0900	1	1	1	—	Protezione marmitta completa	Guard	Protection	Schutz
3	52666	00526R0660	—	—	—	1	Marmitta a bauletto	Muffler	Pot échappement	Auspufftopf
4	32590	00325R0900	4	4	4	4	Dado speciale M.8 ch.12	Nut	Ecrou	Mutter
5	76302	00763R0020	4	4	4	4	Rondella grower d.8 rinforzata	Washer	Rondelle	Unterlegscheibe
6	44814	00448R0140	4	4	4	4	Guarnizione asp.scar.	Gasket	Joint	Dichtung
7	67670	00676R0700	4	4	4	4	Prigioniero M.8x20	Stud	Goujon	Stiftschraube
8	99815	00998R0150	6	6	6	4	Vite M.6x10	Screw	Vis	Schraube
9	22944	00229R0440	1	1	—	—	Convogliatore aria	Air conveyer	Coiffe ventil	Ventilatorhaube
	22874	00228R0740	—	—	1	1	Convogliatore aria	Air conveyer	Coiffe ventil	Ventilatorhaube
10	38829	00388R0290	—	1	1	1	Filtro aria con prefiltro	Air cleaner	Filtre air	Luftfilter
11	99339	0017600320	1	1	1	—	Vite vte M.6x14	Capscrew	Vis	Schraube
12	52744	00527R0440	1	1	1	—	Marmitta	Muffler	Pot échappement	Auspufftopf
13	23349	00233R0490	—	1	1	1	Coperchio	Cover	Couvercle	Deckel
14	05990	00059R0900	—	1	1	1	Anello in plexiglass	Plexiglass ring	Bague en plexiglass	Ring
15	57941	00579R0410	—	1	1	1	OR D.130.2 Sez.5.34	O-ring	Joint torique	O-Ring
16	06048	00060R0480	—	1	1	1	Anello in poliuretano	Poliuretano ring	Bague en poliurethan	Ring
17	44934	00449R0340	—	1	1	1	Guarnizione	Gasket	Joint	Dichtung
18	35926	00359R0260	—	1	1	1	Elemento filtrante	Filter element	Element filtrant	Filtereinsatz
19	25229	00252R0290	—	1	1	1	Coppa olio	Oil sump	Carter huile	Ölwanne
20	58894	00588R0940	1	1	—	—	Paratia lato aspirazione	Conveyor	Défecteur	Luftleiblech
	58879	00588R0790	—	—	1	1	Paratia lato aspirazione	Conveyor	Défecteur	Luftleiblech
21	92619	00926R0190	1	1	1	1	Tirante paratie	Tie rod	Entretoise	Zugstange
22	38840	00388R0400	1	—	—	—	Filtro aria	Air cleaner	Filtre air	Luftfilter
23	23314	00233R0140	1	—	—	—	Coperchio	Cover	Couvercle	Deckel
24	06006	00060R0060	1	—	—	—	Anello in plexiglass	Plexiglass ring	Bague en plexiglass	Ring
25	57975	00579R0750	1	—	—	—	Anello OR	O-ring	Joint torique	O-Ring
26	06013	00060R0130	1	—	—	—	Anello in poliuretano	Poliuretano ring	Bague en poliurethan	Ring
27	45120	00451R0200	1	—	—	—	Guarnizione	Gasket	Joint	Dichtung
28	35930	00359R0300	1	—	—	—	Elemento filtrante	Filter element	Element filtrant	Filtereinsatz
29	25232	00252R0320	—	—	—	—	Coppa olio filtro aria	Oil sump	Carter huile	Ölwanne
30	94907	00949R0070	1	1	—	—	Tube sfiato olio	Pipe	Tuyau	Rohr



RAFFREDDAMENTO - COOLING
REFROIDISSEMENT - LUFTKÜHLUNG

CATALOGO RICAMBI SPARE PARTS		
TAVOLA TABLE	6	2
DATA DATE	06/2001	

Nr. No.	OLD CODE	NEW CODE	RF80	RF90	RF120	RF140	DENOMINAZIONE - DESCRIPTION - DENOMINATION - BENENNUNG			
			RF81 Q.ty	RF91 Q.ty	RF121 Q.ty	RF140 Q.ty				
	94906	00949R0060	—	—	1	1	Tubo sfiato olio	Pipe	Tuyau	Rohr
31	37551	00375R0510	2	2	2	2	Fascetta	Clamp	Collier	Rohrschelle
32	77109	00771R0090	3	3	1	1	Rondella piana D.8,4x17 sp.1,6	Washer	Rondelle	Unterlegscheibe
33	32303	00323R0030	1	1	1	—	Dado M.8 H.8	Nut	Ecrou	Mutter
34	67674	00676R0740	1	1	1	—	Prigioniero M.8x16	Stud	Goujon	Stiftschraube
35	58889	00588R0890	1	1	—	—	Paratia lato scarico	Conveyor	Défecteur	Luftleiblech
	58878	00588R0780	—	—	1	1	Paratia lato scarico	Conveyor	Défecteur	Luftleiblech
36	32353	00323R0530	1	1	1	1	Dado autobloccante M.4 H.5,8	Nut	Ecrou	Mutter
37	77138	00771R0380	1	1	1	1	Rondella piana D.4,3x9 sp.0,8	Washer	Rondelle	Unterlegscheibe
38	32307	00323R0070	—	4	2	2	Dado M.6 H.6	Nut	Ecrou	Mutter
39	88663	00886R0630	2	2	2	2	Tappo in polietilene D.12	Plug	Bouchon	Verschluß
40	77105	00771R0050	4	4	4	4	Rondella piana D.6,4x12,5 sp.1,6	Washer	Rondelle	Unterlegscheibe
41	73806	00738R0060	4	4	—	—	Ribattino	Rivet	Rivet	Niete
42	74214	00742R0140	2	2	—	—	Rivetto filettato M.8	Rivet	Rivet	Niete
43	01606	00016R0060	2	2	2	2	Anello benzina	Circlip	Bague Arrêt	Drahtsprengring
44	60153	00601R0530	1	1	1	1	Perno supporto copripuleggia	Journal	Axe	Zapfen
45	68841	00688R0410	1	1	1	1	Protezione puleggia in plastica	Pulley guard	Protège poulie	Riemenscheibenschutz
46	32317	00323R0170	1	1	1	1	Dado	Nut	Ecrou	Mutter
47	77243	00772R0430	7	7	7	7	Rondella piana D.3,2x8 sp.0,8	Washer	Rondelle	Unterlegscheibe
48	73811	00738R0110	7	7	7	7	Ribattino D.3x8	Rivet	Rivet	Niete
49	61318	00613R0180	1	1	1	1	Piastrina chiusura copripul.ins.	Safety plate	Arrêttoir	Sicherungsblech
50	60173	00601R0730	1	1	1	1	Perno x attacco rapido	Journal	Axe	Zapfen
51	74213	00742R0130	2	2	2	2	Rivetto a strappo D.3.2x7	Rivet	Rivet	Niete
52	61317	00613R0170	1	1	1	1	Piastrina	Safety plate	Support	Sicherungsblech
53	55532	00555R0320	1	1	1	1	Molla copripuleggia	Spring	Ressort	Feder
54	35488	00354R0880	1	1	1	1	Distanziale	Spacer	Entretoise	Distanzstück
55	87894	00878R0940	1	1	1	1	Supporto copripuleggia	Support	Support	Lager
•	C2200	00C22R0000	1	1	1	1	Kit copripuleggia completo	Pulley guard	Protège poulie	Riemenscheibenschutz



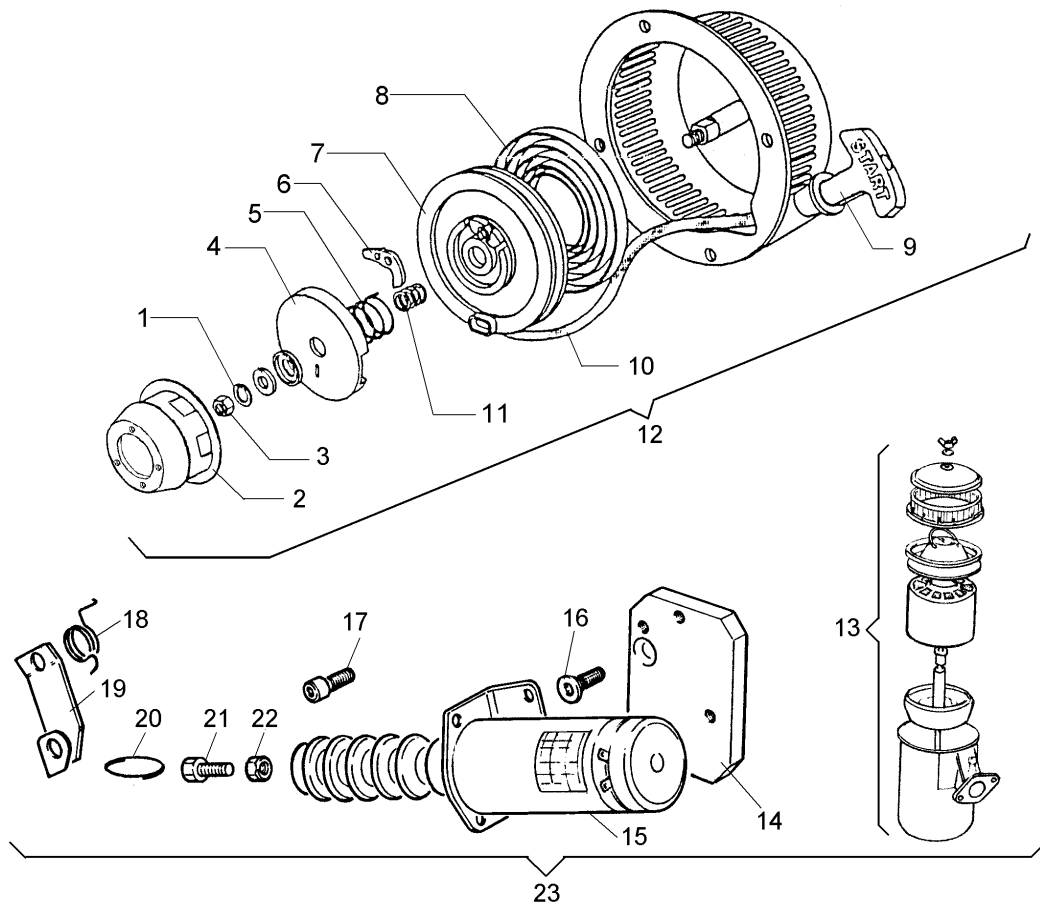
Nr. No.	OLD CODE	NEW CODE	RF80	RF90	RF120	RF140	DENOMINAZIONE - DESCRIPTION - DENOMINATION - BENENNUNG			
			RF81 Q.ty	RF91 Q.ty	RF121 Q.ty	RF141 Q.ty				
1	76703	00767R0030	2	2	2	2	Rondella convessa D.10	Washer	Rondelle	Unterlegscheibe
2	99233	00992R0330	2	2	2	2	Vite M.10x30	Screw	Vis	Schraube
3	56350	0058401420	—	—	1	1	Motorino avviamento BOSCH 1.1 kW	Starting motor	Démarrreur	Anlasser
4	32303	00323R0030	6	6	7	7	Dado M.8 H.8	Nut	Ecrou	Mutter
5	67602	00676R0020	2	2	2	2	Prigioniero M.8x20	Stud	Goujon	Stiftschraube
6	67670	00676R0700	4	4	4	4	Prigioniero M.8x20	Stud	Goujon	Stiftschraube
7	88128	00881R0280	1	1	—	—	Supporto di banco	Support	Support	Lager
	87855	00878R0550	—	—	1	1	Supporto di banco avv.el.	Support	Support	Lager
8	15150	0064910130	1	1	1	1	Cappello	Cap	Capouchon	Schutzkappe
9	67401	00674R0010	1	1	1	1	Pressostato	Pressure switch	Mano- contact press	Druckschalter
10	61230	00612R0300	1	1	1	1	Piastrina	Safety plate	Arrêtoir	Sicherungsblech
11	71662	00716R0620	1	1	1	1	Raccordo	Union	Raccord	Anschlußstück
12	75428	00754R0280	2	2	2	2	Rondella rame D.8,2x14 sp.1	Washer	Rondelle	Unterlegscheibe
13	2212	0022120000	1	1	1	1	Leva alzavalvola completa	Lever	Levier	Hebel
14	84135	00841R0350	1	1	1	1	Spina cilindrica D.3x9	Taper pin	Goupille	Kegelstift
15	85012	00850R0120	1	1	1	1	Spina elastica D.3x18 avvolta	Taper pin	Goupille	Kegelstift
16	49104	00491R0040	1	1	1	1	Leva alzavalvola	Lever	Levier	Hebel
17	54721	00547R0210	1	1	1	1	Molla leva alzavalvola	Spring	Ressort	Feder
18	57913	0012000520	1	1	1	1	OR D.6.75 Sez.1.78	O-ring	Joint torique	O-Ring
19	73013	00730R0130	1	1	1	1	Regolatore Saprisa 12V (alt.210W)	Governor	Régulateur	Regler
20	77110	00771R0100	2	2	2	2	Rondella piana D.8.5x18 sp.4	Washer	Rondelle	Unterlegscheibe
21	99212	0097301000	2	2	2	2	Vite M.8x25	Capscrew	Vis	Schraube
22	22203	00222R0030	1	1	1	1	Connettore	Connection	Connecteur	Klemmstück
23	15152	0021450140	1	1	1	1	Cappello	Cap	Capouchon	Schutzkappe
24	22944	00229R0440	1	1	—	—	Convogliatore aria	Air conveyor	Coiffe ventil	Ventilatorhaube
	22874	00228R0740	—	—	1	1	Convogliatore aria	Air conveyor	Coiffe ventil	Ventilatorhaube
25	87894	00878R0940	1	1	—	—	Supporto copripuleggia	Support	Support	Lager
26	74214	00742R0140	4	4	2	2	Rivetto filettato M.8	Rivet	Rivet	Niete
27	73806	00738R0060	4	4	—	—	Ribattino	Rivet	Rivet	Niete
28	77109	00771R0090	1	4	—	—	Rondella piana D.8,4x17 sp.1,6	Washer	Rondelle	Unterlegscheibe
29	73469	00734R0690	1	1	1	1	Rete volano	Net	Grille	Netz
30	69678	00696R0780	1	1	1	1	Puleggia avviamento	Pulley	Poulie	Riemenscheibe



**AVVIAMENTO ELETTRICO - ELECTRICAL STARTING
DEMARRAGE ELECTRIQUE - ELEKTRISCHER ANLASSER**

CATALOGO RICAMBI SPARE PARTS		
TAVOLA TABLE	7	2
DATA DATE	06/2001	

Nr. No.	OLD CODE	NEW CODE	RF80	RF90	RF120	RF140	DENOMINAZIONE - DESCRIPTION - DENOMINATION - BENENNUNG
			RF81 Q.ty	RF91 Q.ty	RF121 Q.ty	Q.ty	
31	37582	00375R0820	2	2	1	1	Fascetta x cavi altern.con gomma Clamp Collier Rohrschelle
32	25611	00256R0110	1	1	1	1	Corona avviamento z=109 m=2.5 Starter gear Couronne démarrage Starterkranz
33	99258	00992R0580	5	5	5	5	Vite M.6x30 Capscrew Vis Schraube
34	99309	00993R0090	—	—	1	—	Vite vte M.5x10 Screw Vis Schraube
	99311	0017550200	—	—	—	1	Vite M.5x14 Capscrew Vis Schraube
35	77101	00771R0010	—	—	1	1	Rondella piana Washer Rondelle Unterlegscheibe
36	37512	00375R0120	—	—	1	1	Fascetta Clamp Collier Rohrschelle
37	32306	00323R0060	—	—	1	1	Dado M.5 H.5 Nut Ecrou Mutter
38	99260	00992R0600	3	3	3	3	Vite vtcei M.6x16 autobloccante Screw Vis Schraube
39	01409	00014R0090	1	1	1	1	Alternatore 210 W Alternator Alternateur Drehstrom gener.
40	99308	0017550240	1	1	1	1	Vite Capscrew Vis Schraube
41	35476	00354R0760	1	1	1	1	Distanziale D.6.3x13 h.10 Spacer Entretoise Distanzstück
42	99207	0097300120	1	1	1	1	Vite vtcei M.6x20 Screw Vis Schraube
43	48809	00488R0090	1	1	1	1	Lampada spia pressione olio Lamp Lampe Glühbirne
44	48810	00488R0100	1	1	1	1	Lampada spia ricarica batteria Lamp Lampe Glühbirne
45	48404	00484R0040	1	1	1	1	Chiave avviamento Switch Interrupteur Schalter
46	44453	00444R0530	1	1	1	1	Quadretto con cavi Electrical panel Tableau électrique Schaltkasten
47	38828	00388R0280	1	1	—	—	Filtro aria x avv.elett. (e RF) Air cleaner Filtre air Luftfilter
48	42301	00423R0010	1	1	—	—	Dado ad alette M.6 Wing nut Ecrou Flügelmutter
49	75001	00750R0010	1	1	—	—	Rondella D.6 Washer Rondelle Unterlegscheibe
50	23318	00233R0180	1	1	—	—	Coperchio Cover Couvercle Deckel
51	05973	00059R0730	1	1	—	—	Anello in Plexiglass Plexiglass ring Bague en plexiglass Ring
52	45020	00450R0200	1	1	—	—	Guarnizione a U Gasket Joint Dichtung
53	35924	00359R0240	1	1	—	—	Elemento filtrante Filter element Element filtrant Filtereinsatz
54	25228	00252R0280	1	1	—	—	Coppa olio filtro aria Oil sump Carter huile Ölwanne



Nr. No.	OLD CODE	NEW CODE	RF80 RF81 Q.ty	RF90 RF91 Q.ty	RF120 RF121 Q.ty	RF140 Q.ty	DENOMINAZIONE - DESCRIPTION - DENOMINATION - BENENNUNG			
1	76301	00763R0010	1	1	1	1	Rondella Grower	Washer	Rondelle	Unterlegscheibe
2	69688	0079800800	1	1	1	1	Puleggia per autoavvolgente	Pulley	Poulie	Riemenscheibe
3	32309	0032400080	1	1	1	1	Dado M6	Nut	Ecrou	Mutter
4	23442	00234R0420	1	1	1	1	Coperchio	Cover	Couvercle	Deckel
5	55550	00555R0500	1	1	1	1	Molla	Spring	Ressort	Feder
6	49572	00495R0720	2	2	2	2	Leva di innesto	Lever	Levier	Hebel
7	69244	00692R0440	1	1	1	1	Puleggia avv. Recoil	Pulley	Poulie	Anwerfscheibe
8	55549	00555R0490	1	1	1	1	Molla a spirale	Spring	Ressort	Feder
9	51820	00518R0200	1	1	1	1	Manopola	knob	Bouton	Knopf
10	41116	00411R0160	1	1	1	1	Fune	Cord	Corde	Seil
11	54114	00541R0140	1	1	1	1	Molla	Spring	Ressort	Feder
12	0958	00000R9580	1	1	1	1	Recoil completo	Complete Recoil	Recoil complet	Ganz Recoil
13	38822	00388R0220	1	1	—	—	Filtro aria RF 80-90	Air cleaner	Filtre air	Luftfilter
14	87911	00879R0110	1	1	1	1	Supporto	Support	Support	Lager
15	67446	00674R0460	1	1	1	1	Elettrostop	Elettrostop	Elettrostop	Elettrostop
16	99721	0098000700	2	2	2	2	Vite	Screw	Vis	Schraube
17	99227	00992R0270	2	2	2	2	Vite M.6x14	Capscrew	Vis	Schraube
18	54772	00547R0720	1	1	1	1	Molla	Spring	Ressort	Feder
19	49449	00494R0490	1	1	1	1	Leva stop	Lever	Levier	Hebel
20	06012	00060R0120	1	1	1	1	Anello di sicurezza	Ring	Bague	Ring
21	98967	00989R0670	1	1	1	1	Vite	Screw	Vis	Schraube
22	32309	0032400080	1	1	1	1	Dado M6	Nut	Ecrou	Mutter
23	C2191	00C21R0910	1	1	1	1	Applicazione completa	Complete kit	Kit complet	Ganz kit

00496R0870 0030 06/01 Descrizioni e illustrazioni non impegnative - Descriptions and characteristics subject to modification - Descriptions et illustrations peuvent être modifiées - Änderungen vorbehalten