



# Excavator loader

## Owner parts book



### 3C & 3D Mk III

FROM MACHINE NO. 125000

3C AM 952/3

JCB SERVICE ©  
ROCESTER, STAFFORDSHIRE  
ST14 5LS, ENGLAND

TEL. ROCESTER (0889) 590312

Printed in England.

Publication No. 9801/3500

N<sup>o</sup> 130196

Buckets & attachments

A

21.9.78

Body & framework

B

Electrical instruments

C

Controls

D

Hydraulics

E

Transmission

F

Brakes

G

Steering

H

Engine

K

# Controls

# D

**D1**

**VALVE CONTROLS**

**D2**

**BRAKE CLUTCH CONTROLS**

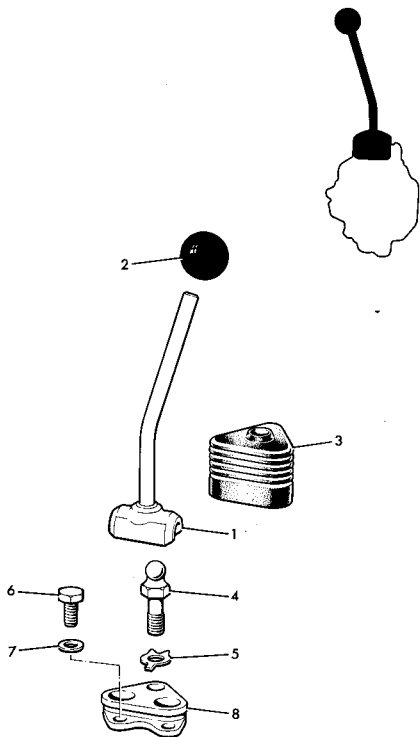
**D3**

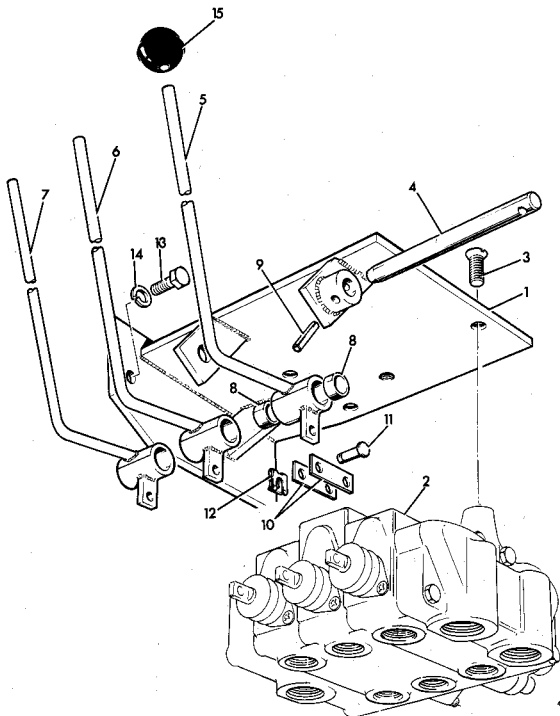
**DIRECTIONAL CONTROLS**

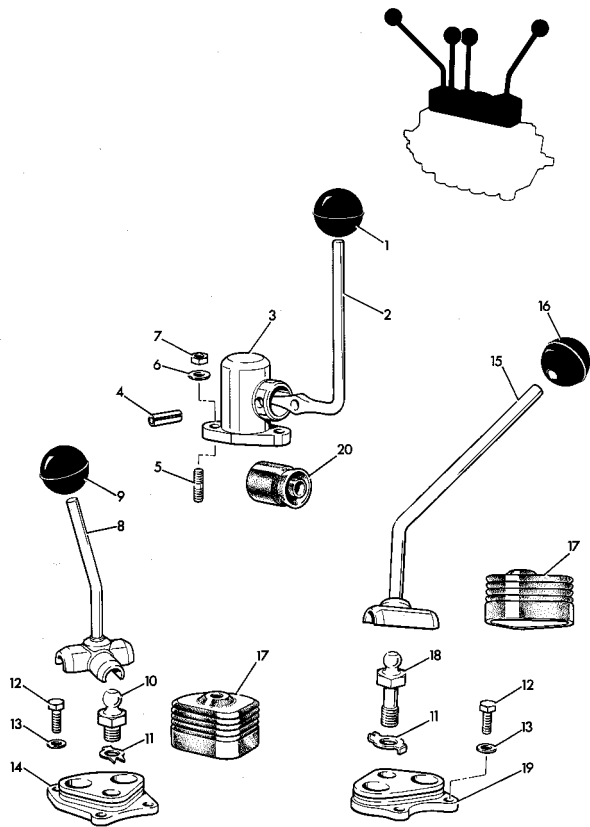
# VALVE CONTROLS

# D1

Description	3C		3D	
	Page	up to m/c no.	Page	up to m/c no.
Excavator Valve Levers—STD	D 1-3-1		D 1-3-1	
Excavator Valve Levers—Optional	D 1-4-1		D 1-4-1	
Excavator Valve Levers—Optional	D 1-5-1	126926 on	D 1-5-1	126926 on
Excavator Valve Levers—Optional	D 1-5-2	126926 on	D 1-5-2	126926 on
Excavator Valve Cover	D 1-8-1	126926 on	D 1-8-1	126926 on
Foot Control Linkage	D 1-6-1		D 1-6-1	
Shovel Valve Levers (Single)	D 1-1-1			
Shovel Valve Levers (Three)	D 1-2-1		D 1-2-1	
Shovel Valve Lever Lock Installation	D 1-7-1		D 1-7-1	







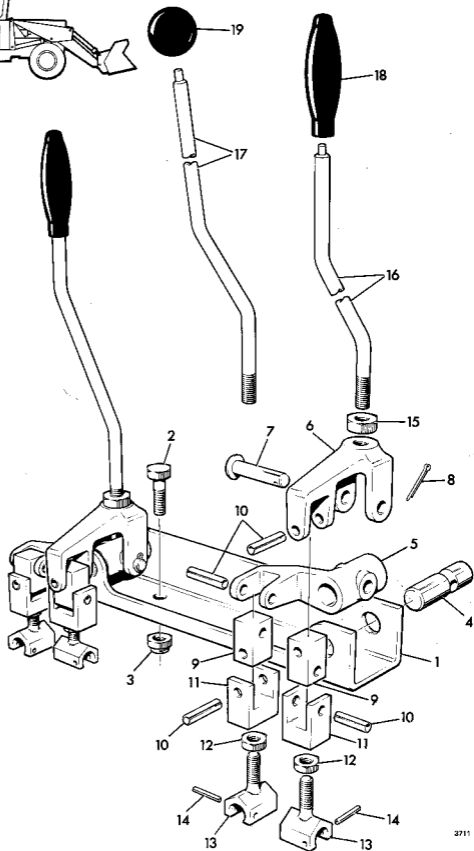
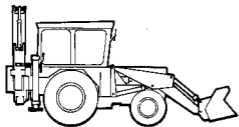
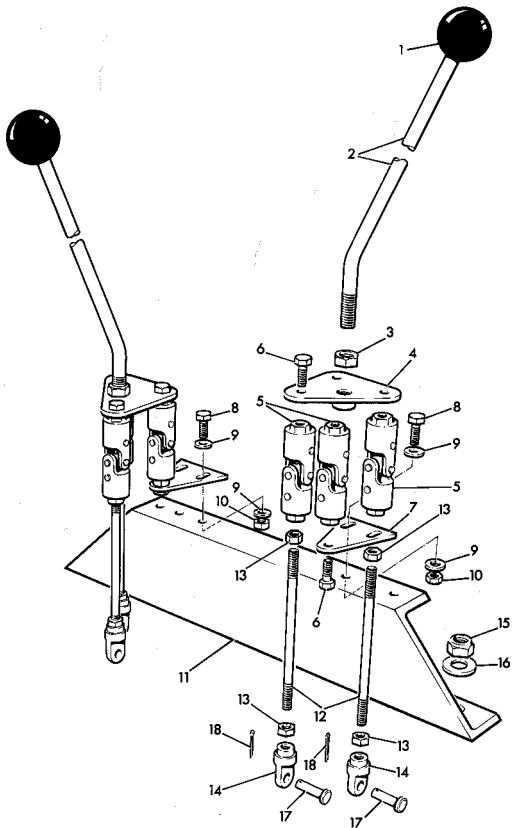
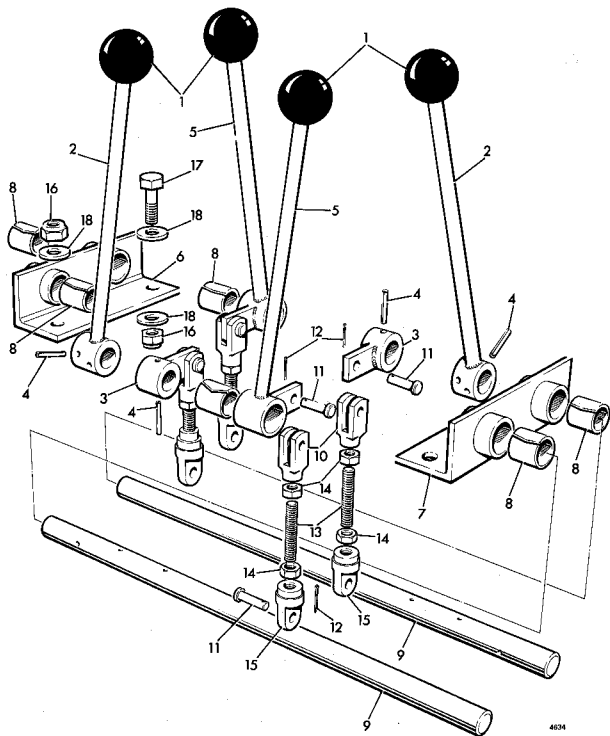
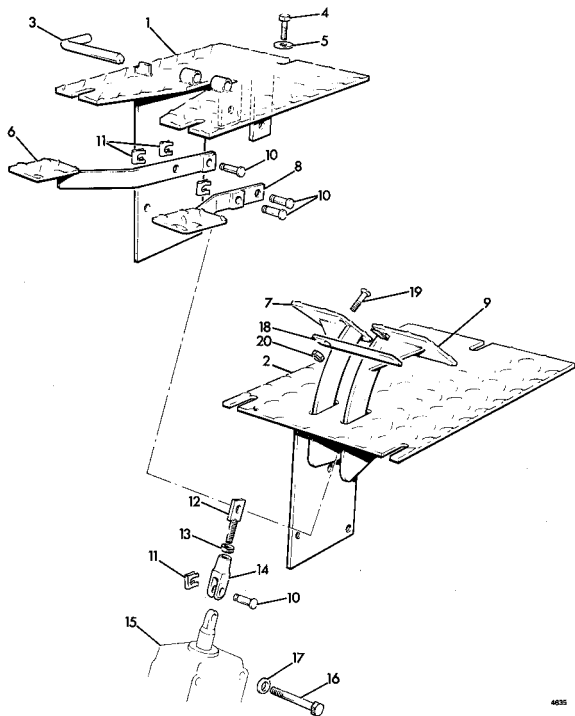
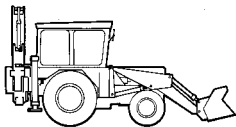


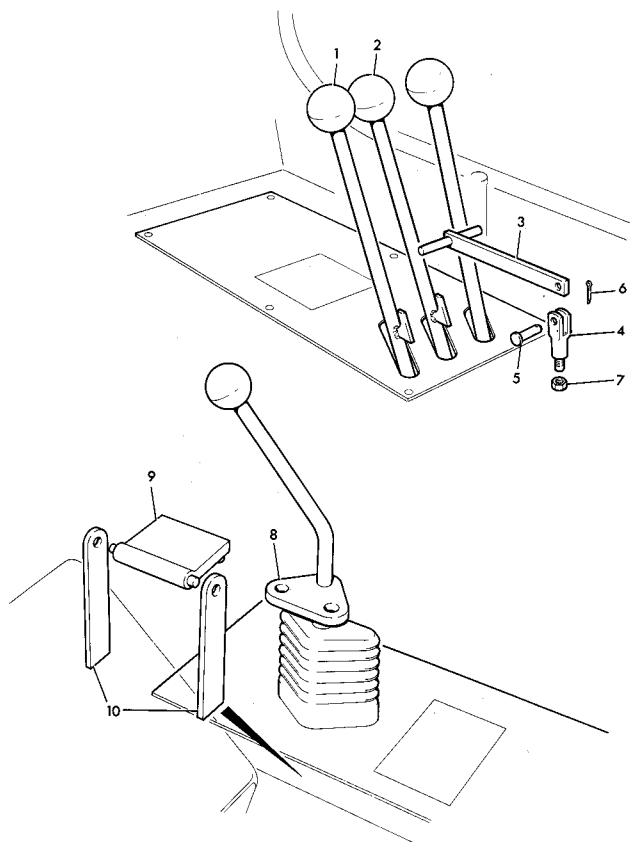
Figure 7

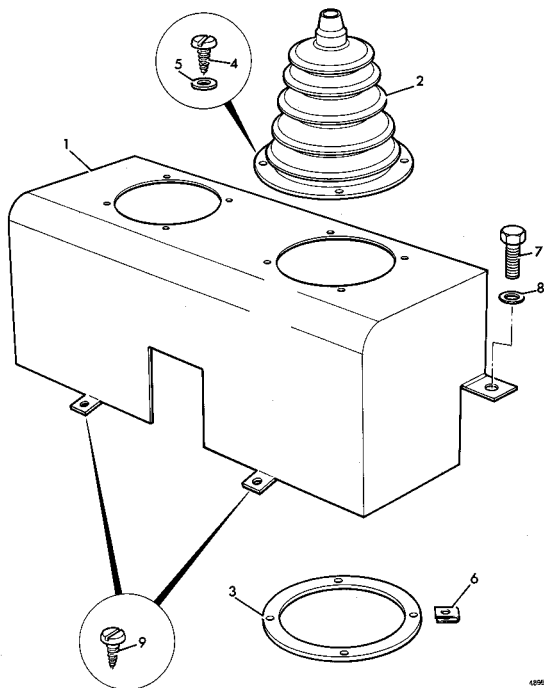










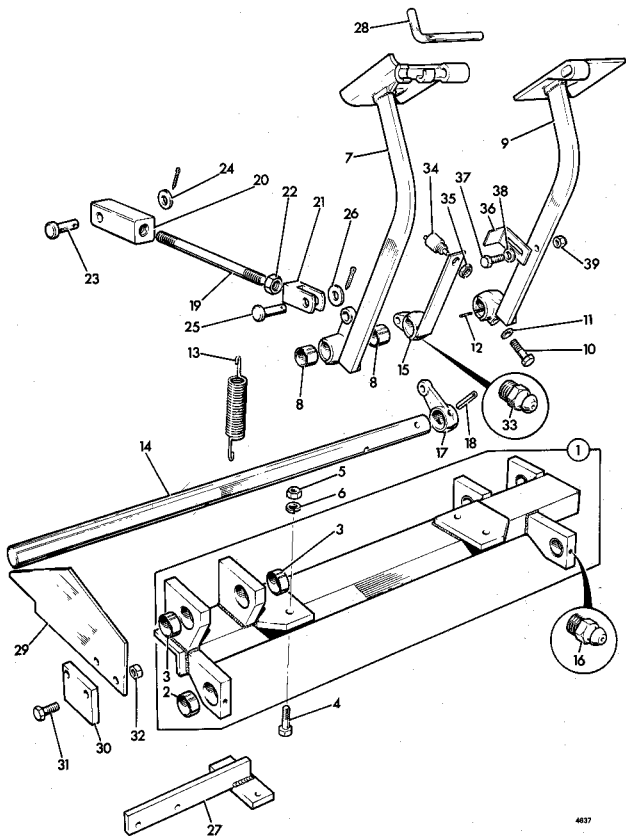


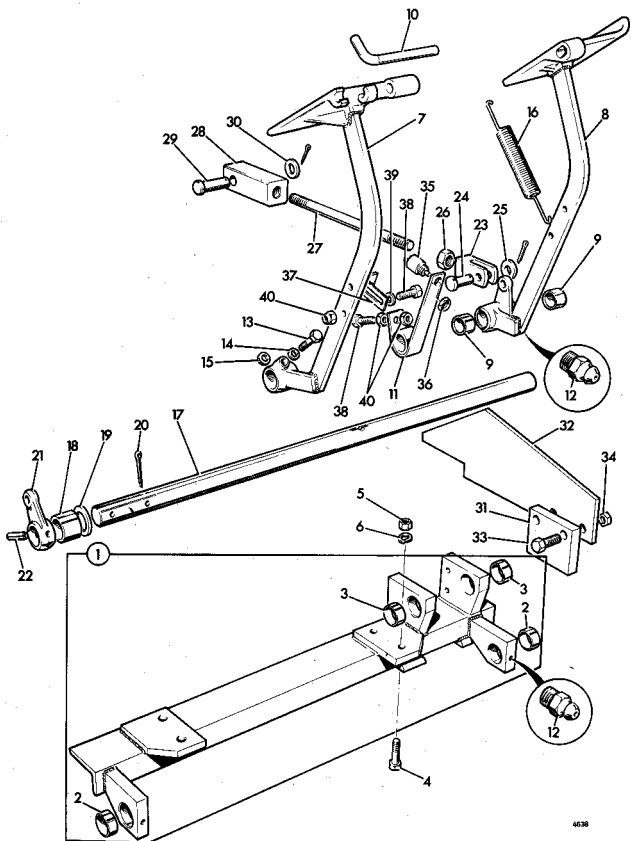
# BRAKE CLUTCH CONTROLS

# D2

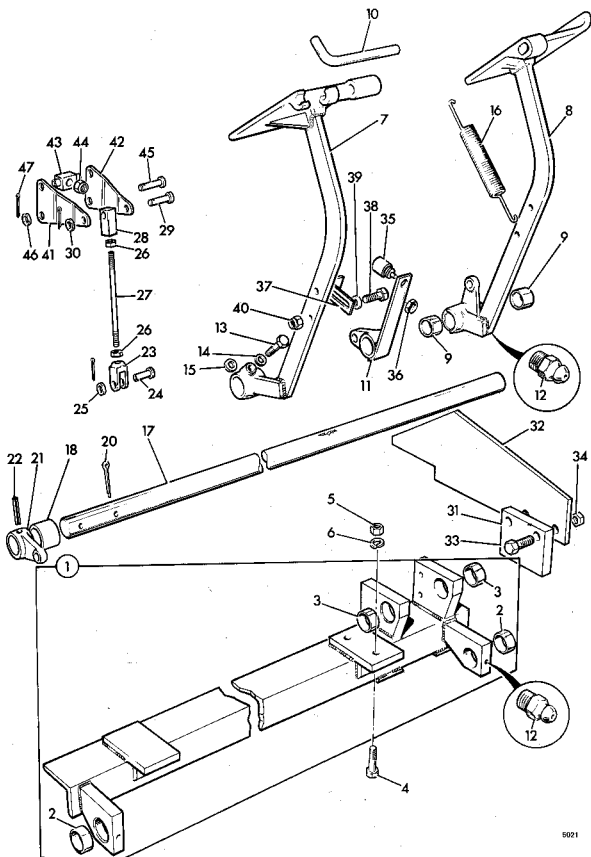
Description	3C		3D	
	Page	up to m/c no.	Page	up to m/c no.
Brake Pedal—Manual Transmission	D 2-2-1		D 2-2-1	
* Brake Pedal—T/C Transmission	D 2-3-1 D 2-3-2		D 2-3-1 D 2-3-2	
Clutch Pedal—Manual Transmission	D 2-1-1		D 2-1-1	
Handbrake—STD	D 2-4-1		D 2-4-1	
Handbrake—Heavy Duty	D 2-5-1		D 2-5-1	
Handbrake—With Wheel Brakes	D 2-6-1		D 2-6-1	
Linkage—With Wheel Brakes	D 2-7-1		D 2-7-1	

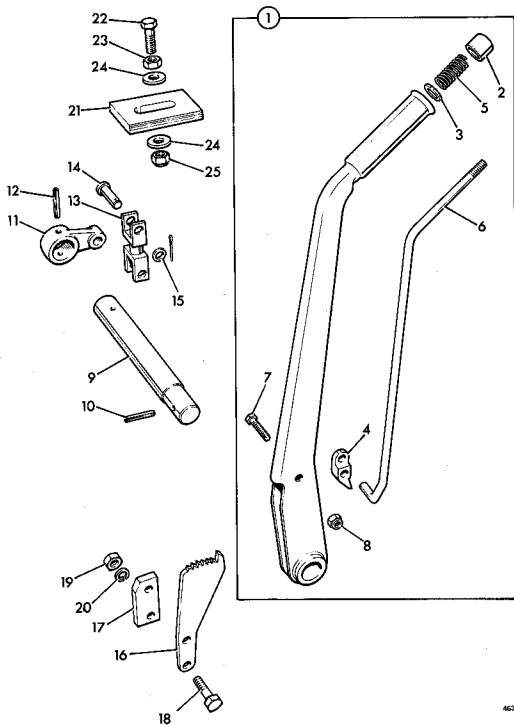


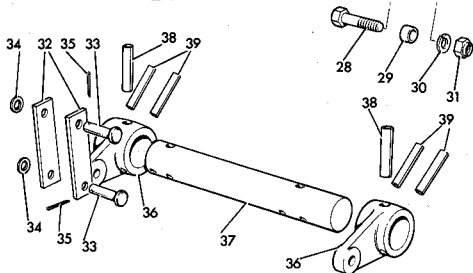
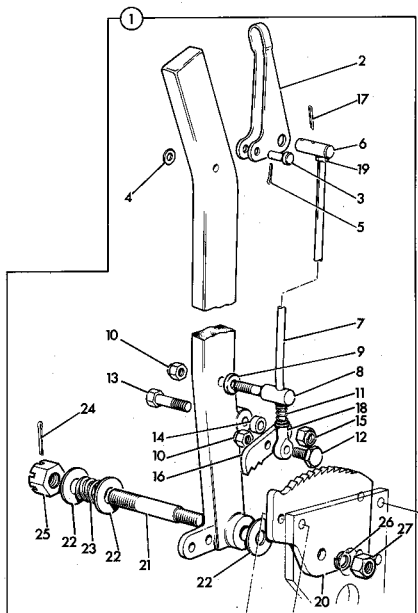


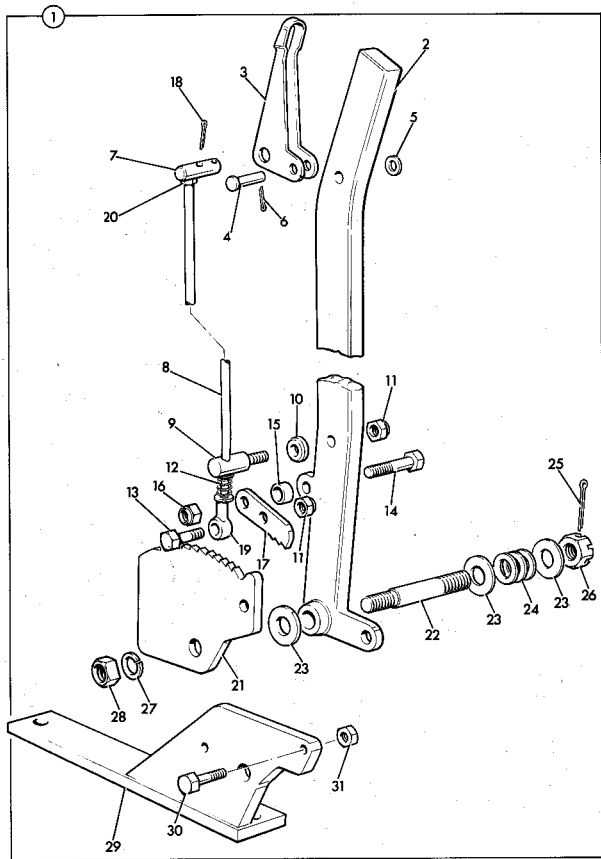


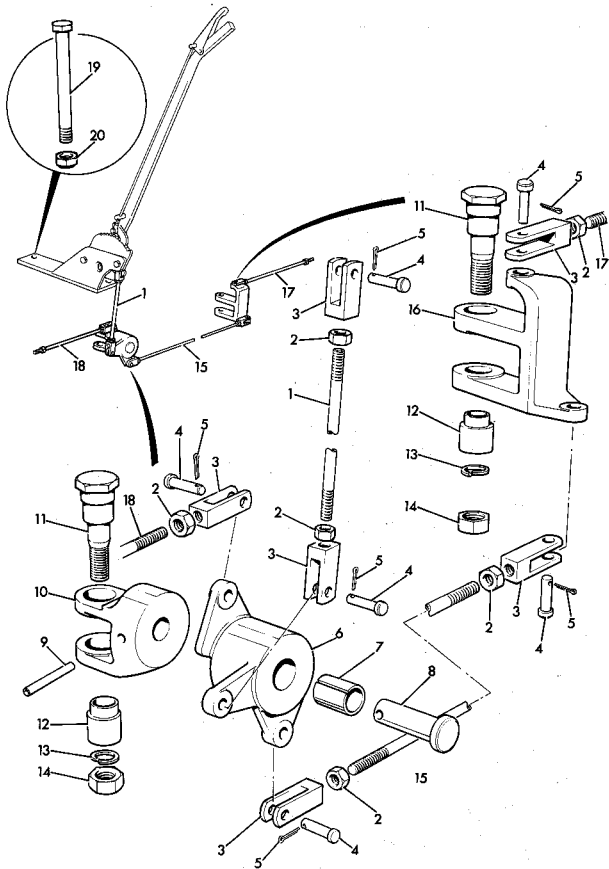












# DIRECTIONAL CONTROLS

# D3

Description	3C		3D	
	Page	up to m/c no.	Page	up to m/c no.
Forward & Reverse Control Linkage T/C STD	D 3-1-1		D 3-1-1	
Forward & Reverse Control Linkage T/C German	D 3-1-2		D 3-1-2	
*Throttle Control Linkage	D 3-2-1 D 3-2-2		D 3-2-1 D 3-2-2	

