

**80200 to 80299**

# Illustrated Parts List

## Model Series

### 80200 to 80299

TYPE NUMBERS  
2201 through 2413,  
2416, 2419, 2421,  
2422, 2423, 2424,  
2426, 2428, 2429,  
2430, 2431, 2432,  
2915 through 2919,  
2922,  
2935 through 2941,  
2949,  
4001 through 4058,  
4820, 4821, 4823,  
8844, 8901,  
8911 through 8924.

**TO FIND  
THE CORRECT NUMBER OF THE PART YOU NEED:  
FOLLOW THE INSTRUCTIONS BELOW**

- A. Refer to Engine Model, Type and Code Number that is stamped on the blower housing of engine. Engine type numbers such as 0123 01 are listed only as 0123 in most instances. The two digits (01 or 02, etc.) to the right of the space may be required for more accurate parts identification in some instances. Select the Illustrated Parts List covering the correct Model Series and Type Number.
- B. Refer to the Illustrations and compare the original part with Illustration. The number next to the illustration is the Reference Number. Assemblies include all parts shown in frames. All parts shown in assembly frames having individual reference numbers can be purchased separately.
- C. After the Reference Number has been identified, refer to the Numerical text, where Reference and Primary Part Number are listed. **THE PRIMARY PART IS USED ON ALL TYPE NUMBERS EXCEPT THOSE TYPE NUMBERS UNDER "NOTE."**
- D. If a "Note" appears below the Primary Part Number, it means that this part differs from the Primary Part for certain types. If your Type number is listed under "Note," order the part referred to at the "Note."
- E. If your Engine Type Number does not appear after any part number listed under "Note," use the Primary Part Number.
- F. For Engine Type Numbers not covered by this book, check other Parts Lists having the same engine model or contact your source of supply.

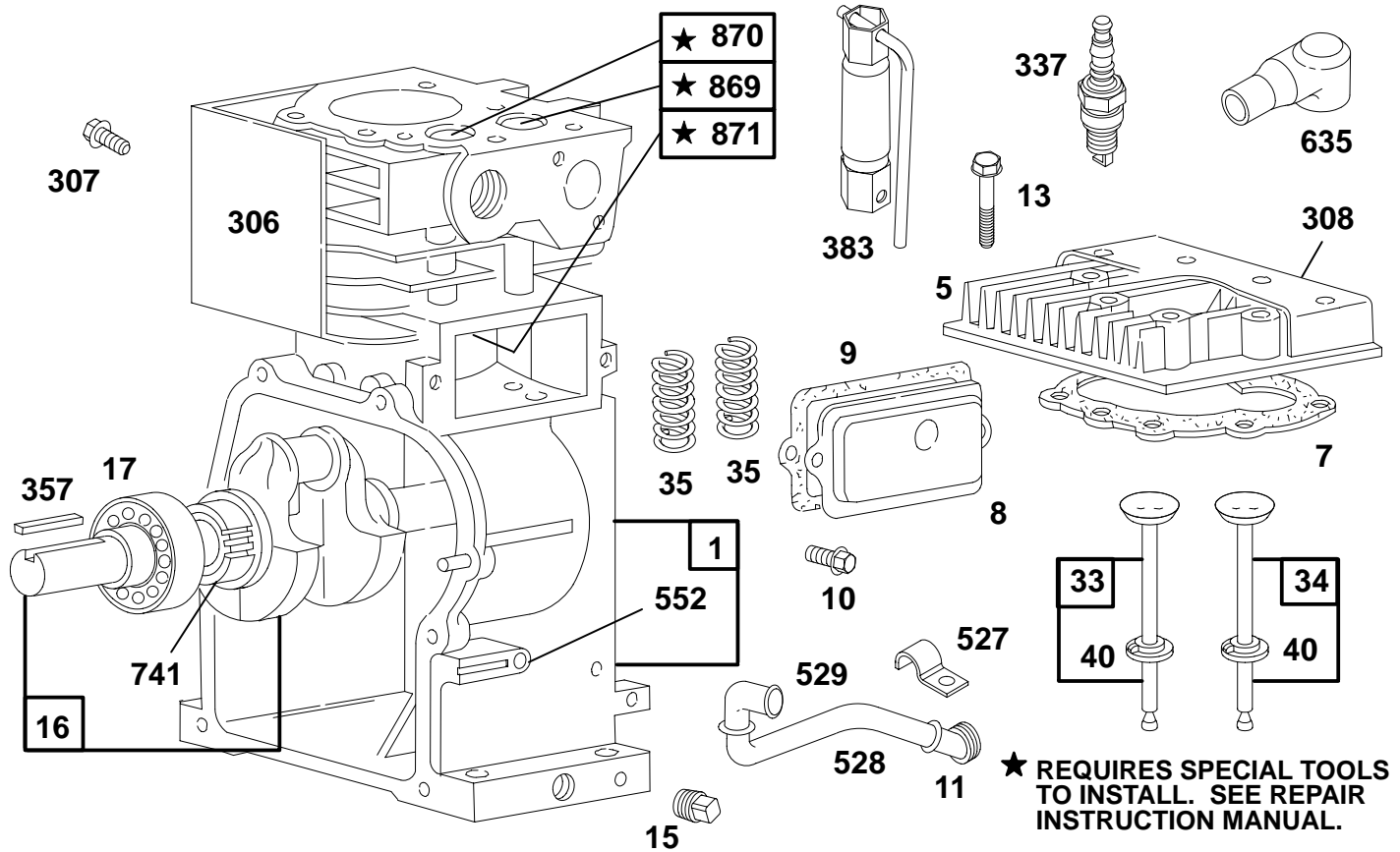
PRINTED IN U.S.A.

COPYRIGHT©

**BRIGGS & STRATTON**

®

# 80200 to 80299



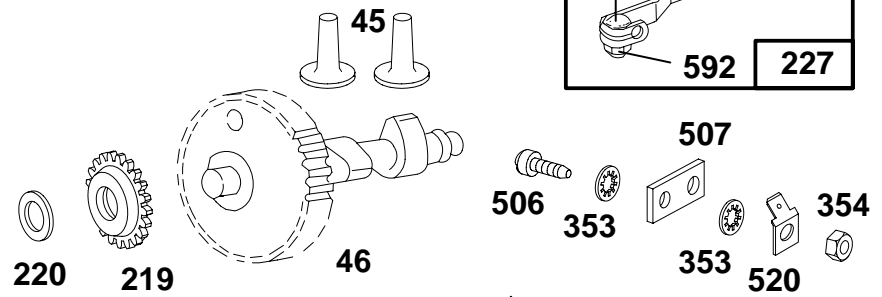
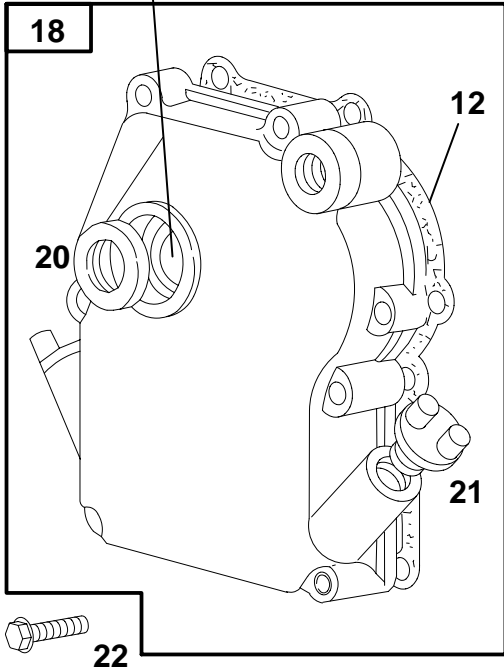
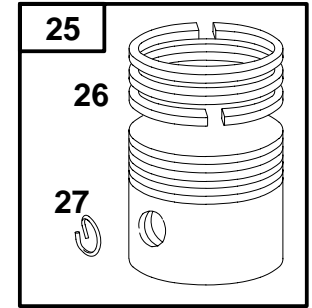
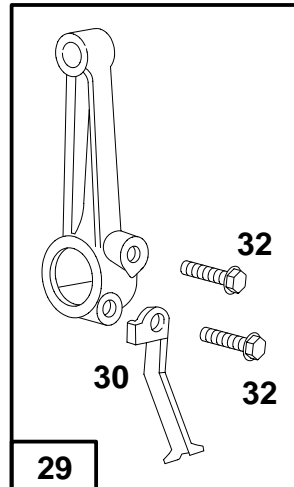
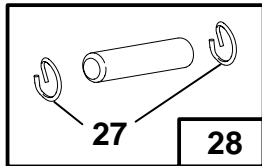
REF. NO.	PART NO.	DESCRIPTION	REF. NO.	PART NO.	DESCRIPTION	REF. NO.	PART NO.	DESCRIPTION
1	395879	Cylinder Assembly			<b>See Last Pages.</b>	552	231079	Bushing—Governor Shaft
7	★272167	Gasket—Cylinder Head	40		Retainer—Valve	635	66538	Boot—Spark Plug
8	294178	Breather Assembly			<b>See Last Pages.</b>	741	261533	Gear—Timing (For Plain Bearing)
9	★27549	Gasket—Breather	306	224377	Shield—Cylinder (Used After Code Date 89102200).			<b>Note</b>
10	94688	Screw—Valve Cover Mtg.			<b>Note</b>			261721 Gear—Timing (For Ball Bearing)
11	66578	Grommet			220478 Cover—Cylinder Shield (Used Before Code Date 89102300).	869	211172	Seat—Valve (Intake) (Used After Code Date 88073100).
13		Screw—Cylinder Head						<b>Note</b>
		<b>See Last Pages.</b>	307	93758	Screw—Cylinder Shield Mtg.			210879 Seat—Valve (Used Before Code Date 88080100).
15	91249	Plug—Pipe, Sq. Hd.				870	211291	Seat—Valve (Exhaust)
		<b>Note</b>	308	223390	Cover—Cylinder Head	871	231348	Guide—Bushing (Exhaust)
		93448 Plug—Oil Drain (Hex. Socket Hd.)	337		Plug—Spark			<b>Note</b>
16		Crankshaft			<b>See Last Pages.</b>			63709 Guide—Bushing (Intake)
		<b>See Last Pages.</b>	357	91539	Key—Drive Pulley			
17	99158	Bearing—Ball	383	89838	Wrench—Spark Plug			
33		Valve—Exhaust	527	223786	Clamp—Tube			
		<b>See Last Pages.</b>	528	231527	Tube—Breather			
34	296677	Valve—Intake	529	67838	Grommet (90° Angle)			
35		Spring—Valve						

★ Included in Gasket Set—See Ref. No. 358.

**1019 LABEL KIT**

**358 GASKET SET**

**20 ★ 19**



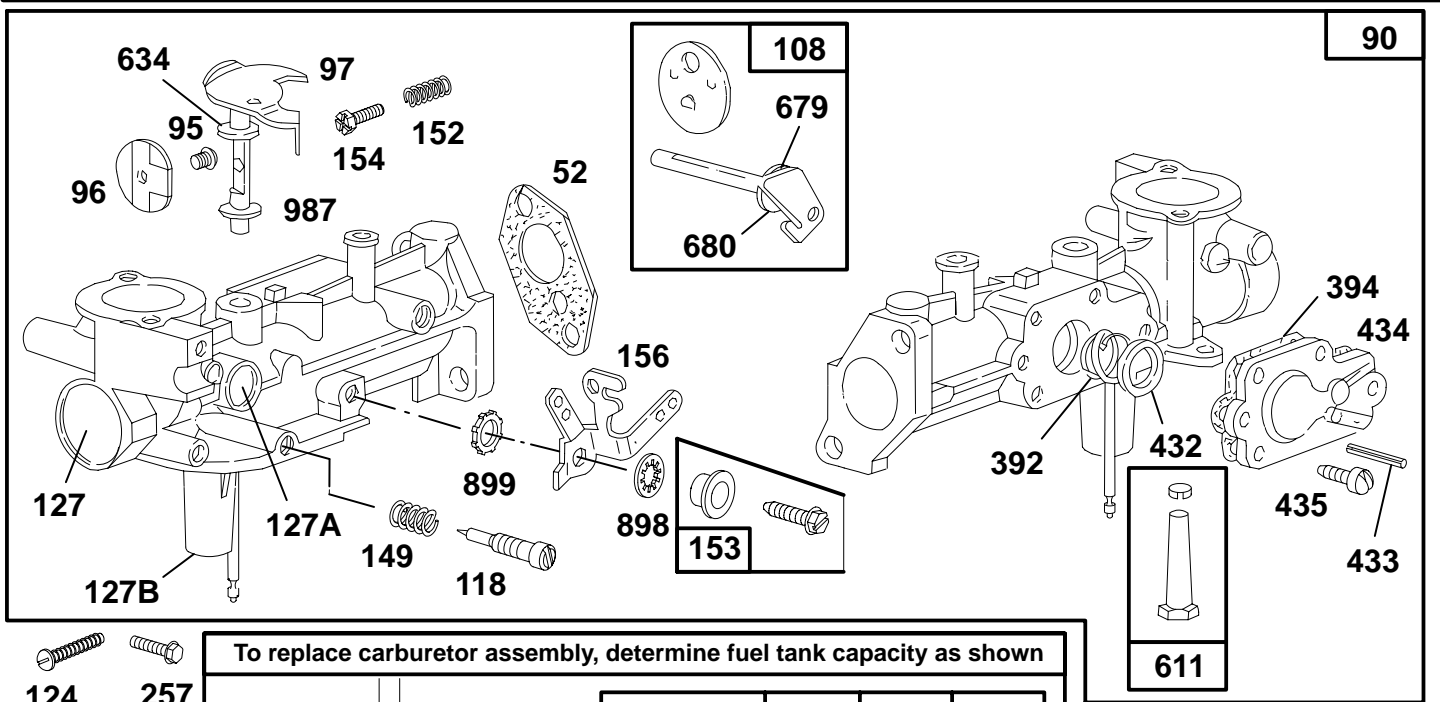
**1058 OWNER'S MANUAL**

**★ REQUIRES SPECIAL TOOLS TO INSTALL. SEE REPAIR INSTRUCTION MANUAL.**

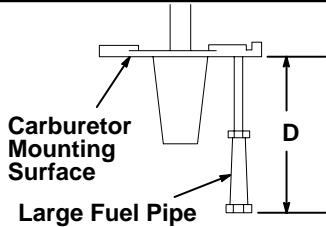
REF. NO.	PART NO.	DESCRIPTION	REF. NO.	PART NO.	DESCRIPTION	REF. NO.	PART NO.	DESCRIPTION
12	★270833	Gasket-Crankcase (.015" Thick, Standard)			<b>See Last Pages.</b>	227	490454	Lever Assy.-Governor (Mechanical Gov.)
	★270895	Gasket-Crankcase (.005" Thick)	27	26026	Lock-Piston Pin	230	222450	Washer-Gov. Lever (Mechanical Gov.)
	★270896	Gasket-Crankcase (.009" Thick)	28	298909	Pin-Piston (Standard)	353	92791	Washer-Lock
18		Cover Crankcase			298908 Pin-Piston (.005" O.S.)	354	90576	Nut-Hex.
19		Bushing	29	294367	Rod-Connecting	358		Gasket Set
20		Seal-Oil			296079 Rod-Connecting (.020" Undersize)			<b>See Last Pages.</b>
21	66768	Plug-Oil Fill	30	220670	Dipper-Connecting Rod	506	90200	Screw-Machine Fillister Hd.
22		Screw-Crankcase Cover Mounting Sem	31	222282	Washer-Conn. Rod	507	66895	Insulator
			32	94404	Screw-Conn. Rod	520	93722	Terminal
			45	230173	Tappet-Valve	562	93613	Bolt-Governor
			46		Gear-Cam	592	231082	Nut-Hex.
					<b>See Last Pages.</b>	614	93306	Cotter Pin
			219		Gear-Governor	615	93307	Retainer-E-Ring
					<b>See Last Pages.</b>	616	231077	Crank-Governor
25		Piston Assy.				1019	491069	Label Kit
						1058	271977	Owner's Manual

★ Included in Gasket Set-See Ref. No. 358.

# 80200 to 80299



To replace carburetor assembly, determine fuel tank capacity as shown



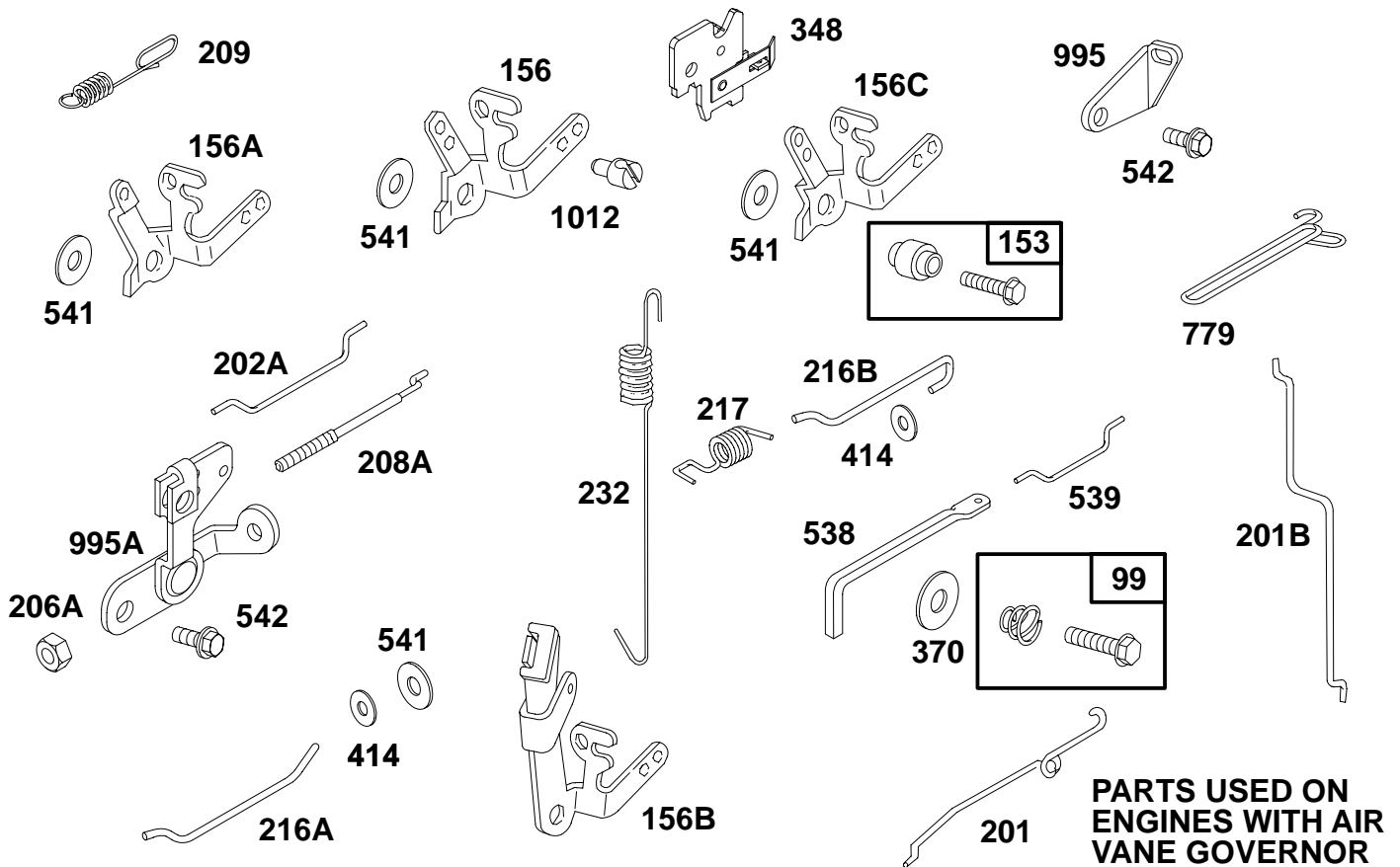
Fuel Tank Capacity (Quarts)	1	2	3
D (Inches)	2-5/16	4-1/4	4-7/8

D=Fuel Pipe Length (Approx.)

**PARTS USED ON ENGINES WITH AIR VANE GOVERNOR**

REF. NO.	PART NO.	DESCRIPTION	REF. NO.	PART NO.	DESCRIPTION	REF. NO.	PART NO.	DESCRIPTION
52	★271936	Gasket-Intake Elbow Mounting			(Used Before Code Date 87011200).	434	214021	Cover-Diaphragm (Used After Code Date 92090600).
90		Carburetor <b>See Last Pages.</b>	149	26336	Spring-Needle Valve			<b>Note</b> _____
95	93499	Screw-Throttle Valve	152	260575	Spring-Adjustment			210959 Cover-Diaph. (Used Before Code Date 92090700).
96	223793	Valve-Throttle	153	490501	Screw and Cam-Carburetor Lever	435	93141	Screw-Diaph. Cover
97		Shaft-Throttle <b>See Last Pages.</b>	154	93527	Screw-Rd. Hd.	611		Pick-up Tube <b>See Last Pages.</b>
108	490495	Valve-Choke	156	492905	Lever-Speed Adjuster	634	271853	Washer-Throttle Shaft (Foam)
118	231533	Valve-Needle	257	93543	Screw-Fillister Hd.	679	270382	Washer-Choke Shaft (Foam)
124	93357	Screw-Hex. Hd.	392	262328	Spring-Diaphragm	680	221839	Washer-Choke Shaft
127	220352	Plug-Welch	394	272538	Diaphragm-Carburetor (Used After Code Date 92090600).	898	92507	Lockwasher-Internal Tooth
127A	223789	Plug-Welch			<b>Note</b> _____	899	93397	Lockwasher-External Tooth
127B	223472	Plug-Welch (Used Before Code Date 89022500 and After Code Date 87011100).	432	221377	Cap-Spring	987	398970	Seal-Throttle Shaft
		<b>Note</b> _____	433	93265	Pin-Diaphragm			
		223790 Plug-Welch			270026 Diaphragm-Carburetor (Used Before Code Date 92090700).			

★ Included in Gasket Set-See Ref. No. 358.

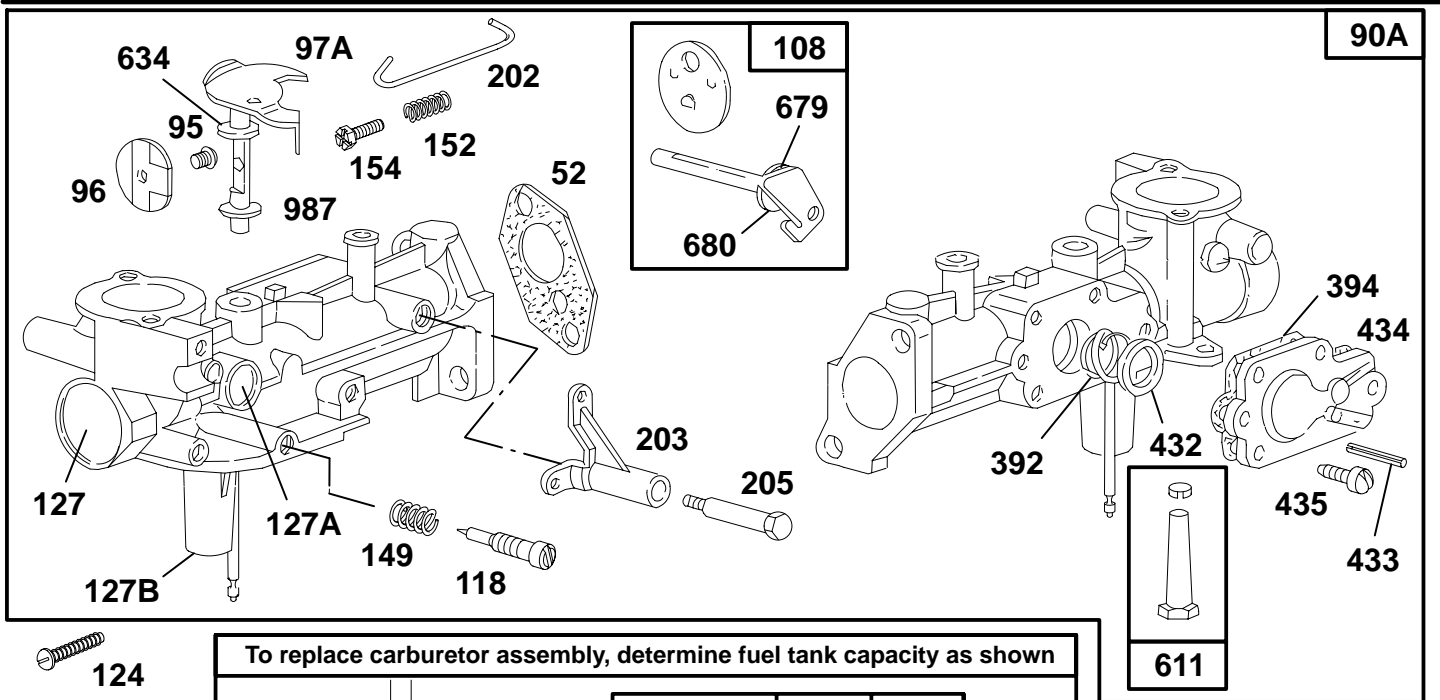


**PARTS USED ON ENGINES WITH AIR VANE GOVERNOR**

REF. NO.	PART NO.	DESCRIPTION	REF. NO.	PART NO.	DESCRIPTION	REF. NO.	PART NO.	DESCRIPTION
99	490956	Spring and Screw	201B	262404	Link	370	66432	Washer—Plain (2)
153	490501	Screw and Cam—Carburetor Lever	202A	262470	Link	414	221198	Washer
156	492905	Lever—Speed Adjuster (Fixed Speed)	206A	94081	Stopnut—Hex.	538	260683	Rod—Control
156A	223857	Lever—Speed Adjuster (Remote or Manual Control)	208A	262321	Rod—Control	539	260684	Link—Rod
156B	223855	Lever—Speed Adjuster (Choke-A-Matic®)	209		Spring—Governor	541	22398	Washer—Speed Adjuster Lever
156C	223980	Lever—Speed Adjuster	216A	262320	Link	542	93572	Screw—Hex. Head
201	262325	Link	216B	262275	Link	779	262570	Link—Control
			217	262281	Spring—Link	995	223887	Bracket—Control Link
			232	262288	Spring—Link	995A	491577	Bracket—Link
			348	296110	Plate Assembly—Stop Switch Insulator	1012	490507	Retainer—Link

★ Included in Gasket Set—See Ref. No. 358.

# 80200 to 80299



124

**To replace carburetor assembly, determine fuel tank capacity as shown**

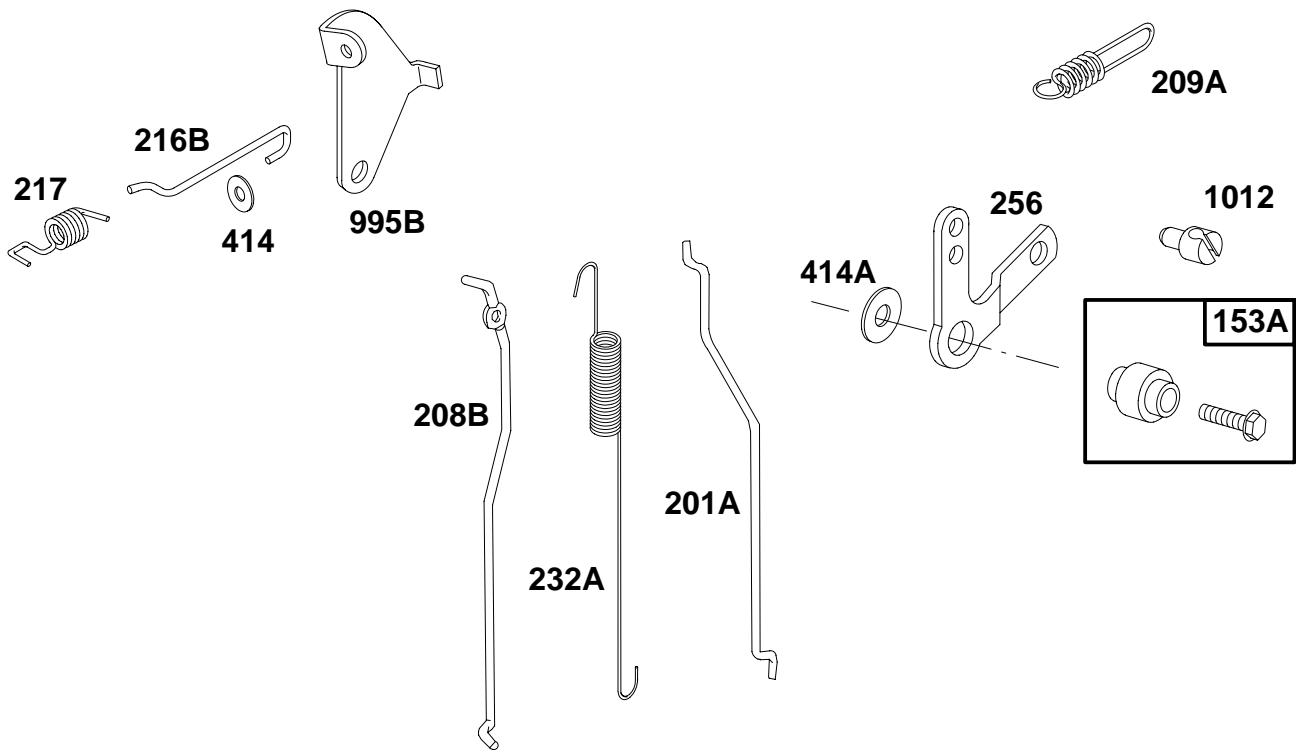
Fuel Tank Capacity (Quarts)	2	3
D (Inches)	4-1/4	4-7/8

D=Fuel Pipe Length (Approx.)

**PARTS USED ON ENGINES WITH MECHANICAL GOVERNOR.**

REF. NO.	PART NO.	DESCRIPTION	REF. NO.	PART NO.	DESCRIPTION	REF. NO.	PART NO.	DESCRIPTION
52	★271936	Gasket-Intake Elbow Mounting (2 Used)				432	221377	Cap-Spring
90A		Carburetor <b>See Last Pages.</b>				433	93265	Pin-Diaphragm
95	93499	Screw-Throttle Valve Mtg.	149	26336	Spring-Needle Valve	434	213963	Cover-Diaphragm (Used After Code Date 92090600).
96	223793	Valve-Throttle	152	260575	Spring-Adjustment			<b>Note</b> 210959 Cover-Diaph. (Used Before Code Date 92090700).
97A	490048	Shaft-Throttle	154	93527	Screw-Rd. Hd.	435	93141	Screw-Diaph. Cover
108	490495	Valve-Choke	202	262270	Link (Mechanical Governor)	611	391813	Pick-up Tube
118	231533	Valve-Needle	203	280720	Crank-Bell (Mechanical Governor)	634	271853	Washer-Throttle Shaft (Foam)
124	93357	Screw-Hex. Hd.	205	231520	Screw-Shoulder	679	270382	Washer-Choke Shaft (Foam)
127	220352	Plug-Welch	392	262328	Spring-Diaphragm	680	221839	Washer-Choke Shaft
127A	223789	Plug-Welch	394	272538	Diaphragm-Carburetor (Used After Code Date 92090600).	987	398970	Seal-Throttle Shaft
127B	223472	Plug-Welch (Used Before Code Date 89022500 and After Code Date 87011100).			<b>Note</b> 270026 Diaphragm (Used Before Code Date 92090700).			

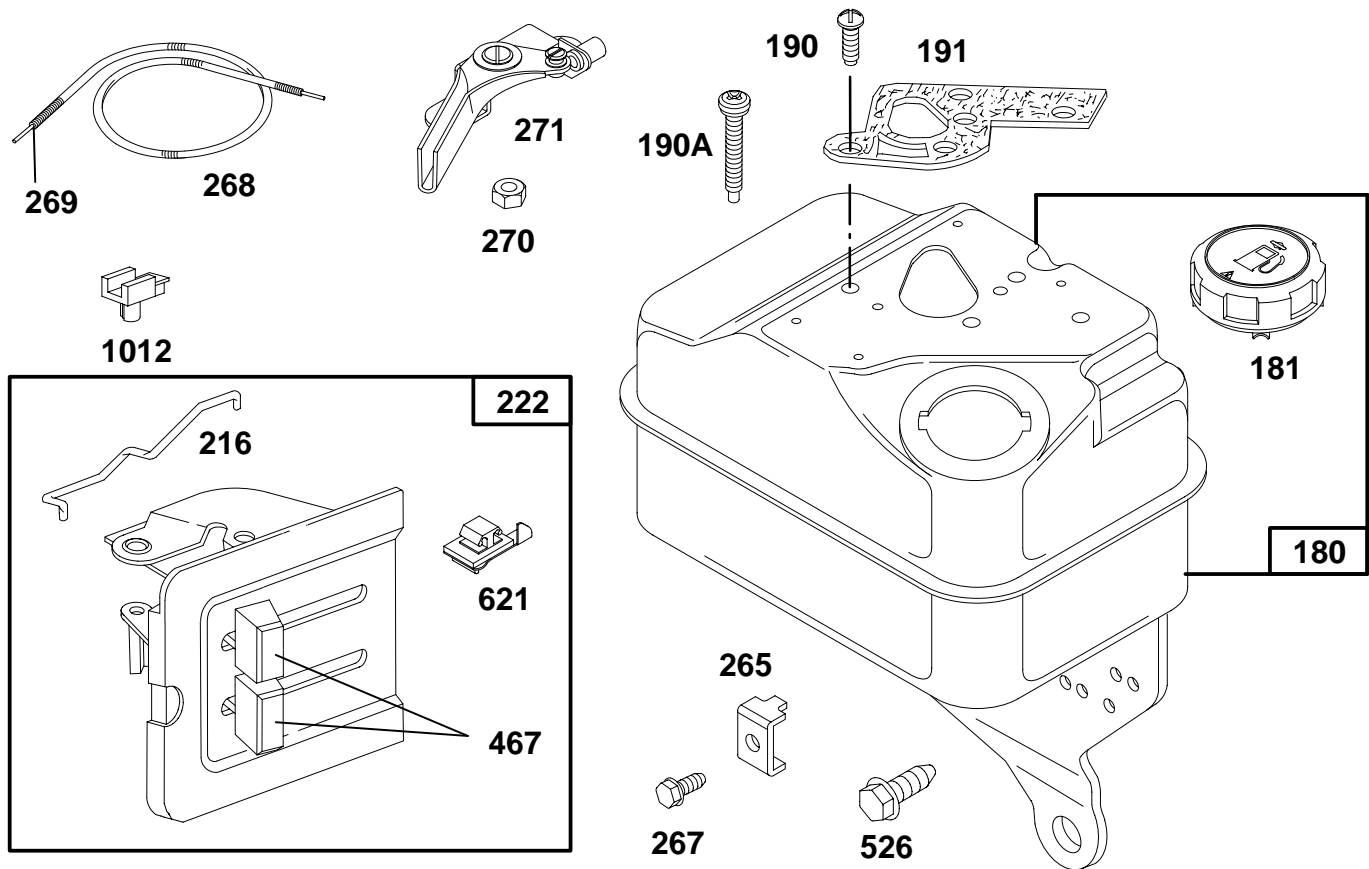
★ Included in Gasket Set-See Ref. No. 358.



REF. NO.	PART NO.	DESCRIPTION	REF. NO.	PART NO.	DESCRIPTION	REF. NO.	PART NO.	DESCRIPTION
153A	490589	Screw and Cam-Carburetor Lever		262290	Spring-Governor	232A	262310	Spring-Link
201A	262278	Link			Used on Type No(s). 8912, 8914.	256	223813	Crank-Bell
208B	492905	Rod-Control		262291	Spring-Governor	414	221198	Washer
209A	262289	Spring-Governor			Used on Type No(s). 4820, 4821, 4823, 8913, 8915, 8918, 8919, 8921, 8923.	414A	220982	Washer
		<b>Note</b>				995B	223814	Bracket-Link
		262285 Spring-Governor		216B	262275 Link	1012	490507	Retainer-Link
		Used on Type No(s). 8844, 8911, 8917, 8920.		217	262281 Spring-Link			

★ Included in Gasket Set-See Ref. No. 358.

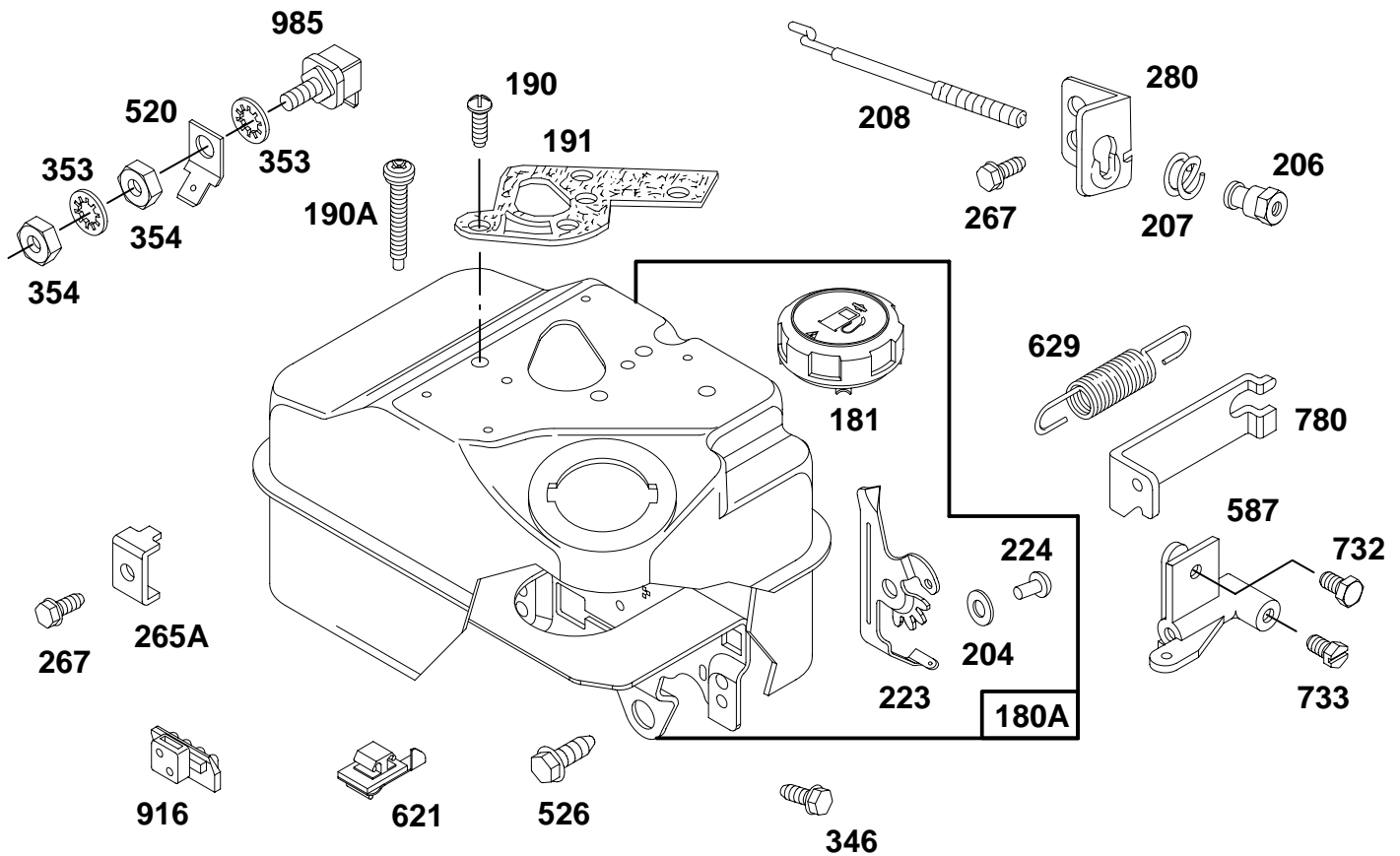
# 80200 to 80299



REF. NO.	PART NO.	DESCRIPTION	REF. NO.	PART NO.	DESCRIPTION	REF. NO.	PART NO.	DESCRIPTION
180		Tank-Fuel <b>See Last Pages.</b>			<b>Note</b> 262274 Link (Used Before Code Date 87030200).			Length in Inches; if a Shorter Casing is Needed, Order Part and Cut to Required Length.
181	490075	Cap-Fuel Tank	222	490648	Bracket-Control	269	26633	Wire-Control (78" Long)
190	94094	Screw-Fuel Tank Mounting	265	221370	Clamp-Casing			<b>Note</b> If Longer Wire is Needed, Specify Length in Inches; if Shorter Wire is Needed, Order Part and Cut to Required Length.
190A	94677	Screw-Fuel Tank Mounting (Used After Code Date 92090600).			<b>Note</b> 221535 Clamp-Casing Used on Type No(s). 2283, 2405, 2416, 4049, 8922.			
191	*272489	Gasket-Fuel Tank Mounting (Used After Code Date 92060600).	267	93496	Screw-Hex. Head			
		<b>Note</b> *271928 Gasket-Fuel Tank Mounting (Used Before Code Date 92060700).			<b>Note</b> 93469 Screw-Hex. Hd. Used on Type No(s). 2283, 2405, 2416, 4049, 8922.	270	63426	Locknut-Casing
216	262359	Link (Used After Code Date 87030100).	268	65616	Casing-Wire (60" Long)	271	290568	Lever-Control
					<b>Note</b> If Longer Casing is Needed, Specify	467	280715	Knob
						526		Screw-Tank Brkt. Mtg. <b>See Last Pages.</b>
						621	396847	Switch-Stop
						1012	490507	Retainer-Link

\* Included in Gasket Set-See Ref. No. 358.

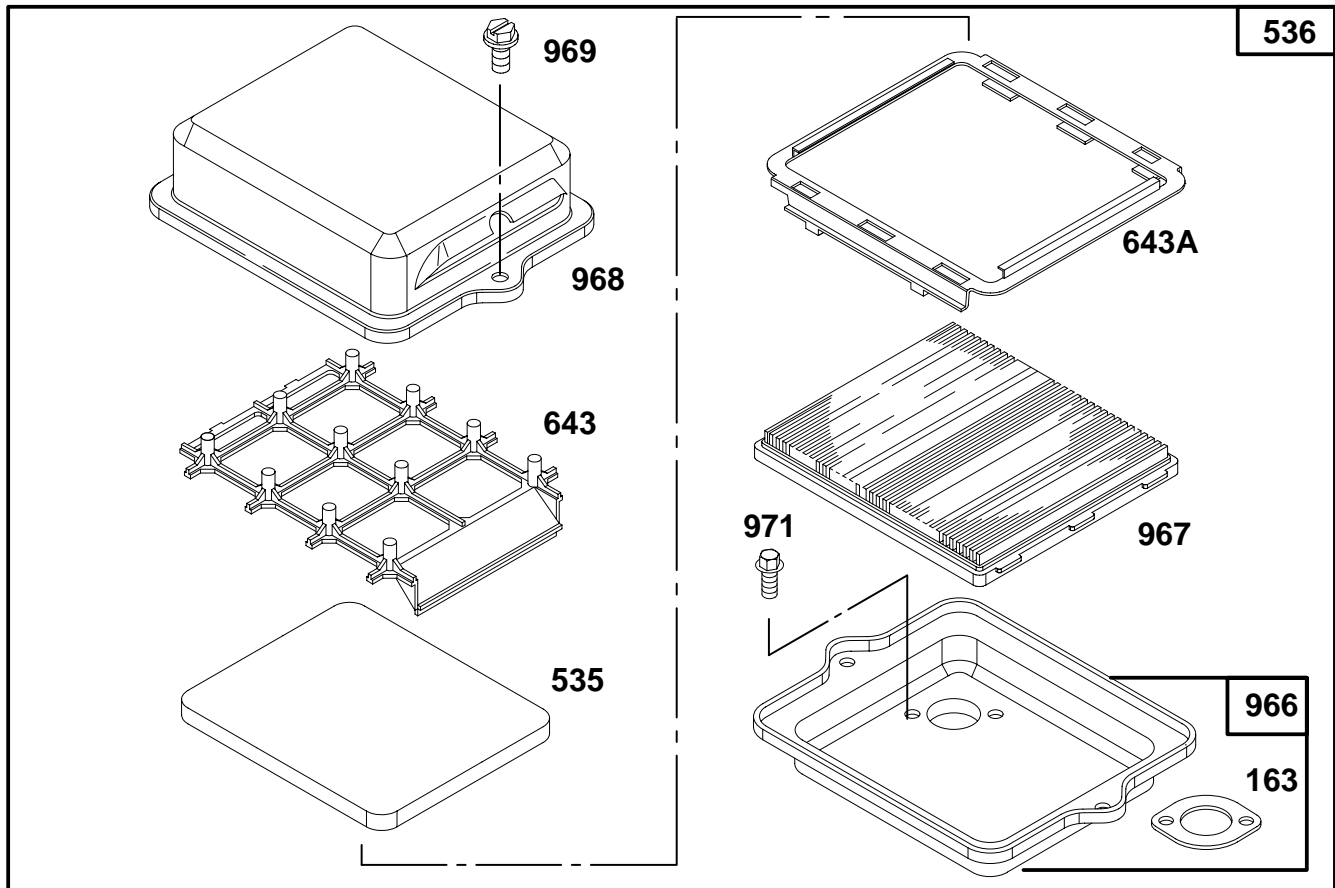




REF. NO.	PART NO.	DESCRIPTION	REF. NO.	PART NO.	DESCRIPTION	REF. NO.	PART NO.	DESCRIPTION
180A		Tank-Fuel <b>See Last Pages.</b>	208	262323	Rod-Control	280		Bracket-Rod <b>See Last Pages.</b>
181	490075	Cap-Fuel Tank	223	223904	Lever-Gov. Control (Used After Code Date 86111500).	353	92791	Washer-Lock
190	94094	Screw-Fuel Tank Mtg.			<b>Note</b>	354	90576	Nut-Hex.
190A	94677	Screw-Fuel Tank Mtg. (Used After Code Date 92090600).			223097 Lever-Gov. (Used Before Code Date 86111600).	520	93722	Terminal
191	★272489	Gasket-Fuel Tank Mtg. (Used After Code Date 92060600).	224	93491	Rivet	526		Screw-Tank Mtg. <b>See Last Pages.</b>
		<b>Note</b>	265A	221535	Clamp-Casing	587	213474	Clamp-Cable
		271928 Gasket-Fuel Tank Mtg. (Used Before Code Date 92060700).	267	93496	Screw-Hex. Head	621	396847	Switch-Stop
204	222962	Bushing-Lever			<b>Note</b>	629	261137	Spring
206	231266	Nut-Control Rod			93469 Screw-Hex. Hd. Used on Type No(s). 2283, 2405, 2416, 4049, 8922.	732	94414	Screw-Hex. Head
207	26855	Spring-Control Rod				733	94415	Screw-Hex. Head
						780	224085	Anchor-Spring
						916	280321	Rack-Governor
								<b>Note</b>
								280324 Rack-Gov. Used on Type No(s). 8920.
						985	398525	Insulator

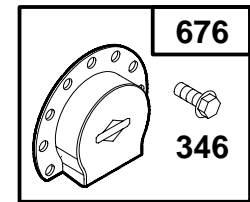
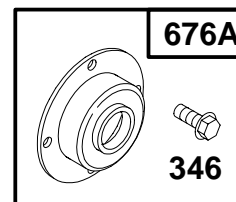
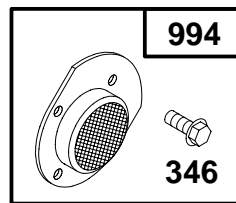
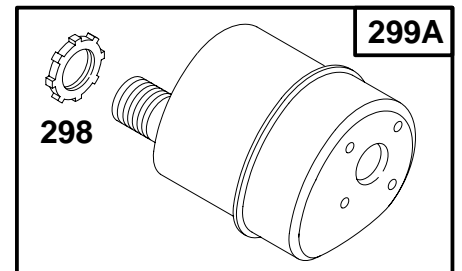
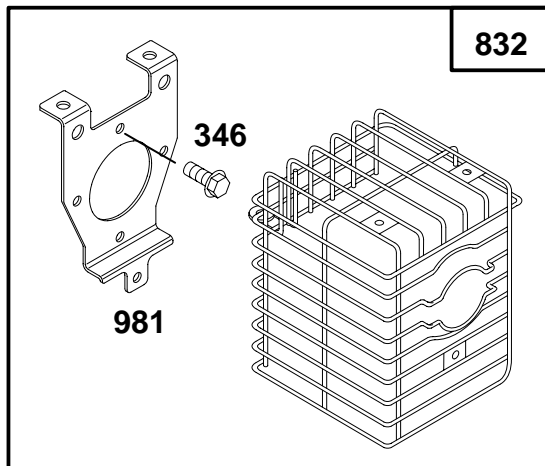
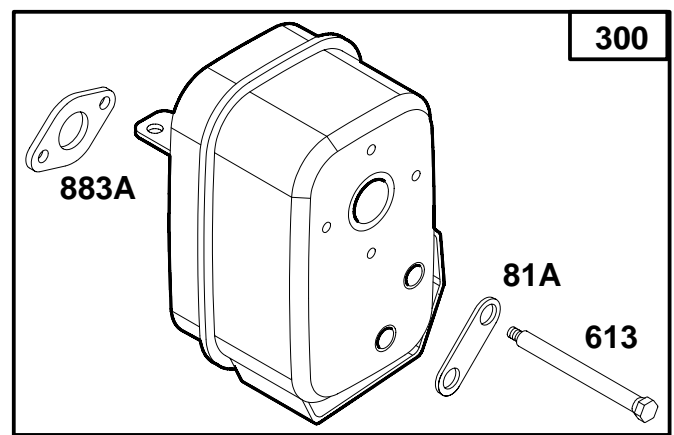
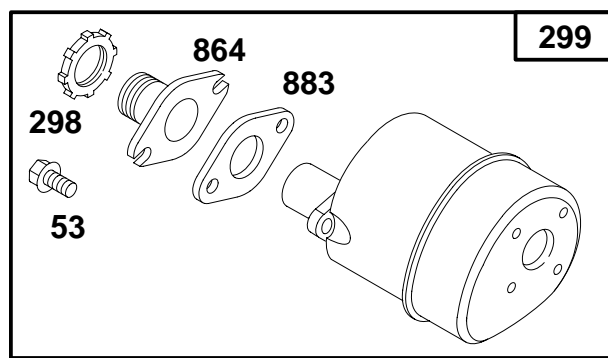
★ Included in Gasket Set-See Ref. No. 358.

# 80200 to 80299



REF. NO.	PART NO.	DESCRIPTION	REF. NO.	PART NO.	DESCRIPTION	REF. NO.	PART NO.	DESCRIPTION
163	★271935	Gasket–Air Cleaner	643A	280726	Retainer–Air Filter	969	490073	Screw–Cover Mtg. (Includes Grommet)
535	491435	Filter–Air	966	492797	Base–Air Cleaner	971	94018	Screw–Air Cleaner
536	494279	Air Cleaner	967	491588	Filter–Air			
643	280737	Retainer–Air Filter	968	223765	Cover–Air Cleaner			

★ Included in Gasket Set–See Ref. No. 358.



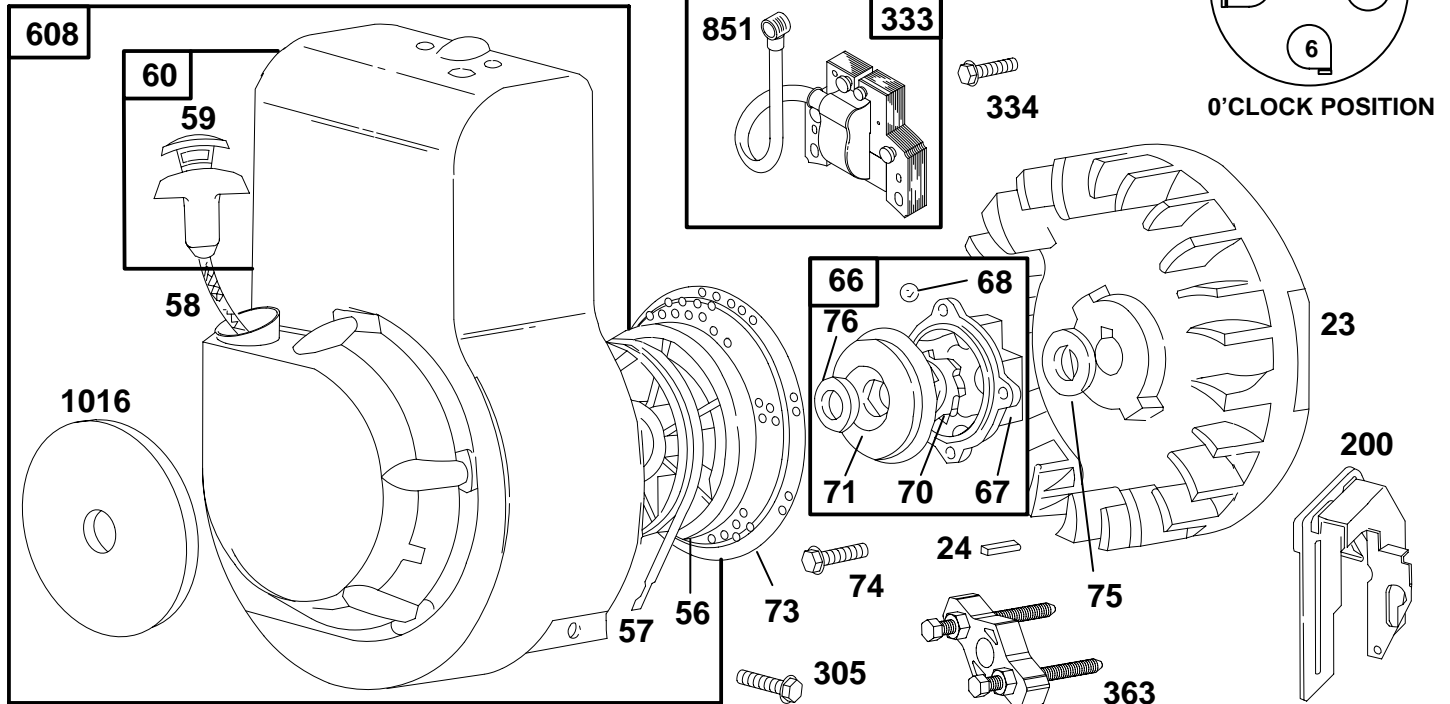
REF. NO.	PART NO.	DESCRIPTION	REF. NO.	PART NO.	DESCRIPTION	REF. NO.	PART NO.	DESCRIPTION
53	94523	Screw-Exhaust						2238, 2281.
81A	223256	Lock-Screw				300	395959	Muffler-Exhaust
298	220859	Locknut-Muffler				303	92989	Elbow-Exhaust
299	493288	Muffler-Exhaust	299A	493288	Muffler-Exhaust (Lo-Tone)	346	93705	Screw-Sem
		<b>Note</b>			<b>Note</b>	613	94042	Screw-Hex. Hd. Shoulder
		493000 Guard-Muffler			493000 Guard-Muffler	676	393760	Deflector-Muffler
		<b>Use(s):</b>			<b>Use(s):</b>	676A	397931	Deflector-Muffler
		94186 Screw (Guard to Muffler Mtg.)			94186 Screw (Guard to Muffler Mounting)	832	490571	Guard-Muffler
		62199 Washer (Guard to Bracket)			62199 Washer (Guard to Bracket)	864	492232	Adapter-Muffler
		93873 Screw (Guard to Bracket Mounting)			93873 Screw (Guard to Bracket Mounting)	883	*272203	Gasket-Exhaust
		Used on Type No(s). 2238, 2281, 2287,			223127 Brace-Muffler (Used on Type No(s).)	883A	*272252	Gasket-Exhaust
						981	223395	Bracket-Muffler
						994	398067	Spark Arrester

\* Included in Gasket Set-See Ref. No. 358.

# 80200 to 80299

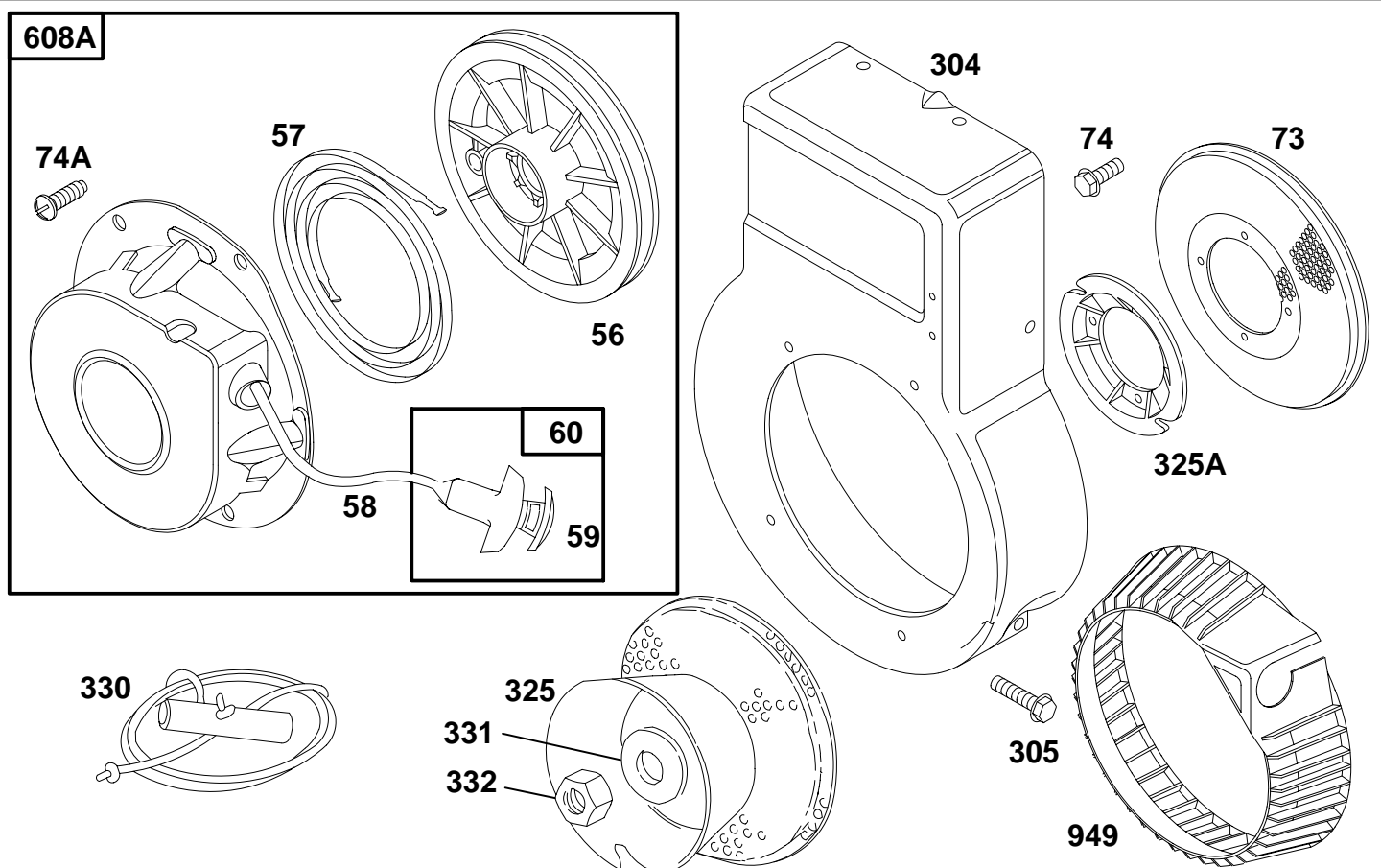
REWIND STARTER ASSEMBLIES CLOCK POSITIONS					
1:30	3	9	10	11	12
*490957	490744	491239	491046	*491315	491728

\*See Text For Specials



REF. NO.	PART NO.	DESCRIPTION	REF. NO.	PART NO.	DESCRIPTION	REF. NO.	PART NO.	DESCRIPTION
23	296884	Flywheel —— <b>Note</b> —— 395653 Flywheel Used on Type No(s). 2236, 2428.	71	394506	Washer—Clutch Ret.	334	93381	Screw—Armature Mtg.
24	222698	Key—Flywheel	73	221661	Screen—Rotating	356	398808	Wire—Stop
56	280439	Pulley—Starter	74	93758	Screw—Rotating Screen Mounting —— <b>Note</b> —— 94062 Screw—Hex. Hd. Used on Type No(s). 2276, 4020, 4038, 4058.	363	19069	Flywheel Puller
57	490179	Spring—Rewind Starter	75	224061	Washer—Spring	608		Starter—Rewind <b>See Chart Above.</b> —— <b>Note</b> —— 491854 Starter— Rewind (11 o'clock) Used on Type No(s). 2346.
58	66734	Rope—Starter (48-5/8") 280399 Rope—Starter If Longer Rope is Needed, Cut to Required Length.	76	68238	Washer—Ratchet Sealing			491963 Starter— Rewind (1:30 o'clock) Used on Type No(s). 2355, 2387.
59	396892	Insert—Starter Grip	200	490529	Blade—Governor	851	221798	Terminal—Cable
60	393152	Grip—Starter Rope	305	93158	Screw—Sem	1016	490817	Spacer
66	399671	Clutch—Starter	333	398593	Armature—Magneto —— <b>Note</b> —— 398428 Armature— Mag. Used for 14-3/8" Ignition Cable.			
67	394897	Housing—Clutch						
68	63770	Ball—Clutch						
70	298799	Ratchet—Clutch						

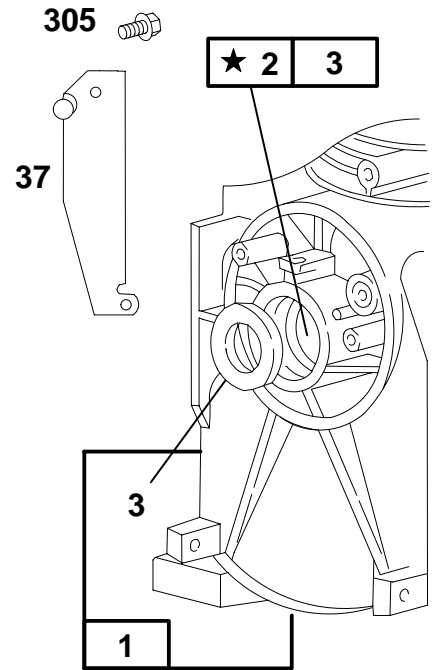
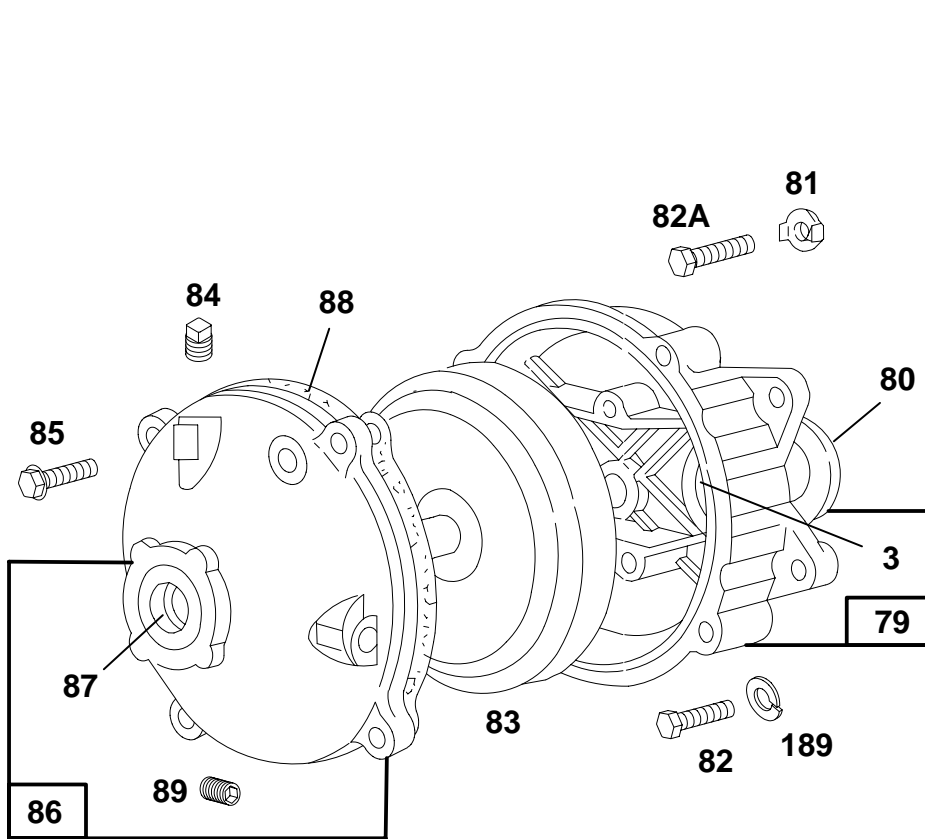
\* Included in Gasket Set—See Ref. No. 358.



REF. NO.	PART NO.	DESCRIPTION	REF. NO.	PART NO.	DESCRIPTION	REF. NO.	PART NO.	DESCRIPTION
56	280439	Pulley—Starter	304	490443	<p align="center"><b>———— Note ———</b></p> <p><b>93067</b> Screw—Starter Mtg. (Used Before Code Date 88030100). <b>For Type Nos. Not Listed Under Ref 304 Below, See Ref. No. 608.</b></p> <p>Housing—Blower (For Rope Starters) Used on Model Series 80201</p> <p>Engines With Spot Welded Rewinds.</p> <p><b>491117</b> Housing—Blower Used on Engines With Bolted Rewind Starters.</p>	305	93158	Screw—Sem
57	490179	Spring—Rewind Starter				325	298731	Pulley—Starter (5/8" Hole in Pulley)
58	66734	Rope—Starter (48–5/8")				325A	280810	Pulley—Starter
	280399	Rope—Starter If Longer Rope is Needed, Cut to Required Length.				330	69932	Rope—Starter
59	396892	Insert—Starter Grip				331	224061	Washer—Spring
60	393152	Grip—Starter Rope				332	92284	Nut—Flywheel
73	221661	Screen—Rotating				608A	494068	Starter—Rewind
74	93758	Screw—Rotating Screen Mounting				949	281192	Guard—Rewind Starter (Used After Code Date 91080400).
74A	94418	Screw—Starter Mtg. (Used After Code Date 88022900).						<p align="center"><b>———— Note ———</b></p> <p><b>280684</b> Guard—Rewind Starter (Used Before Code Date 91080500).</p>

★ Included in Gasket Set—See Ref. No. 358.

# 80200 to 80299



★ **REQUIRES SPECIAL TOOLS TO INSTALL. SEE REPAIR INSTRUCTION MANUAL.**

REF. NO.	PART NO.	DESCRIPTION	REF. NO.	PART NO.	DESCRIPTION	REF. NO.	PART NO.	DESCRIPTION
1	395879	Cylinder Assembly	82	91541	Screw-Cap, Hex. Hd. (7/8" Long)	86	291730	Cover Assembly-Gear Case
2	293708	Bushing	82A	92279	Screw-Cap, Hex. Hd. (1-1/2" Long)	87	★19011	Seal-Oil
3	★299819	Seal-Oil	83	211293	Shaft Assembly-Drive	88	★27313	Gasket-Gear Case Cover
37	220971	Guard-Flywheel	84	92617	Plug-Breather	89	93448	Plug-Oil Drain
79	290779	Case Assembly-Gear	85	92747	Screw-Gear Case Mounting	189	90366	Washer-Lock
80	★27667	Gasket-Gear Case				305	93158	Screw-Sem
81	220234	Lock-Gear Case Mounting Screw						

★ Included in Gasket Set-See Ref. No. 358.

# 80200 to 80299

REF. NO.	PART NO.	DESCRIPTION	REF. NO.	PART NO.	DESCRIPTION	REF. NO.	PART NO.	DESCRIPTION			
13	94547	Screw—Cylinder Head <b>Note</b> <b>93583</b> Stud—Cyl. Head <b>22963</b> Washer Used on Type No(s). 2221, 2222, 2223, 2236, 2237, 2249, 2258, 2261, 2266, 2269, 2283, 2298, 2299, 2300, 2320, 2338, 2340, 2341, 2350, 2353, 2358, 2361, 2363, 2376, 2384, 2391, 2395, 2405, 2408, 2411, 2416, 2421, 2423, 4001, 4003, 4005, 4007, 4010, 4011, 4012, 4013, 4015, 4016, 4017, 4018, 4019, 4021, 4022, 4023, 4031, 4035, 4036, 4039, 4040, 4042, 4044, 4045, 4046, 4048, 4049, 4050, 4051, 4052, 4054, 4057, 4820, 4821, 4823, 8916, 8919, 8922, 8923, 8924.			4010, 4011, 4026, 4033, 4036, 4051, 4052, 4058. <b>492881</b> Crankshaft Used on Type No(s). 2244, 2291, 2334, 2357, 2362, 2402. <b>493599</b> Crankshaft Used on Type No(s). 2203, 2208, 2218, 2224, 2231, 2274, 2278, 2286, 2294, 2309, 2337, 2342, 2354, 2429, 2949, 4005, 4007, 4049, 4050. <b>493619</b> Crankshaft Used on Type No(s). 2937. <b>493632</b> Crankshaft Used on Type No(s). 2235, 2288, 2297, 2305, 2314, 2332, 2369, 2392, 2404, 8911. <b>493633</b> Crankshaft Used on Type No(s). 2202, 2207, 2216, 2217, 2220, 2223, 2229, 2232, 2241, 2242, 2252, 2257, 2260, 2267, 2269, 2270, 2280, 2287, 2293, 2310, 2328, 2329, 2339, 2348, 2350, 2364, 2366, 2376, 2380, 2394, 2397, 2400, 2405, 2407, 2408, 2416, 2421, 2423, 2935, 4014, 4023, 4035, 4041, 8901, 8912, 8922. <b>493767</b> Crankshaft Used on Type No(s). 2214, 2221, 2225, 2234, 2243, 2266, 2273, 2299, 2317, 2318, 2324, 2331, 2333, 2341, 2356, 2358, 2361, 2363, 2377, 2387, 2390, 2419, 2430, 2917, 2918, 4003, 4013, 4017, 4018, 4057, 8920.						<b>493849</b> Crankshaft Used on Type No(s). 2222, 2262, 2295, 2298, 2300, 2327, 2340, 2346, 2355, 2375, 2940, 4030, 4031, 4039, 4040, 4044, 4054, 4046, 4048, 8914. <b>494033</b> Crankshaft Used on Type No(s). 2374, 4820, 4821, 4823, 8844, 8913, 8915, 8918.
16	492880	Crankshaft <b>Note</b> To Replace Crankshaft Gear Pin— Order Part No. <b>230978</b> . <b>397252</b> Crankshaft Used on Type No(s). 2248, 2277, 2349, 2938, 4020, 4038. <b>397256</b> Crankshaft Used on Type No(s). 2939. <b>399006</b> Crankshaft Used on Type No(s). 8916, 8919, 8921, 8923, 8924. <b>492095</b> Crankshaft Used on Type No(s). 2210, 2215, 2226, 2228, 2236, 2245, 2254, 2258, 2259, 2269, 2272, 2279, 2290, 2311, 2315, 2338, 2406, 2413, 2428, 2936, 2941,							<b>18 394820</b> Cover—Crankcase Used on Model Series 80201 and 80202. <b>394879</b> Cover— Crankcase Used on Model Series 80292 . <b>493286</b> Cover— Crankcase Used on Type No(s). 2351, 2393, 4008. <b>394909</b> Cover— Crankcase Used on Model Series 80212 and 80252. <b>395466</b> Cover— Crankcase Used on Type No(s). 8916, 8919, 8921, 8923, 8924. <b>395259</b> Cover— Crankcase Used on Model Series 80232.		
						19	293708	Bushing <b>Note</b> <b>220538</b> Bushing Used on Model Series 80212 and 80252.			
						20	*299819	Seal—Oil <b>Note</b> <b>392838</b> Oil Seal and Spacer Used on Model Series 80212, and 80252. <b>(Except as Listed                      Below)</b> <b>392986</b> Seal—Oil Used on Type No(s). 8916, 8919, 8921, 8923, 8924.			

★ Included in Gasket Set—See Ref. No. 358.

# 80200 to 80299

REF. NO.	PART NO.	DESCRIPTION	REF. NO.	PART NO.	DESCRIPTION	REF. NO.	PART NO.	DESCRIPTION
		<b>393812</b> Seal—Oil Used on Model Series 80232.			(.010" O.S.)			<b>230127</b> Retainer—Valve (Used Before Code Date 90051400). Used on Type No(s). 2250, 2279, 2290, 2327, 2935, 2936, 2937, 2938, 2939, 2940, 2949, 4026, 8844, 8912.
		<b>393862</b> Seal—Oil Used on Model Series 80202 and 80212. Used on Type No(s). 2337, 4005, 8911, 8920.	<b>33</b>	<b>296676</b>	<b>294225</b> Ring Set (.020" O.S.) <b>294226</b> Ring Set (.030" O.S.) Valve—Exhaust ———— <b>Note</b> ———— <b>262581</b> Valve—Exhaust (Used After Code Date 90051300). <b>260442</b> Valve—Exhaust (With Hole in Stem) (Used Before Code Date 90051400). Used on Type No(s). 2250, 2279, 2290, 2327, 2935, 2936, 2937, 2938, 2939, 2940, 2949, 4026, 4033, 8844, 8912.	<b>46</b>	<b>491676</b>	<b>211337</b> Gear—Cam Used on Type No(s). 2351, 2372, 2374, 2393, 4008. <b>493747</b> Gear—Cam Used on Type No(s). 2236, 2428. <b>494713</b> Gear—Cam Used on Type No(s). 2347, 2398.
<b>22</b>	<b>93032</b>	Screw—Crkcse. Cover ———— <b>Note</b> ———— <b>92747</b> Screw—Crkcse. Used in Two Top Holes to Mount Cover. Used on Model Series 80212 and 80252.	<b>35</b>	<b>260552</b>	Spring—Valve ———— <b>Note</b> ———— <b>262750</b> Spring Exhaust Valve (Used After Code Date 90051300). <b>26826</b> Spring—Exhaust Valve (Used Before Code Date 90051400). Used on Type No(s). 2250, 2279, 2290, 2327, 2935, 2936, 2937, 2938, 2939, 2940, 2949, 4026, 4033, 8844, 8912.	<b>90</b>	<b>495459</b>	Carburetor (For 2 Quart Tank) (Used After Code Date 92090600). <b>492645</b> Carburetor (For 2 Quart Tank) (Used Before Code Date 92090700). ———— <b>Note</b> ———— <b>495460</b> Carb. Assy. (For 3 Quart Tank) <b>495461</b> Carb. Assy. (For 1 Quart Tank)
		<b>93656</b> Stud			<b>262750</b> Spring Exhaust Valve (Used After Code Date 90051300). <b>26826</b> Spring—Exhaust Valve (Used Before Code Date 90051400). Used on Type No(s). 2250, 2279, 2290, 2327, 2935, 2936, 2937, 2938, 2939, 2940, 2949, 4026, 4033, 8844, 8912.	<b>90A</b>	<b>495458</b>	Carburetor Assy. (For 2 Quart Tank) ———— <b>Note</b> ———— <b>495457</b> Carb. Assy. (For 3 Quart Tank) (Used After Code Date 92090600). <b>492643</b> Carb. Assy. (For 3 Quart Tank) (Used Before Code Date 92090700).
		<b>90832</b> Washer—Lock Used on Type No(s). 2212, 2269, 2288, 2299, 2332, 2341, 2346, 2366, 2385, 2391, 4001, 4014, 4015, 4016, 4017, 4018, 4019, 4021, 4023, 4031, 4036, 4039, 4040, 4044, 4046, 4048, 4057, 8911, 8920.	<b>40</b>	<b>93312</b>	Retainer—Valve ———— <b>Note</b> ———— <b>491442</b> Retainer—Valve (Used After Code Date 90051300). <b>292259</b> Retainer—Valve <b>230126</b> Pin—Valve Retainer			
<b>25</b>	<b>295587</b>	Piston Assy. (Std.)						
		<b>295588</b> Piston Assy. (.010" O.S.)						
		<b>295589</b> Piston Assy. (.020" O.S.)						
		<b>295590</b> Piston Assy. (.030" O.S.)						
<b>26</b>	<b>294232</b>	Ring Set (Std.)						
		<b>297201</b> Ring Set (Std. Chrome)						
		<b>294224</b> Ring Set						

★ Included in Gasket Set—See Ref. No. 358.



# 80200 to 80299

REF. NO.	PART NO.	DESCRIPTION	REF. NO.	PART NO.	DESCRIPTION	REF. NO.	PART NO.	DESCRIPTION
97	495313	Shaft–Throttle (Used After Code Date 92090600). ———— <b>Note</b> ——— <b>490371</b> Shaft–Throttle (Used Before Code Date 92090700).			2271, 2273, 2279, 2280, 2282, 2311, 2315, 2328, 2337, 2338, 2342, 2412, 2428, 2429, 2432, 2941.			2235, 2236, 2258, 2267, 2268, 2269, 2283, 2293, 2297, 2298, 2300, 2311, 2314, 2315, 2316, 2333, 2340, 2341, 2346, 2348, 2358, 2364, 2376, 2381, 2384, 2392, 2396, 2406, 2413, 2426, 2428, 2432, 2915, 2918, 4001, 4007, 4010, 4012, 4014, 4015, 4016, 4018, 4021, 4030, 4031, 4033, 4035, 4036, 4051, 4052, 8924.
180	495377	Tank–Fuel (2 Quart) (Air Vane) (Used After Code Date 92090600). <b>490502</b> Tank–Fuel (2 Quart) (Air Vane) (Used Before Code Date 92090700). ———— <b>Note</b> ——— <b>224009</b> Tank Repair Kit (Used Before Code Date 88050800). Used on Type No(s). 2276.  <b>495368</b> Tank–Fuel (1 Quart) Used on Type No(s). 2234, 2265, 2268, 2283, 2288, 2297, 2298, 2300, 2314, 2318, 2332, 2333, 2347, 2351, 2356, 2382, 2392, 2393, 2406, 2919, 4008, 4013, 4019, 4042. <b>495391</b> Tank–Fuel (3 Quart) Used on Type No(s). 2204, 2206, 2207, 2208, 2217, 2218, 2220, 2222, 2226, 2228, 2231, 2242, 2254, 2259, 2270,	180A	495376	Tank –Fuel (2 Quart) ———— <b>Note</b> ——— <b>495388</b> Tank–Fuel (3 Quart) Used on Type No(s). 2237, 2284, 4001, 4005, 4010, 4012, 4021, 4031, 4026, 4039, 4052, 4820, 4821, 8901, 8913, 8915.			262392 Spring–Gov. Used on Type No(s). 2377, 2430.
			209	262317	Spring–Governor ———— <b>Note</b> ——— <b>260041</b> Spring–Gov. Used on Type No(s). 2213, 2218, 2225, 2227, 2233, 2234, 2242, 2243, 2251, 2255, 2273, 2275, 2276, 2277, 2305, 2310, 2313, 2314, 2317, 2323, 2326, 2327, 2330, 2337, 2345, 2347, 2352, 2356, 2369, 2380, 2382, 2383, 2390, 2393, 2404, 2431, 4003, 4005, 4013, 4034, 4038, 4041, 4045, 4046, 4057, 4058. <b>262391</b> Spring–Gov. Used on Type No(s). 2215, 2217, 2221, 2222, 2226, 2229,	219	494845	Gear–Governor (Mechanical Governor) (Used After Code Date 91060900). ———— <b>Note</b> ——— <b>391737</b> Gear–Gov. (Used Before Code Date 91061000).
						280	223235	Bracket–Control ———— <b>Note</b> ——— <b>223798</b> Bracket– Control Used on Type No(s). 4003, 4007, 4017, 4020, 4033, 4034, 4035, 4036, 4037, 4038, 4040, 4041, 4045, 4046, 4049, 4050, 4051, 4823, 8901, 8916, 8919, 8921, 8923.

★ Included in Gasket Set–See Ref. No. 358.

# 80200 to 80299

REF. NO.	PART NO.	DESCRIPTION	REF. NO.	PART NO.	DESCRIPTION	REF. NO.	PART NO.	DESCRIPTION
337	298809	Plug-Spark (With Gasket) (1-1/2" High, 38 mm). ———— <b>Note</b> ———— <b>293918</b> Plug-Spark (Resistor Type With Gasket) (1-1/2" High, 38 mm). <b>492167</b> Plug-Spark (1-7/8" High, 48 mm). <b>802592</b> Plug-Spark (Resistor Type) (1-7/8" High, 48 mm).			4007, 4010, 4011, 4012, 4016, 4017, 4020, 4021, 4022, 4026, 4031, 4033, 4034, 4035, 4036, 4037, 4038, 4039, 4040, 4041, 4044, 4045, 4046, 4048, 4049, 4050, 4051, 4052, 4057, 4058, 4820, 4821, 4823.			<b>Use(s):</b> <b>66432</b> Washer Used on Type No(s). 2221, 2234, 2265, 2268, 2282, 2283, 2288, 2297, 2298, 2300, 2314, 2318, 2332, 2333, 2347, 2351, 2356, 2382, 2392, 2393, 2406, 2919, 4008, 4013, 4019, 4042.
356	398808	Wire-Stop ———— <b>Note</b> ———— <b>399223</b> Wire-Stop Used on Type No(s). 4033. <b>490346</b> Wire-Stop (Dual Stop) Used on Type No(s). 2313, 2366, 2398, 2405, 2407, 4001, 4002, 4003, 4005,	358	495602	Gasket Set (Used After Code Date 92060700). ———— <b>Note</b> ———— <b>397144</b> Gasket Set (Used Before Code Date 92060800).	611	391813	Tube-Pick-up ———— <b>Note</b> ———— <b>297219</b> Tube-Pick-up Used on Type No(s). 2234, 2265, 2268, 2282, 2283, 2288, 2298, 2318, 2347, 2382, 2392, 2393, 2406, 2919, 4013, 4019, 4042.
			526	94408	Screw-Tank Bracket Mounting ———— <b>Note</b> ———— <b>93686</b> Screw-Tank Bracket			

★ Included in Gasket Set—See Ref. No. 358.